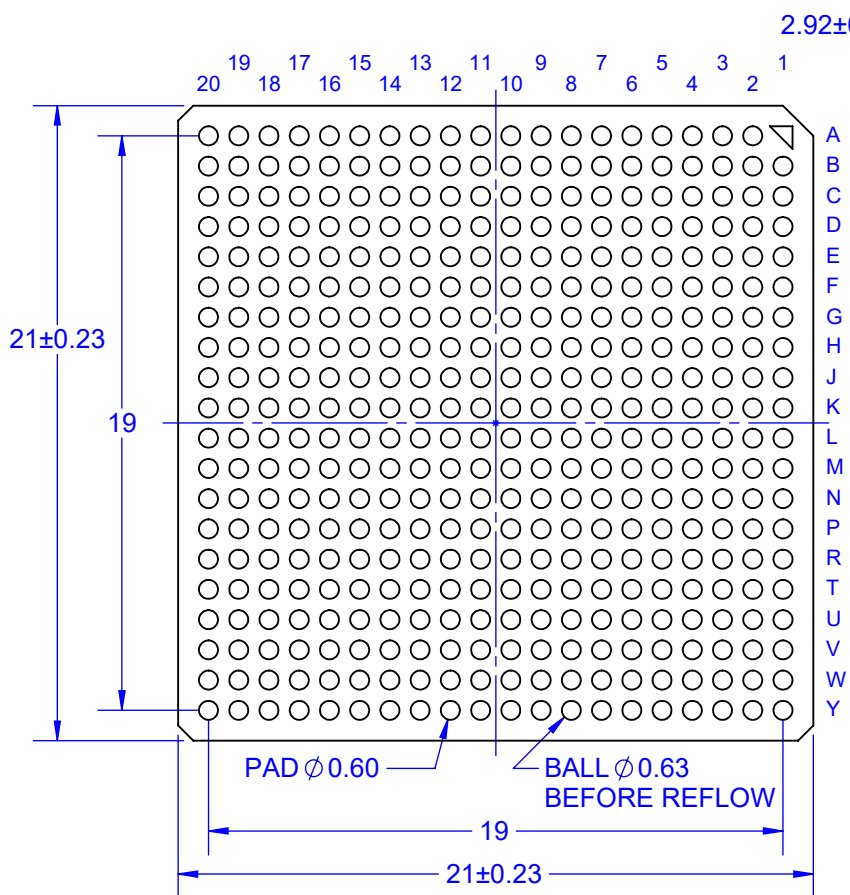
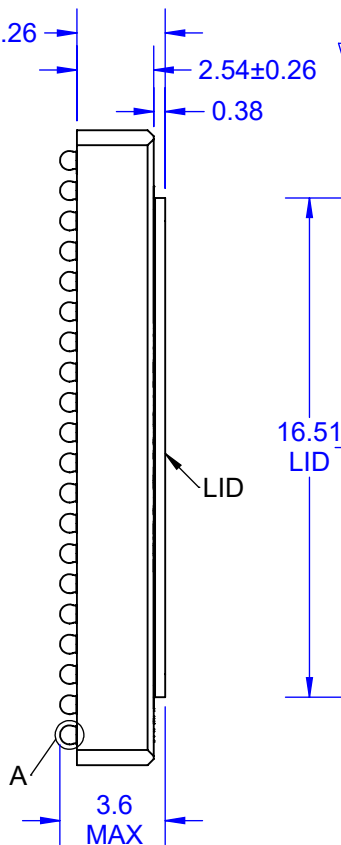


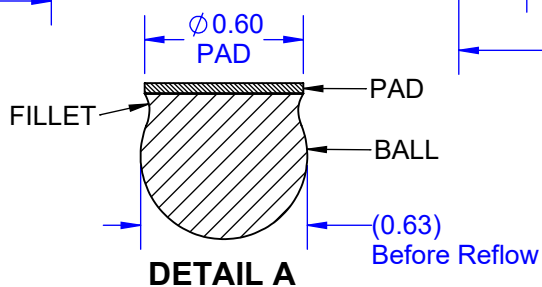
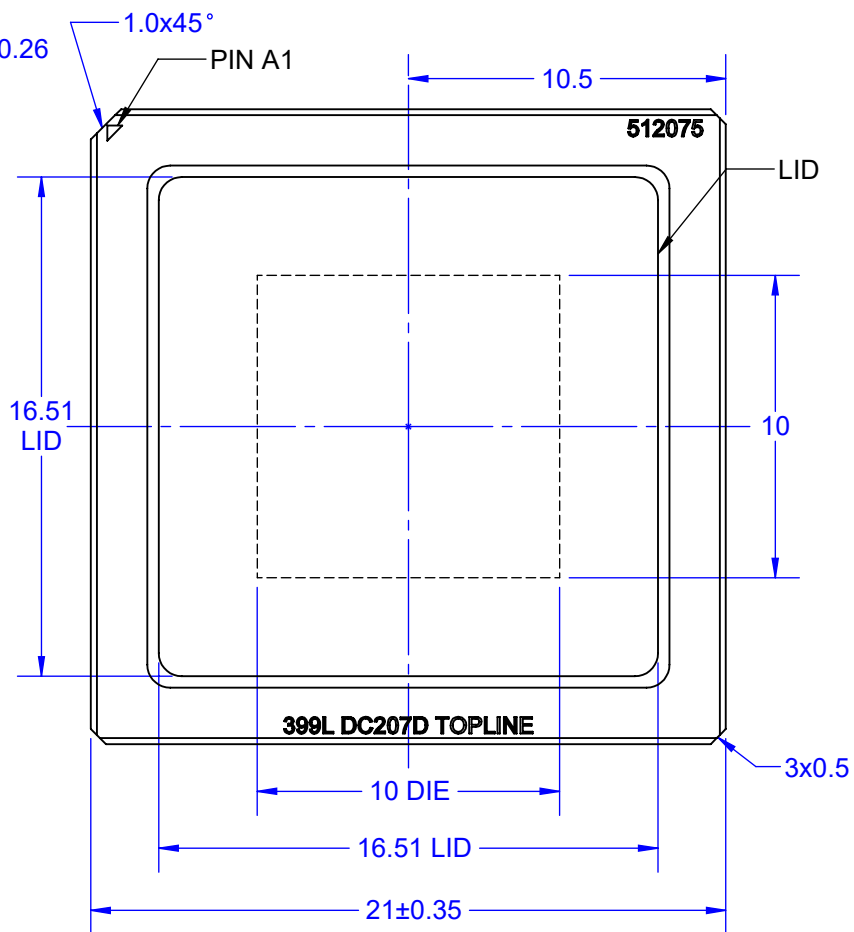
BOTTOM VIEW



SIDE VIEW




TOP VIEW



Notes: (Unless Otherwise Specified).
1) DIMENSIONS MM.

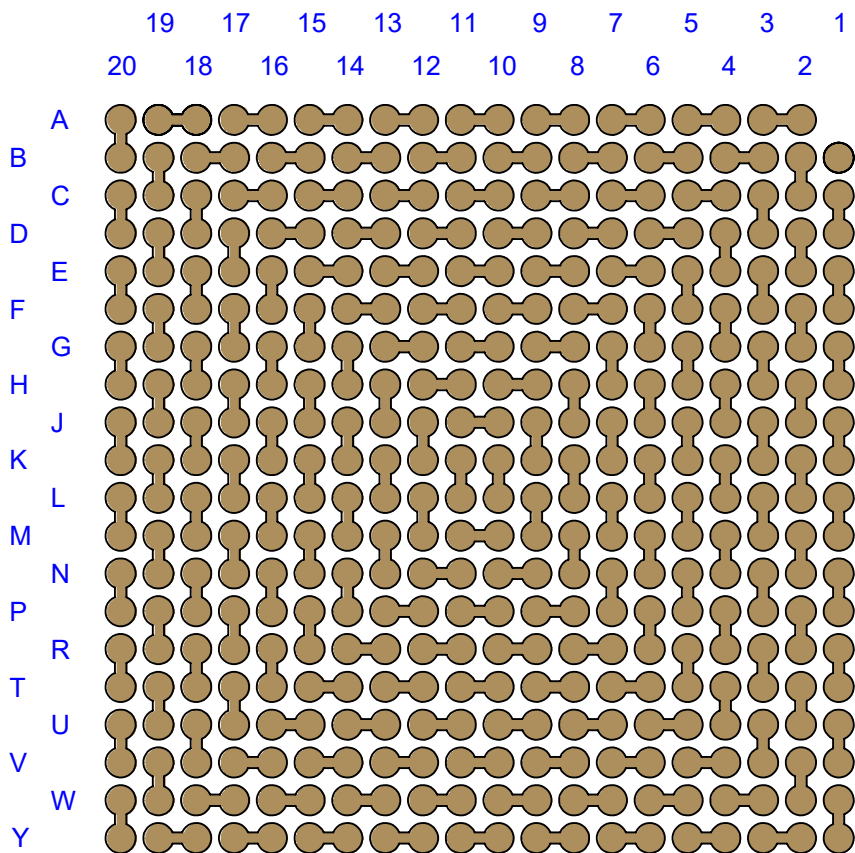
PART NUMBER OPTIONS

| PART NUMBER | LEAD FREE | SOLDER BALL | FILLET |
|---------------------|-----------|----------------------|-------------|
| CBGA399T1.0-DC207D | NO | Sn10 / Pb90 | Sn63 / Pb37 |
| CBGA399T1.0X-DC207D | NO | Sn63 / Pb37 | Sn63 / Pb37 |
| CBGA399T1.0L-DC207D | NO | Sn62 / Pb36 / Ag2.0 | Sn63 / Pb37 |
| CBGA399T1.0C-DC207D | YES | Sn96 / Ag3.5 / Cu0.5 | SAC305 |

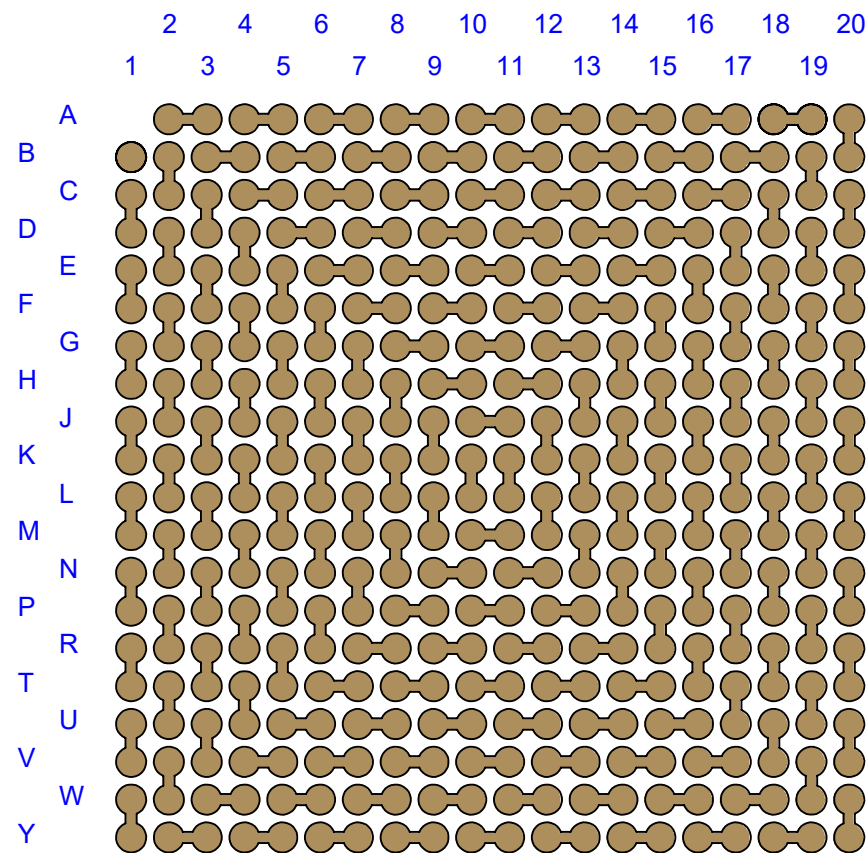
| APPROVALS | DATE |  | | | |
|-------------|------------|---|--------|--------------------|--------------|
| DRAWN T.Au | 08/20/2022 | | | | |
| ENG M. Hart | 08/20/2022 | TITLE CBGA399T1.0X-DC207D DAISY CHAIN CERAMIC BALL GRID ARRAY | | | |
| MFG | | SCALE 4:1 | SIZE A | DRAWING NO. 512075 | REV A |
| QA | | DO NOT SCALE DRAWING | | | SHEET 1 OF 4 |
| CUST | | | | | |
| REVISED | | | | | |

DAISY CHAIN PATTERN

BALL VIEW



BOTTOM X-RAY VIEWED FROM TOP



TopLine®

TITLE CBGA399T1.0X-DC207D
DAISY CHAIN CERAMIC BALL GRID ARRAY

| | | | |
|--------------|-----------|-----------------------|----------|
| SCALE 5:1 | SIZE A | DRAWING NO. 512075 | REV A |
|--------------|-----------|-----------------------|----------|

DO NOT SCALE DRAWING

SHEET 2 OF 4

NET LIST DAISY CHAIN CONNECTION TABLE

| DC PAIR | |
|---------|-----|
| A2 | A3 |
| A4 | A5 |
| A6 | A7 |
| A8 | A9 |
| A10 | A11 |
| A12 | A13 |
| A14 | A15 |
| A16 | A17 |
| A18 | A19 |
| A20 | B20 |
| B2 | C2 |
| B3 | B4 |
| B5 | B6 |
| B7 | B8 |
| B9 | B10 |
| B11 | B12 |
| B13 | B14 |
| B15 | B16 |
| B17 | B18 |
| B19 | C19 |
| C1 | D1 |
| C3 | D3 |
| C4 | C5 |
| C6 | C7 |
| C8 | C9 |
| C10 | C11 |
| C12 | C13 |
| C14 | C15 |
| C16 | C17 |
| C18 | D18 |
| C20 | D20 |
| D2 | E2 |
| D4 | E4 |
| D5 | D6 |
| D7 | D8 |
| D9 | D10 |
| D11 | D12 |
| D13 | D14 |

| DC PAIR | |
|---------|-----|
| D15 | D16 |
| D17 | E17 |
| D19 | E19 |
| E1 | F1 |
| E3 | F3 |
| E5 | F5 |
| E6 | E7 |
| E8 | E9 |
| E10 | E11 |
| E12 | E13 |
| E14 | E15 |
| E16 | F16 |
| E18 | F18 |
| E20 | F20 |
| F2 | G2 |
| F4 | G4 |
| F6 | G6 |
| F7 | F8 |
| F9 | F10 |
| F11 | F12 |
| F13 | F14 |
| F15 | G15 |
| F17 | G17 |
| F19 | G19 |
| G1 | H1 |
| G3 | H3 |
| G5 | H5 |
| G7 | H7 |
| G8 | G9 |
| G10 | G11 |
| G12 | G13 |
| G14 | H14 |
| G16 | H16 |
| G18 | H18 |
| G20 | H20 |
| H2 | J2 |
| H4 | J4 |
| H6 | J6 |

| DC PAIR | |
|---------|-----|
| H8 | J8 |
| H9 | H10 |
| H11 | H12 |
| H13 | J13 |
| H15 | J15 |
| H17 | J17 |
| H19 | J19 |
| J1 | K1 |
| J3 | K3 |
| J5 | K5 |
| J7 | K7 |
| J9 | K9 |
| J10 | J11 |
| J12 | K12 |
| J14 | K14 |
| J16 | K16 |
| J18 | K18 |
| J20 | K20 |
| K2 | L2 |
| K4 | L4 |
| K6 | L6 |
| K8 | L8 |
| K10 | L10 |
| K11 | L11 |
| K13 | L13 |
| K15 | L15 |
| K17 | L17 |
| K19 | L19 |
| L1 | M1 |
| L3 | M3 |
| L5 | M5 |
| L7 | M7 |
| L9 | M9 |
| L12 | M12 |
| L14 | M14 |
| L16 | M16 |
| L18 | M18 |
| L20 | M20 |

| DC PAIR | |
|---------|-----|
| M2 | N2 |
| M4 | N4 |
| M6 | N6 |
| M8 | N8 |
| M10 | M11 |
| M13 | N13 |
| M15 | N15 |
| M17 | N17 |
| M19 | N19 |
| N1 | P1 |
| N3 | P3 |
| N5 | P5 |
| N7 | P7 |
| N9 | N10 |
| N11 | N12 |
| N14 | P14 |
| N16 | P16 |
| N18 | P18 |
| N20 | P20 |
| P2 | R2 |
| P4 | R4 |
| P6 | R6 |
| P8 | P9 |
| P10 | P11 |
| P12 | P13 |
| P15 | R15 |
| P17 | R17 |
| P19 | R19 |
| R1 | T1 |
| R3 | T3 |
| R5 | T5 |
| R7 | R8 |
| R9 | R10 |
| R11 | R12 |
| R13 | R14 |
| R16 | T16 |
| R18 | T18 |
| R20 | T20 |

| DC PAIR | |
|---------|-----|
| T2 | U2 |
| T4 | U4 |
| T6 | T7 |
| T8 | T9 |
| T10 | T11 |
| T12 | T13 |
| T14 | T15 |
| T17 | U17 |
| T19 | U19 |
| U1 | V1 |
| U3 | V3 |
| U5 | U6 |
| U7 | U8 |
| U9 | U10 |
| U11 | U12 |
| U13 | U14 |
| U15 | U16 |
| U18 | V18 |
| U20 | V20 |
| V2 | W2 |
| V4 | V5 |
| V6 | V7 |
| V8 | V9 |
| V10 | V11 |
| V12 | V13 |
| V14 | V15 |
| V16 | V17 |
| V19 | W19 |
| W1 | Y1 |
| W3 | W4 |
| W5 | W6 |
| W7 | W8 |
| W9 | W10 |
| W11 | W12 |
| W13 | W14 |
| W15 | W16 |
| W17 | W18 |
| W20 | Y20 |

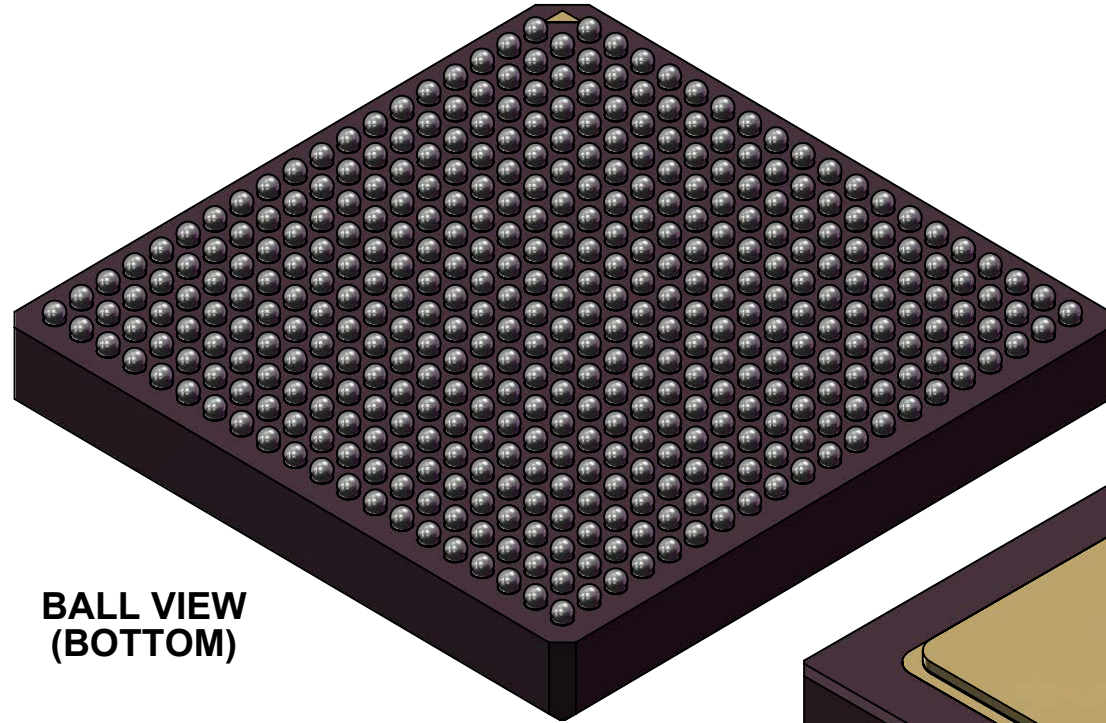
| DC PAIR | |
|---------|-----|
| Y2 | Y3 |
| Y4 | Y5 |
| Y6 | Y7 |
| Y8 | Y9 |
| Y10 | Y11 |
| Y12 | Y13 |
| Y14 | Y15 |
| Y16 | Y17 |
| Y18 | Y19 |

| NC | |
|----|--|
| A1 | |
| B1 | |

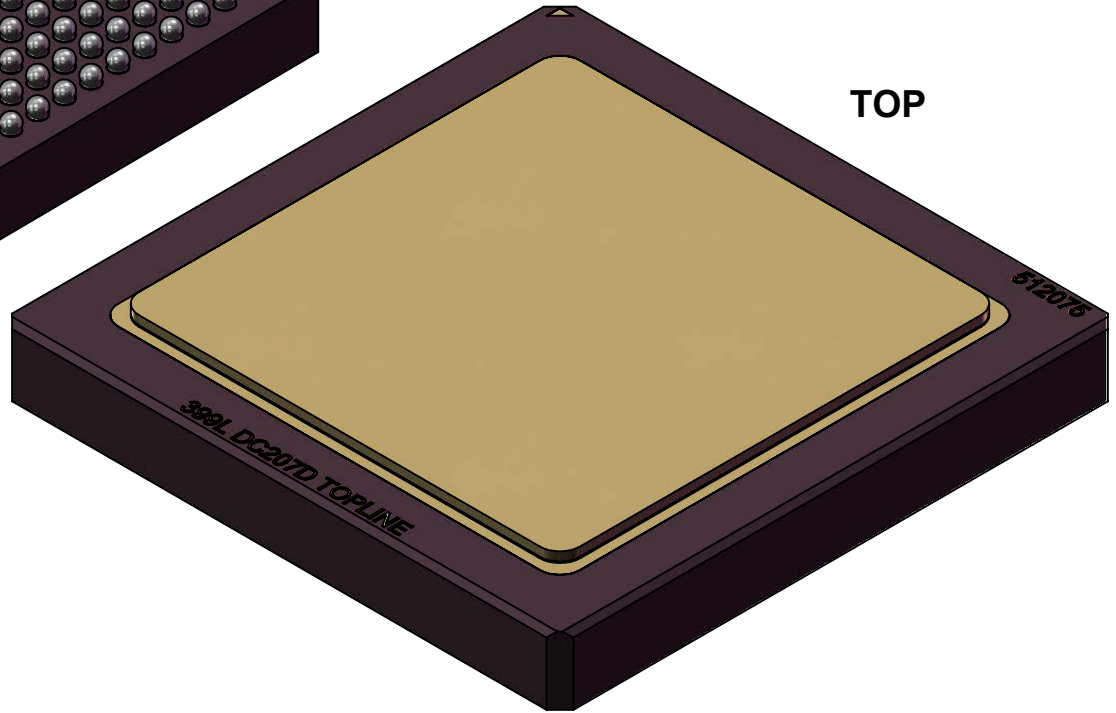
| NC | |
|-----|--|
| D/A | |
| S/R | |

| | | | |
|---|------|-------------|--------------|
| TopLine® | | | |
| TITLE CBGA399T1.0X-DC207D DAISY CHAIN CERAMIC BALL GRID ARRAY | | | |
| SCALE | SIZE | DRAWING NO. | REV |
| NONE | A | 512075 | A |
| DO NOT SCALE DRAWING | | | SHEET 3 OF 4 |

MODEL



**BALL VIEW
(BOTTOM)**



TOP

TopLine®

TITLE CBGA399T1.0X-DC207D
DAISY CHAIN CERAMIC BALL GRID ARRAY

| SCALE | SIZE | DRAWING NO. | REV |
|-------|------|-------------|-----|
| 5:1 | A | 512075 | A |

DO NOT SCALE DRAWING

SHEET 4 OF 4