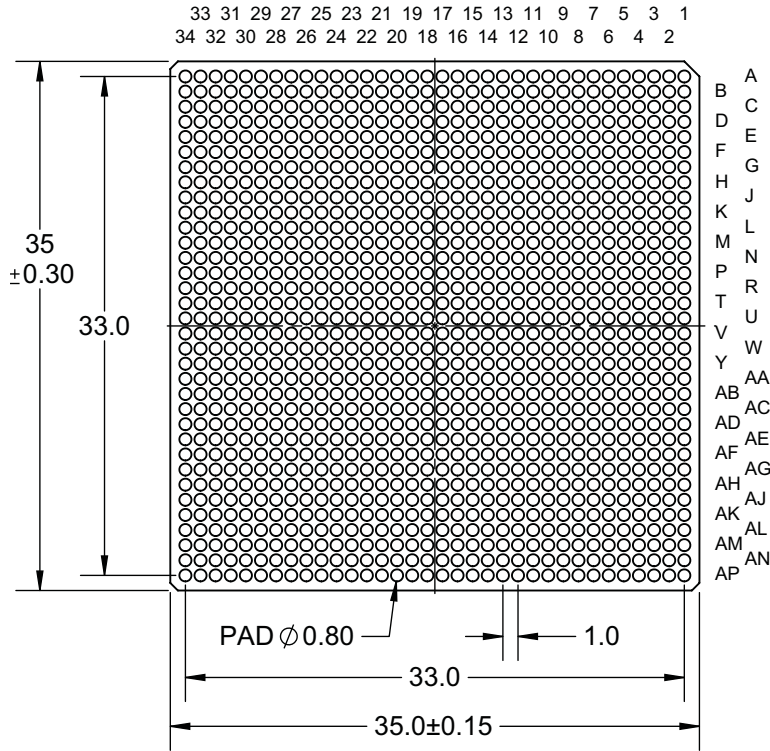
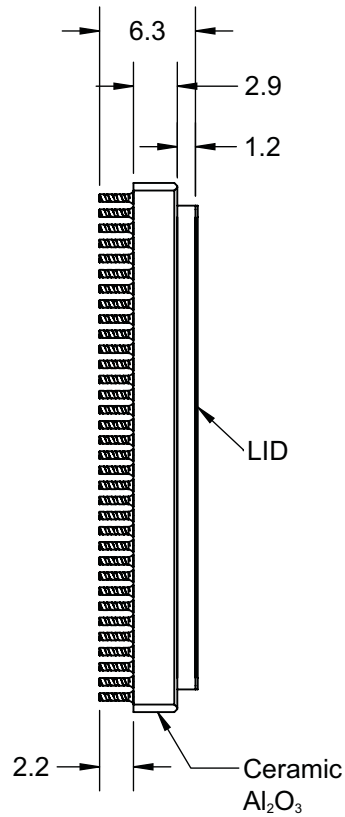


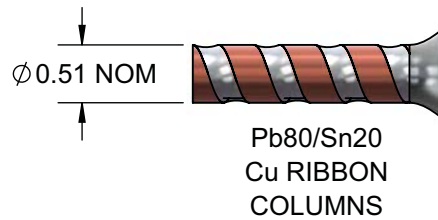
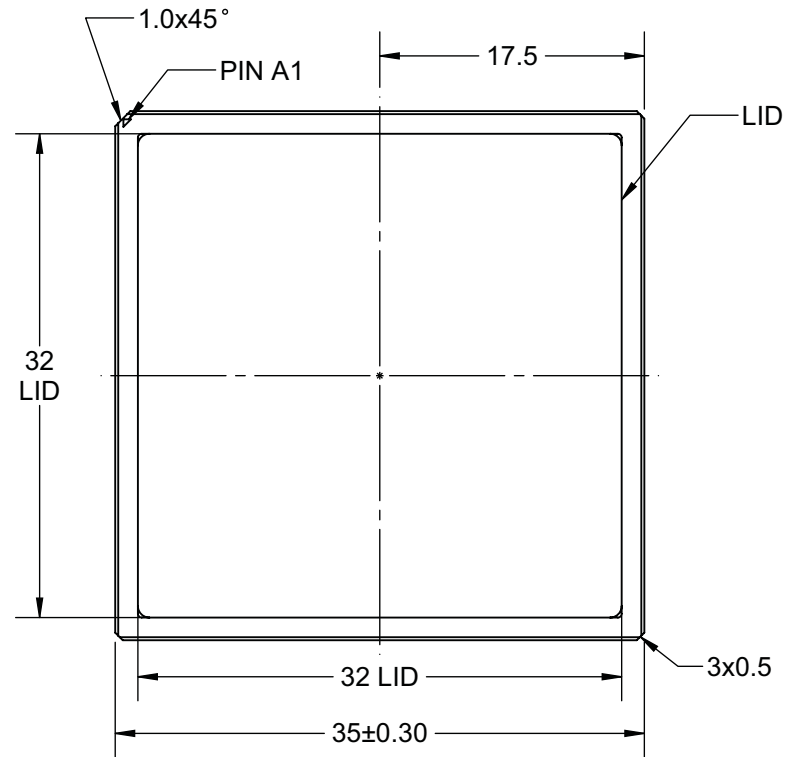
BOTTOM VIEW



SIDE VIEW



TOP VIEW



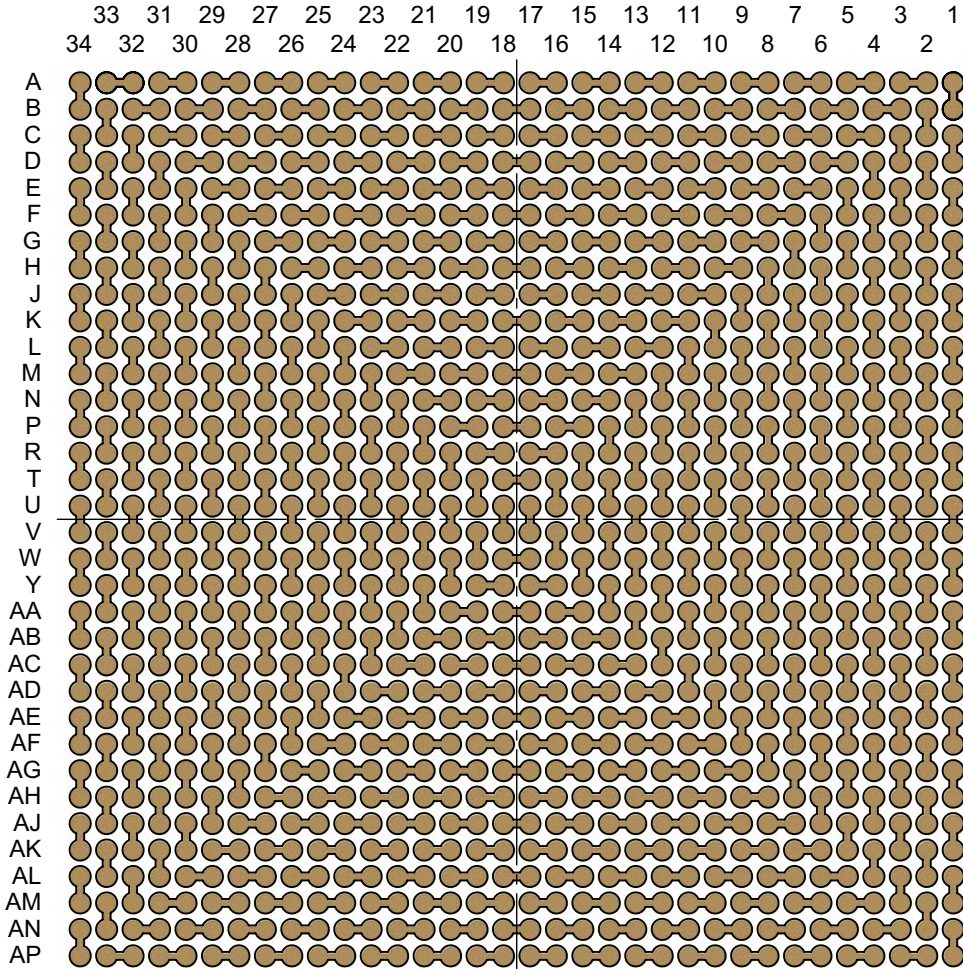
- Notes: (Unless Otherwise Specified).
 1) DIMENSIONS ARE IN mm.
 2) SHOWN WITH COLUMNS.
 3) SHOWN WITH LID COVER ATTACHED.

PART NUMBER OPTIONS			
PART NUMBER	DIE	SOLDER PIN	LID
CCGA1156T1.0-DC349D	YES	YES	YES

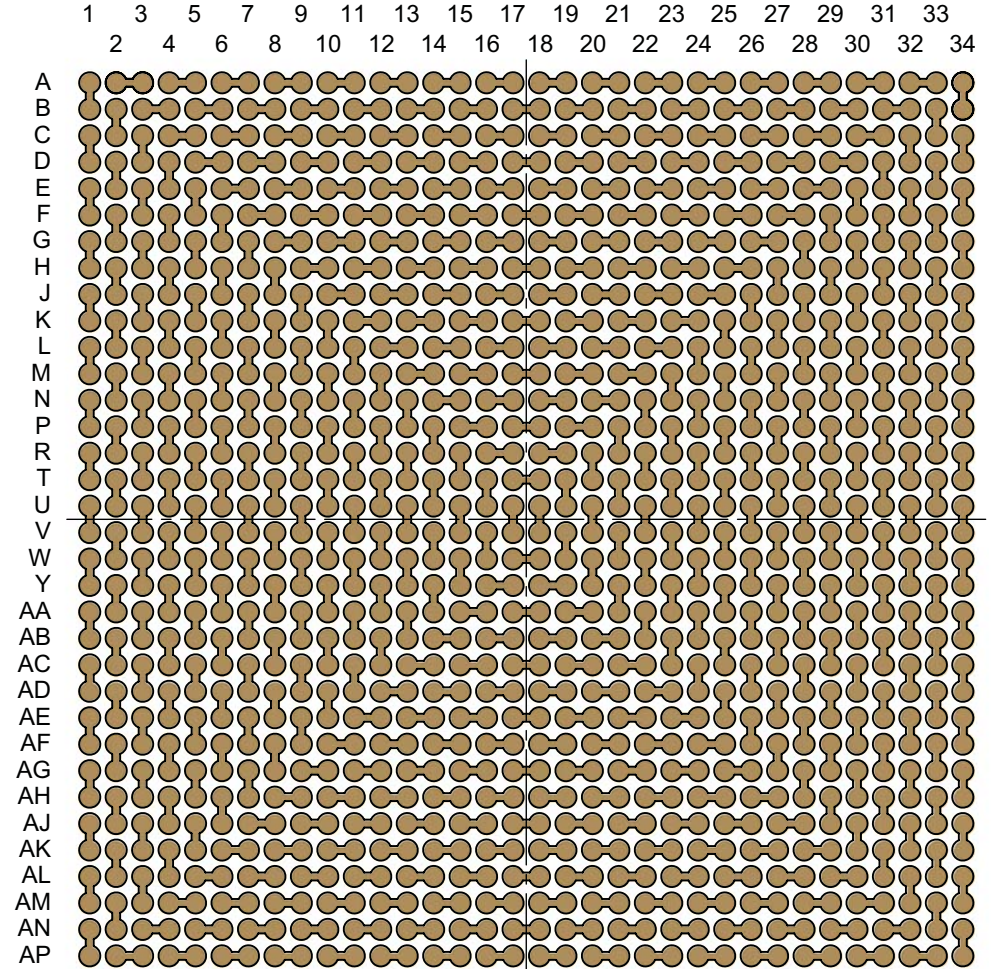
APPROVALS	DATE				
DRAWN T.Au	4/12/2020				
ENG M. Hart	4/12/2020	TITLE CCGA1156T1.0-DC349D COLUMN GRID ARRAY			
MFG		SCALE 2:1	SIZE A	DRAWING NO. 160139	REV A
QA		DO NOT SCALE DRAWING			SHEET 1 OF 4
CUST					
REVISED					

DAISY CHAIN PATTERN

COLUMN (PAD) VIEW



BOTTOM X-RAY VIEWED FROM TOP



TopLine®

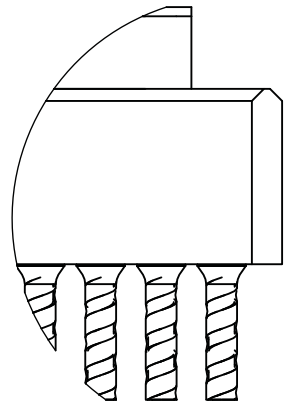
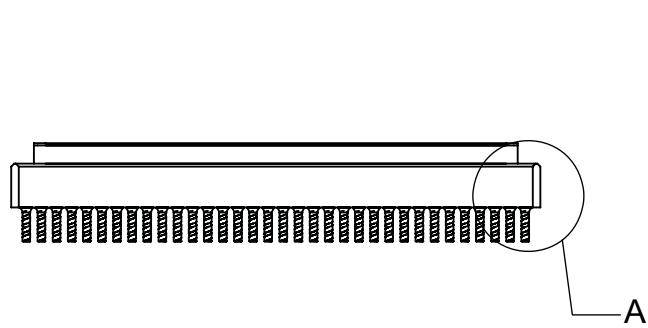
TITLE CCGA1156T1.0-DC349D
COLUMN GRID ARRAY

SCALE 3.5:1	SIZE A	DRAWING NO. 160139	REV A
----------------	-----------	-----------------------	----------

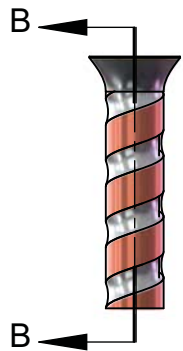
DO NOT SCALE DRAWING

SHEET 2 OF 4

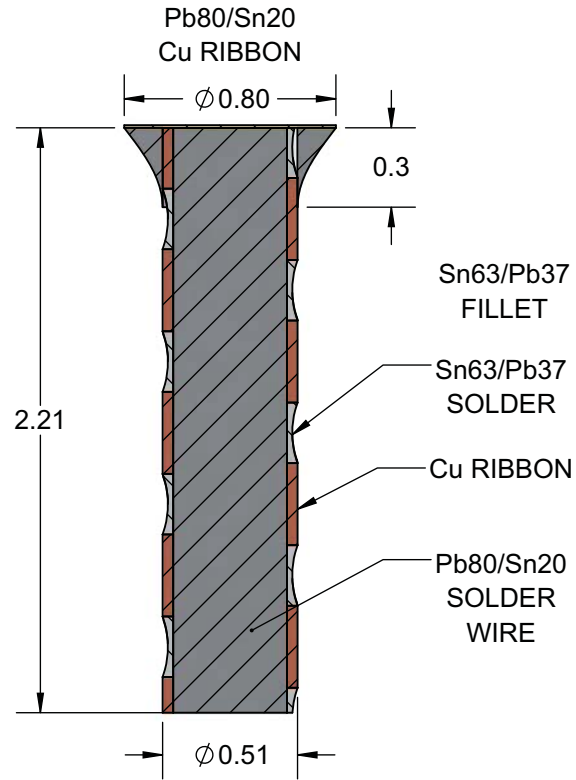
SOLDER PIN OPTIONS



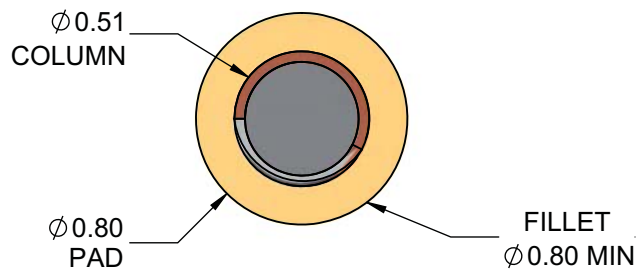
DETAIL A
SCALE 8 : 1



Pb80/Sn20
Cu RIBBON
SCALE 15:1

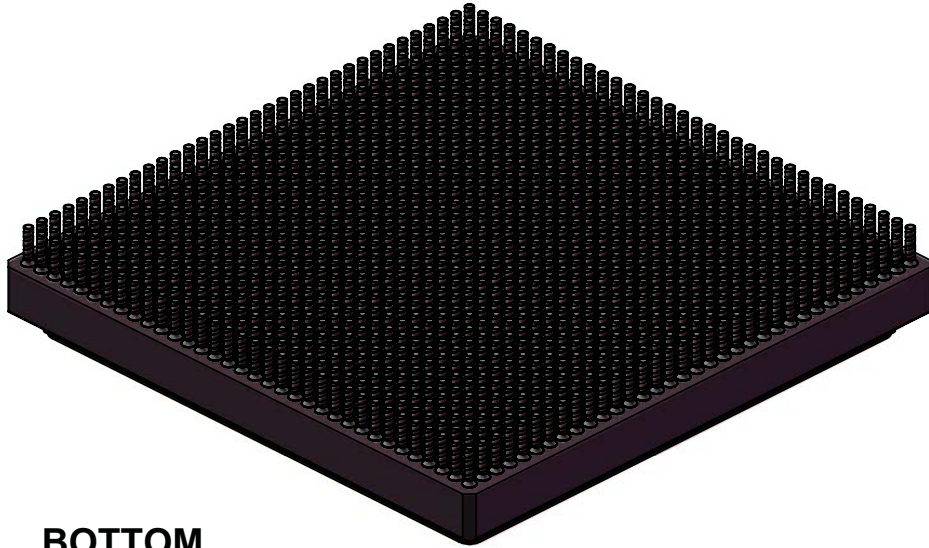


SECTION B-B
SCALE 35 : 1

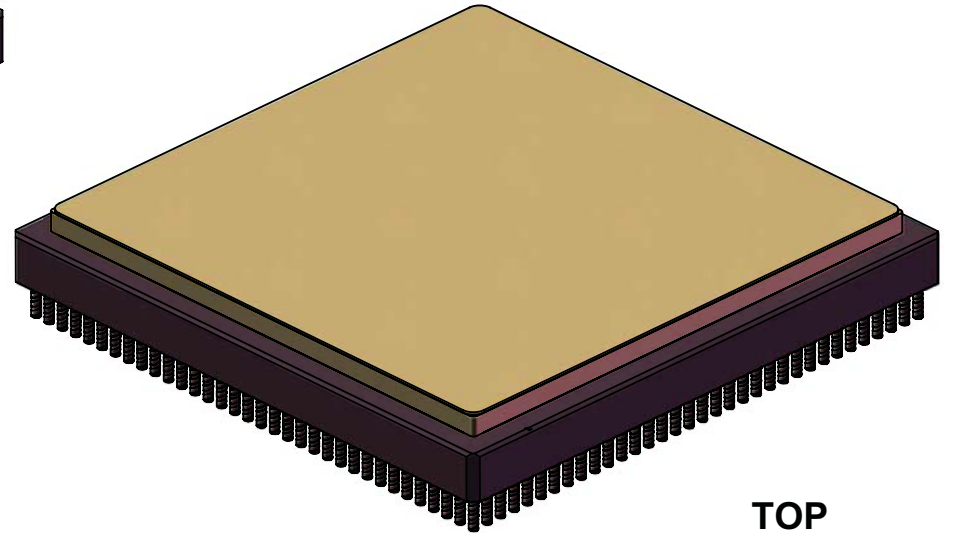


TopLine®			
TITLE CCGA1156T1.0-DC349D COLUMN GRID ARRAY			
SCALE 4:1	SIZE A	DRAWING NO. 160139	REV A
DO NOT SCALE DRAWING			SHEET 3 OF 4

MODEL
CCGA1156T1.0-DC349D
Pb80/Sn20 COPPER WRAPPED
COLUMNS



BOTTOM



TOP

TopLine [®]			
TITLE		CCGA1156T1.0-DC349D COLUMN GRID ARRAY	
SCALE	SIZE	DRAWING NO.	REV
2.5:1	A	160139	A
DO NOT SCALE DRAWING			SHEET 4 OF 4