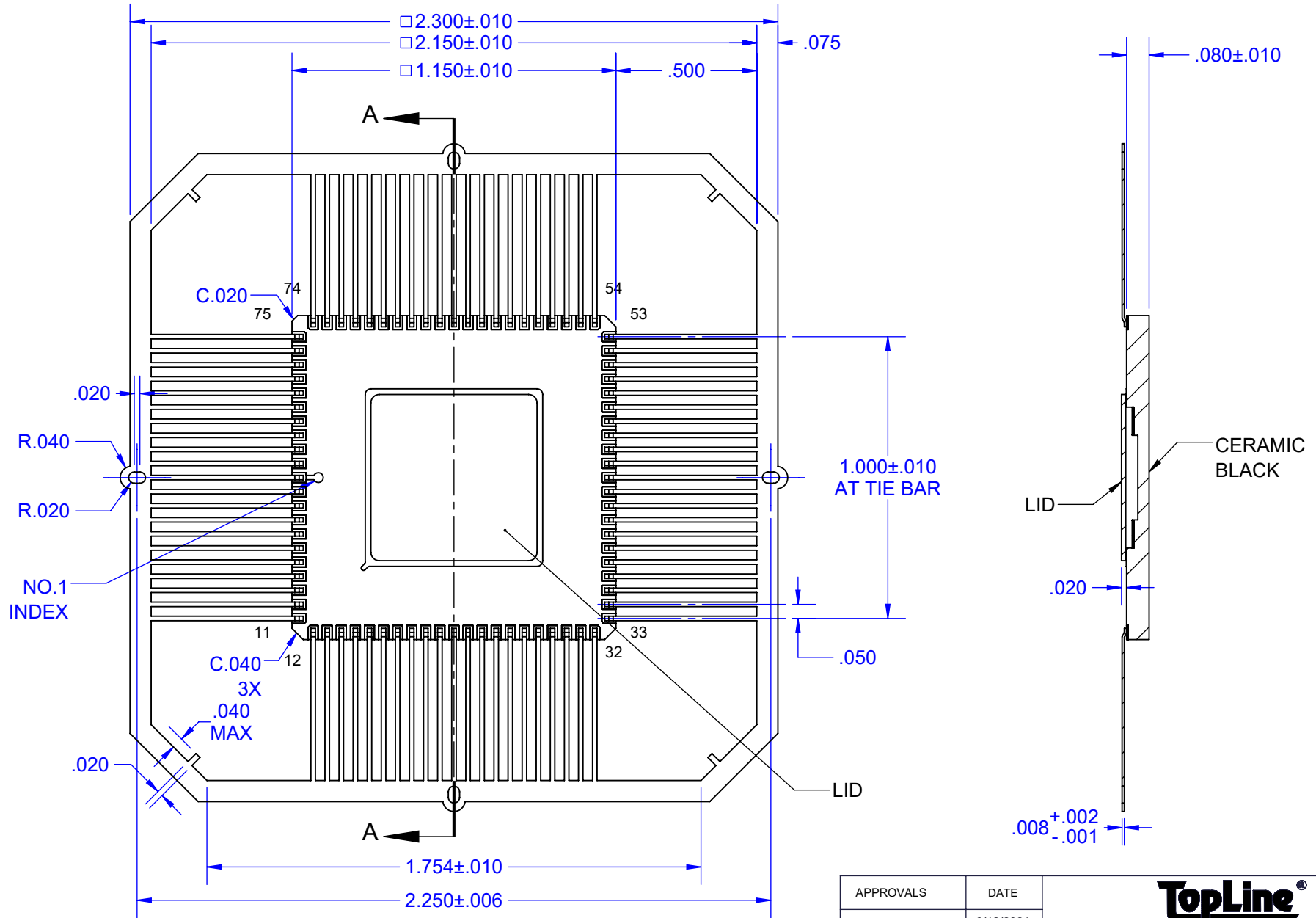
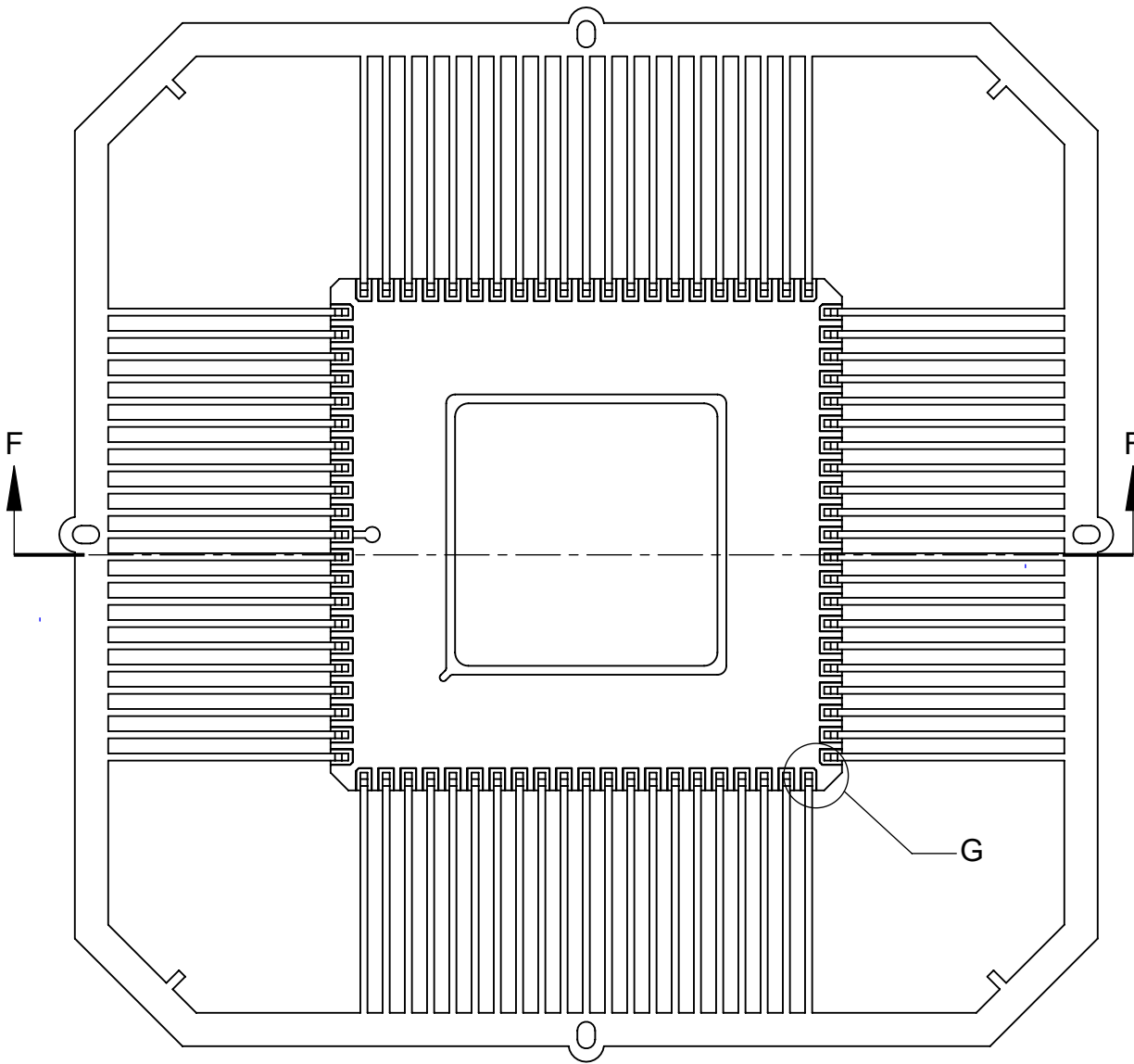


KHK 28

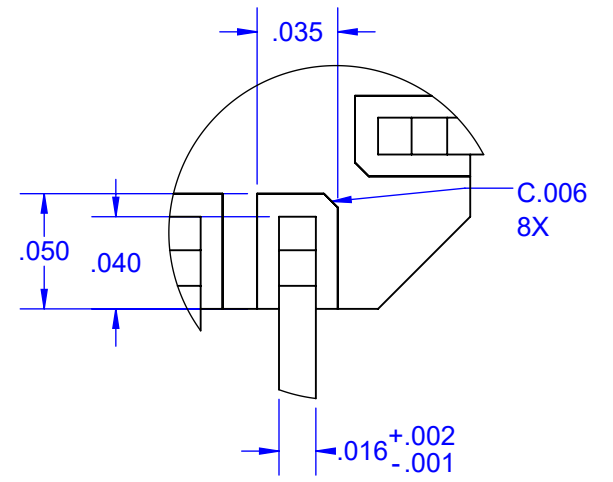


- Notes: (Unless Otherwise Specified)
- 1) DIMENSIONS: INCH [mm].
 - 2) FLAT LEADS ON TIE BAR KOVAR OR ALLOY 42.
 - 3) ALL EXPOSED METAL GOLD PLATED (Au).
 - 4) LEAD PITCH 50 MILS (1.27mm).

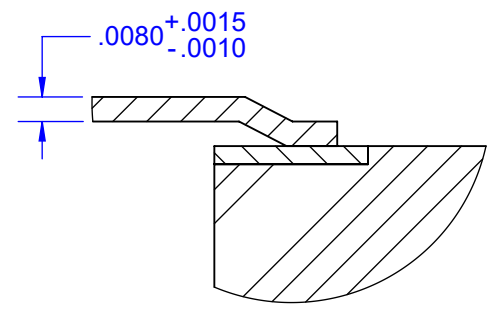
APPROVALS	DATE	TopLine®			
DRAWN T.Au	3/12/2021				
ENG M. Hart	3/12/2021	TITLE CERQUAD84F50 84 PIN PITCH 0.050-INCH			
MFG		SCALE	SIZE	DRAWING NO.	REV
QA		2:1	A	167817	A
CUST		DO NOT SCALE DRAWING			SHEET 1 OF 4
REVISED					



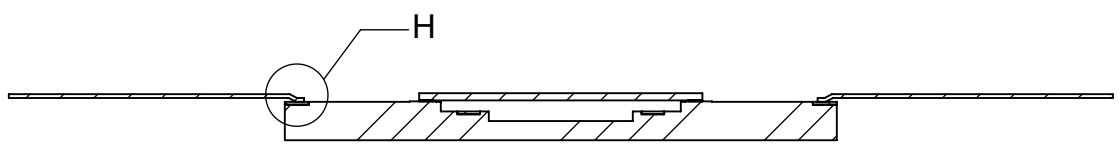
79FEI 58 @ 58 : F5A9
K #K @8



DETAIL G
SCALE 12 : 1



DETAIL H
SCALE 16 : 1

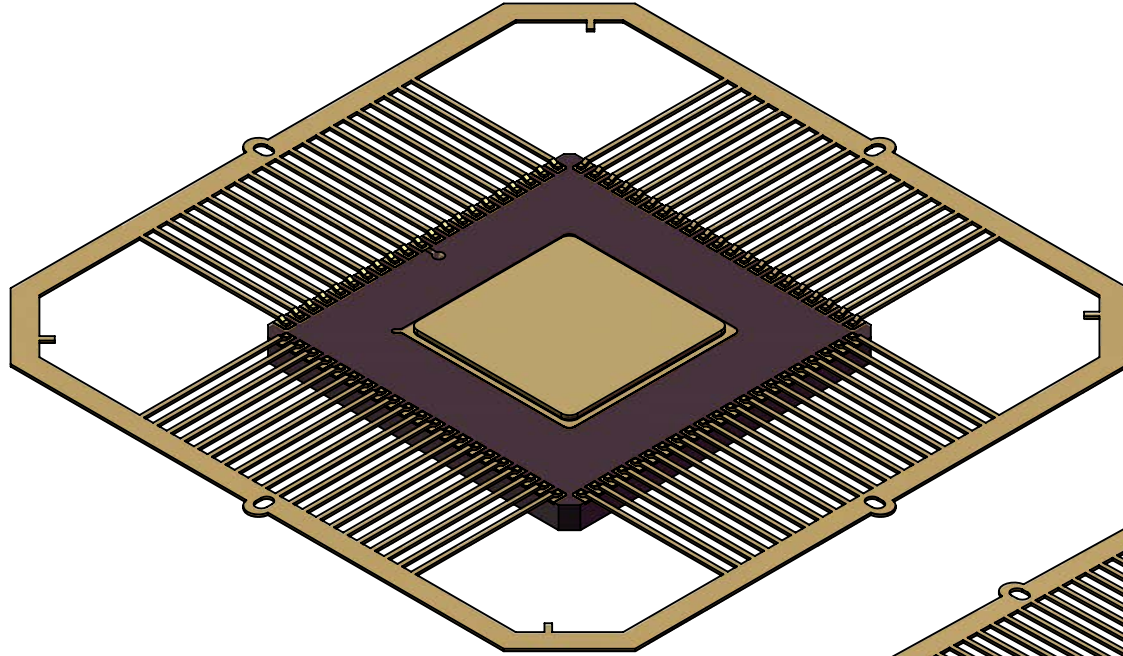


SECTION F-F

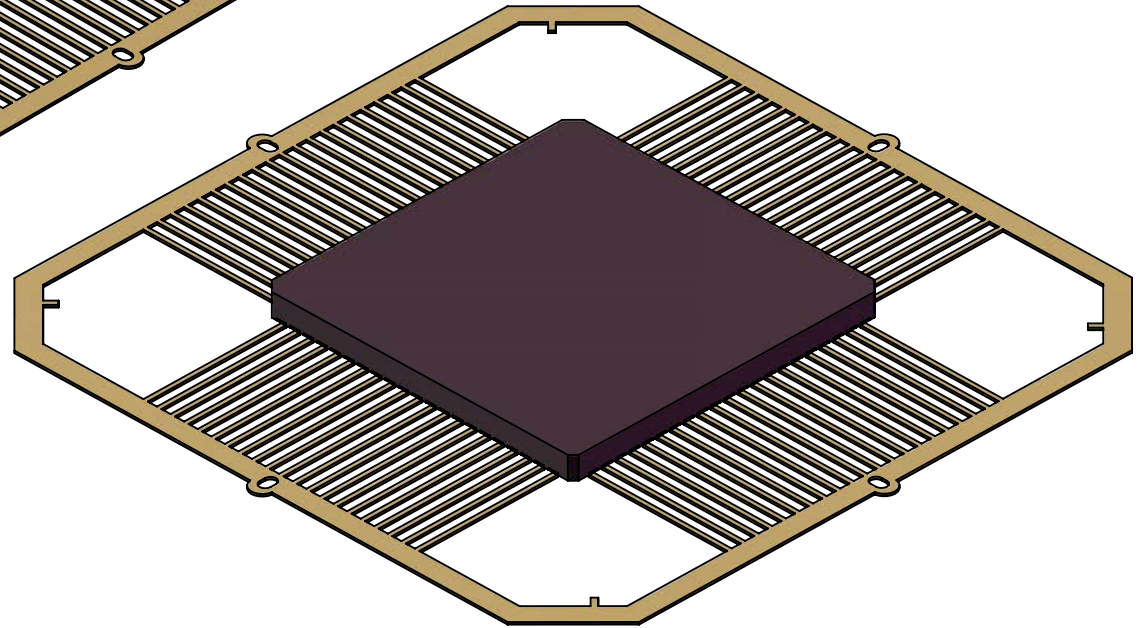
TopLine®			
TITLE CERQUAD84F50 84 PIN PITCH 0.050-INCH			
SCALE 2.5:1	SIZE A	DRAWING NO. 167817	REV A
DO NOT SCALE DRAWING			SHEET 2 OF 4

AC89@

HCD
K #K @8



6 CHCA



TopLine[®]

TITLE CERQUAD84F50
84 PIN PITCH 0.050-INCH

SCALE 2:1	SIZE A	DRAWING NO. 167817	REV A
--------------	-----------	-----------------------	----------

DO NOT SCALE DRAWING

SHEET 3 OF 4

~~85-GM7<5-B~~
~~CDH-CB5 @~~

~~85-GM7<5-B~~
~~B9H @GH~~

D-BG	D-BG	D-BG	D-BG	D-BG	D-BG	D-BG
1 ~ 2	13 ~ 14	25 ~ 26	37 ~ 38	49 ~ 50	61 ~ 62	73 ~ 74
3 ~ 4	15 ~ 16	27 ~ 28	39 ~ 40	51 ~ 52	63 ~ 64	75 ~ 76
5 ~ 6	17 ~ 18	29 ~ 30	41 ~ 42	53 ~ 54	65 ~ 66	77 ~ 78
7 ~ 8	19 ~ 20	31 ~ 32	43 ~ 44	55 ~ 56	67 ~ 68	79 ~ 80
9 ~ 10	21 ~ 22	33 ~ 34	45 ~ 46	57 ~ 58	69 ~ 70	81 ~ 82
11 ~ 12	23 ~ 24	35 ~ 36	47 ~ 48	59 ~ 60	71 ~ 72	83 ~ 84

TopLine®

TITLE CERQUAD84F50
84 PIN PITCH 0.050-INCH

SCALE NONE	SIZE A	DRAWING NO. 167817	REV A
---------------	-----------	-----------------------	----------

DO NOT SCALE DRAWING

SHEET 4 OF 4