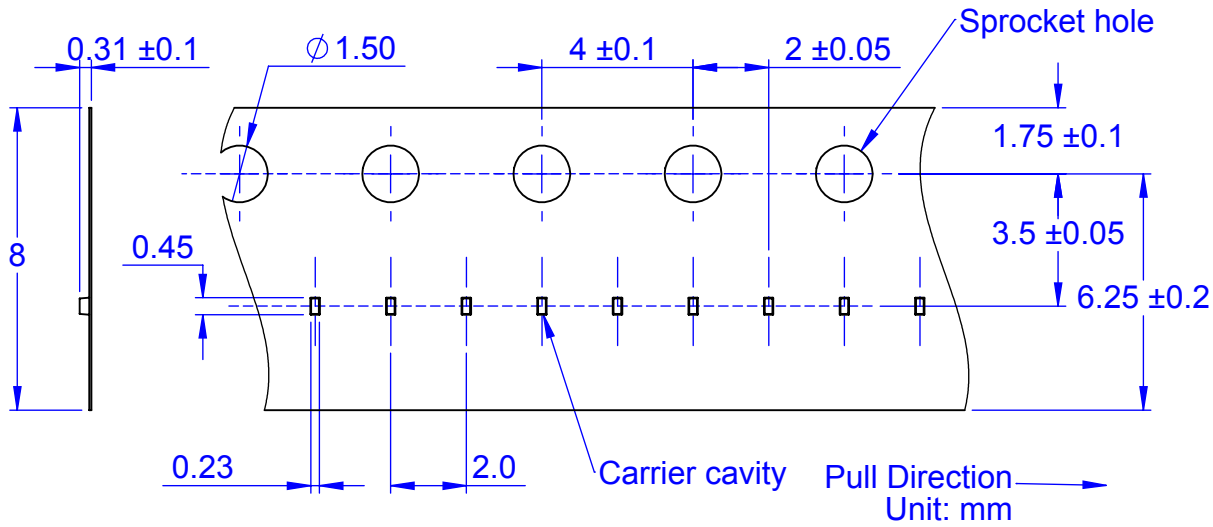
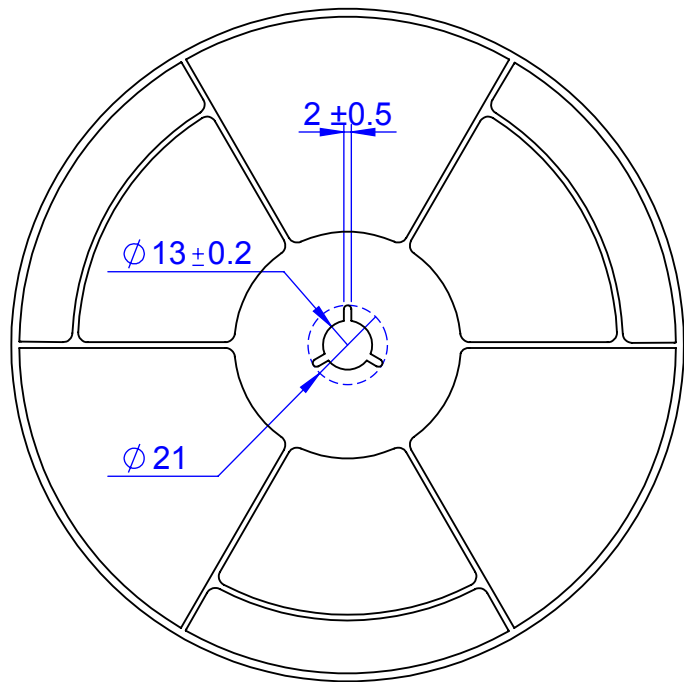
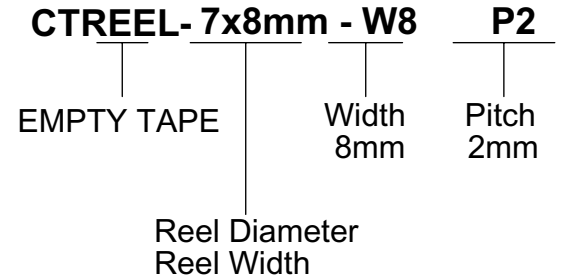


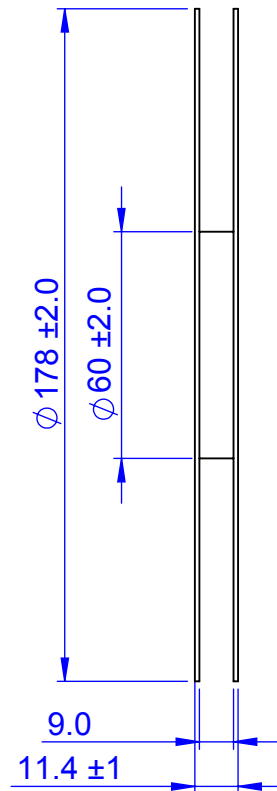
W8P2 CARRIER TAPE DIMENSION



W8P2 TAPE PART NUMBER SYSTEM



REEL DIMENSIONS



APPROVALS	DATE	TopLine®			
DRAWN T. Au	05/17/12				
ENG M. Hart	05/17/12	TITLE CTREEL EMPTY CARRIER TAPE			
MFG		SCALE	SIZE	DRAWING NO.	REV
QA			A	1xxxx1	A
CUST		DO NOT SCALE DRAWING			SHEET 1 OF 1
REVISED					