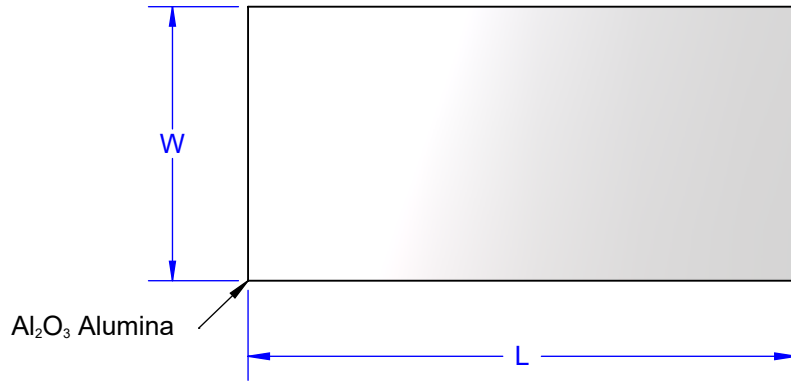
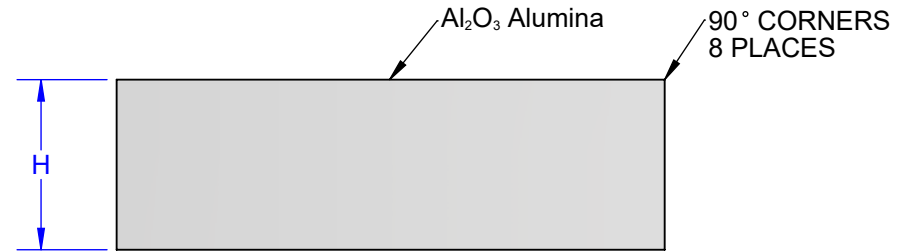


WHITE AND BLACK CHIPS WITHOUT METALLIZATION

TOP VIEW



SIDE VIEW



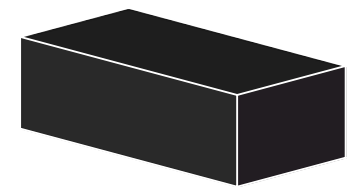
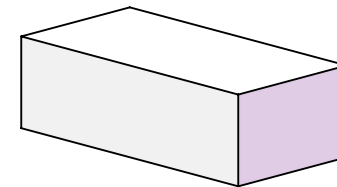
NOTES:

1. DIMENSION IN mm EXCEPT AS NOTED.
2. METALLIZATION: NONE.
3. Pb-FREE AND HALOGEN FREE.
4. COLORS: WHITE and BLACK.

PART NUMBER TABLE

SIZE CODE	COLOR	PART SERIES	SIZE (MM)				TOLERANCE	OUTLINE DRAWING
			L LENGTH	W WIDTH	H HEIGHT			
0201	WHITE	SCC0201P7A-WHITE	0.60	0.30	0.28	±0.025	020110	
0201	BLACK	SCC0201P7A-BLACK	0.60	0.30	0.28	±0.025	020111	

MODELS

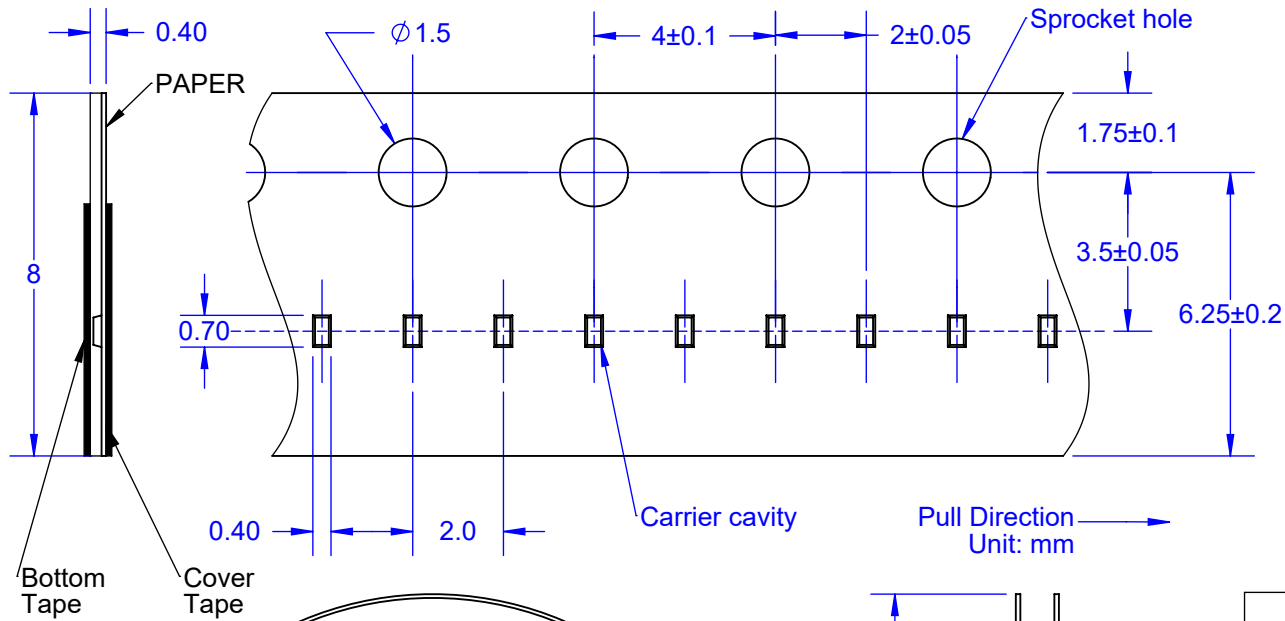


WHITE

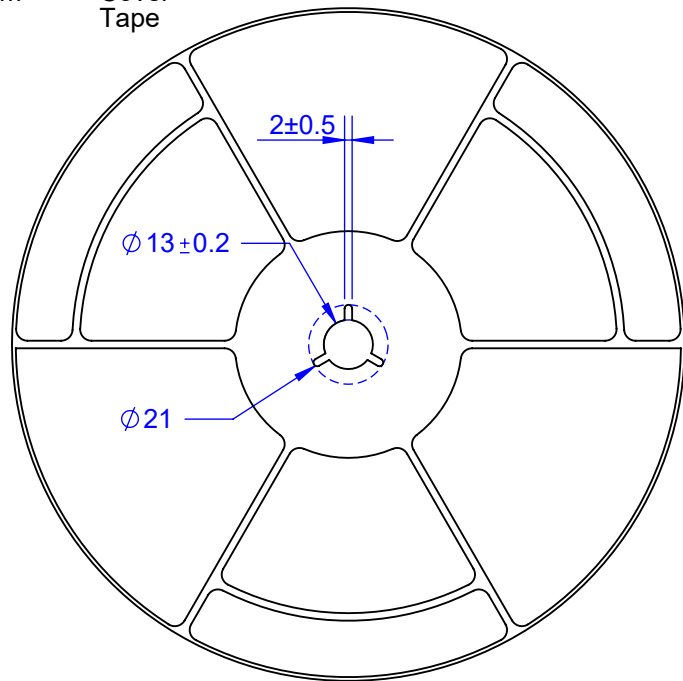
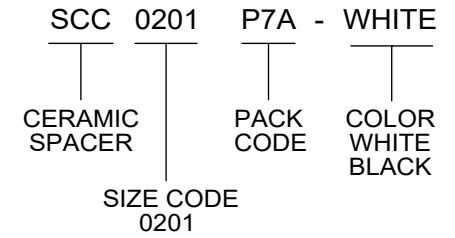
BLACK

APPROVALS	DATE	TopLine®			
DRAWN T.Au	11/30/2023	TITLE SCC0201 UNTERMINATED CHIPS			
ENG M. Hart	11/30/2023				
MFG		SCALE 125:1	SIZE A	DRAWING NO. 020110	REV B
QA		DO NOT SCALE DRAWING			SHEET 1 OF 2
CUST					
REVISED					

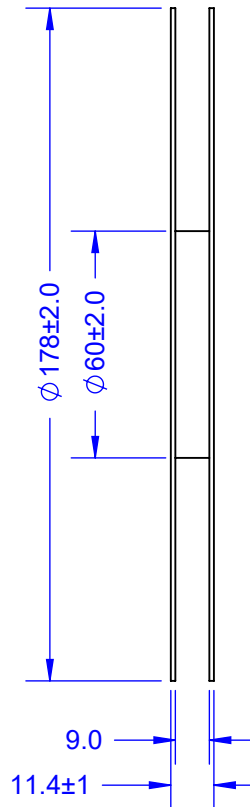
W8P2 CARRIER TAPE DIMENSION



PART NUMBER SYSTEM



REEL DIMENSIONS



PACK CODE			
CODE	0201	PACKAGE	TAPE
P7A	15,000	REEL	PAPER
P4A	1,000	REEL	PAPER

REVISED

TopLine®			
TITLE		SCC0201 UNTERMINATED CHIPS	
SCALE	SIZE	DRAWING NO.	REV
NONE	A	020110	B
DO NOT SCALE DRAWING			SHEET 2 OF 2