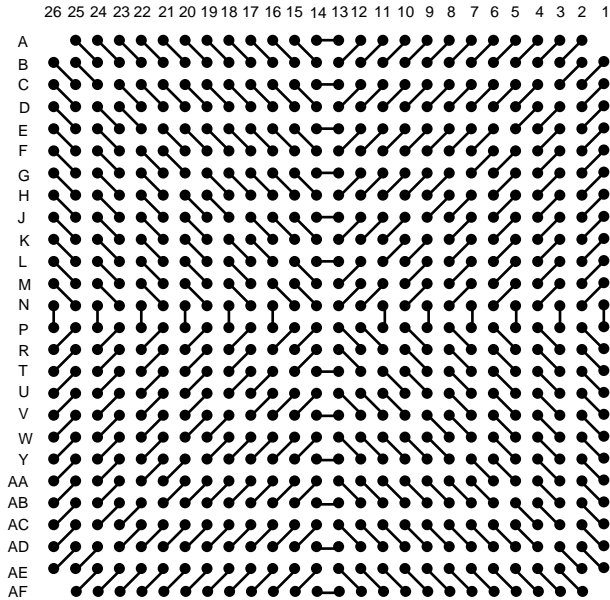
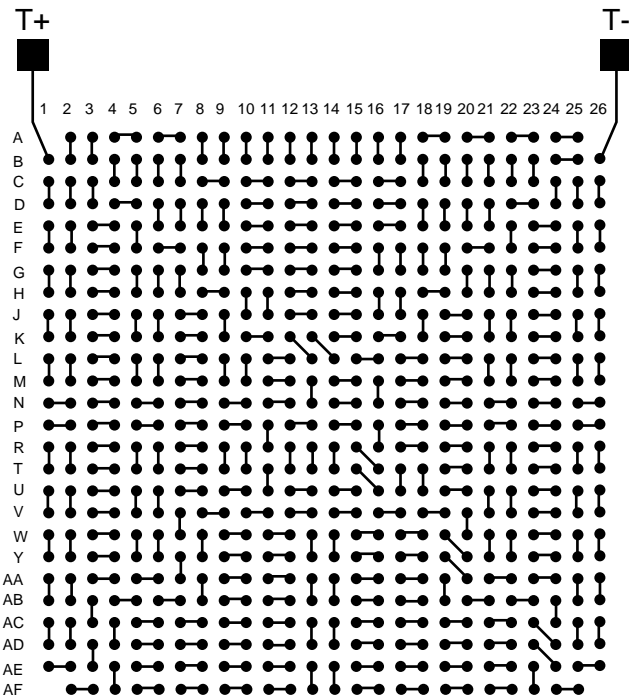
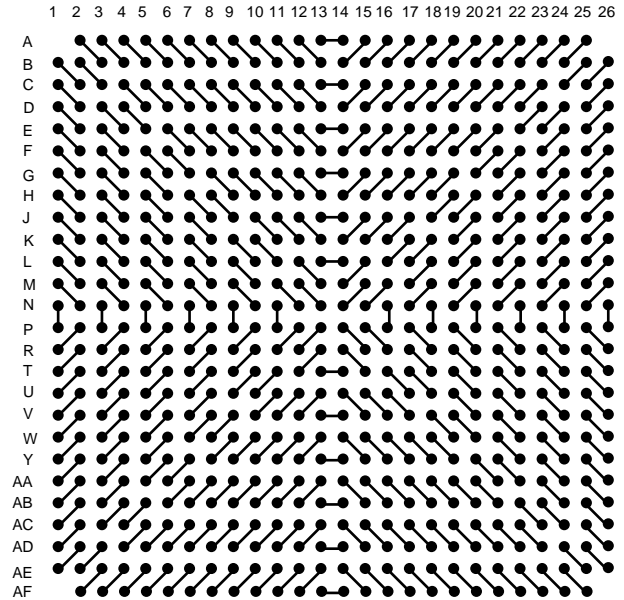


BALLS	PITCH	SIZE	MATRIX	ROWS	CENTER	MAT'L
672	1.0mm	27mm SQ	full	26x26	full	FR4

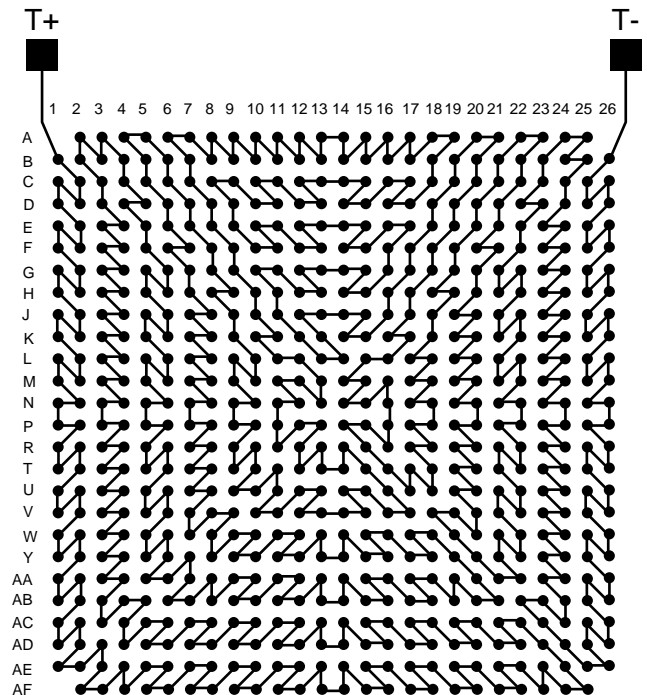
**BALL VIEW**



**BOTTOM SIDE (TOP X-RAY VIEW)**



**TEST VEHICLE BOARD**



**AFTER MOUNTING TO TEST BOARD**

# eBGA672T1.0-D268D Lead Free

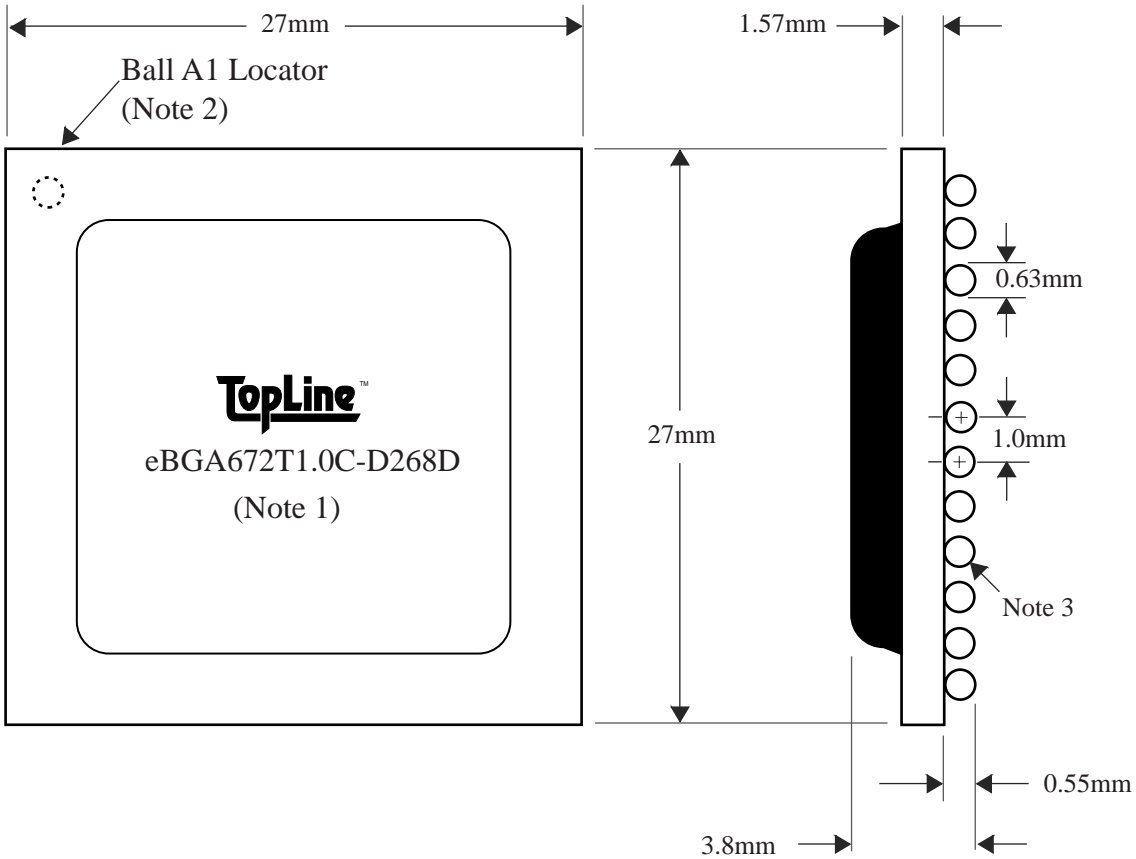


Tel 1-714-898-3830  
info@topline.tv

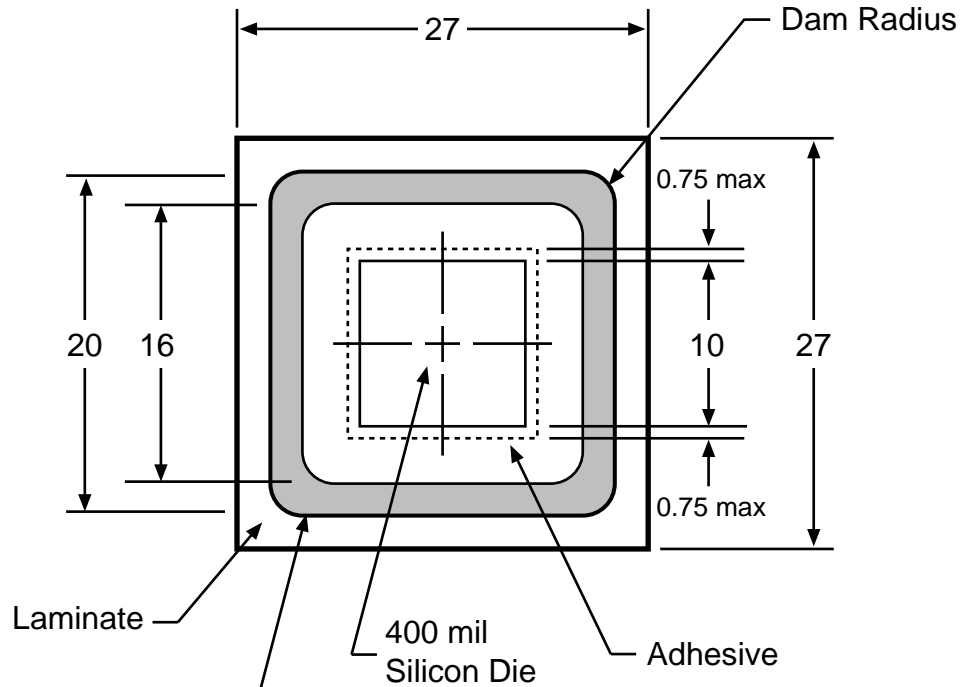
<u>BALLS</u>	<u>PITCH</u>	<u>SIZE</u>	<u>MATRIX</u>	<u>ROWS</u>	<u>CENTER</u>	<u>MAT'L</u>
672	1.0mm	27mm SQ	full	26x26	full	FR4

**TOP VIEW**

**SIDE VIEW**



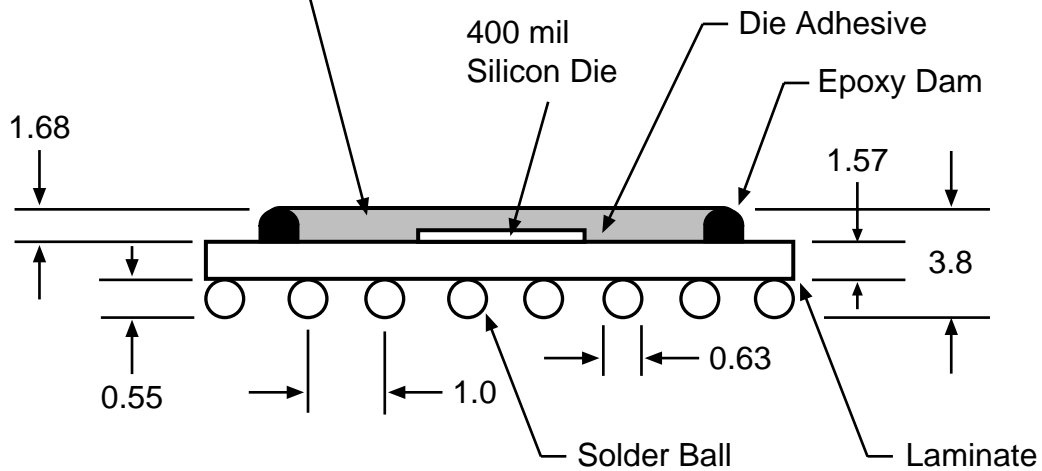
NOTES		REVISIONS		
Note 1	Logo and part number centered	<u>Rev</u>	<u>Date</u>	<u>Changes</u>
Note 2	Ball A1 locator mark positioned in corner			
Note 3	Ball Material: Sn96.5 Ag3.0 Cu0.5			
Note 4	Substrate Material: FR4			
		PACKAGING TRAYS		
		Tray BGATRAY27mm-4x10		
		Tray Quantity 40		



**Top View**

Shown Open Cavity

Liquid Epoxy Encapsulant



**Side View**

Drawing Not to Scale  
Dimensions = mm