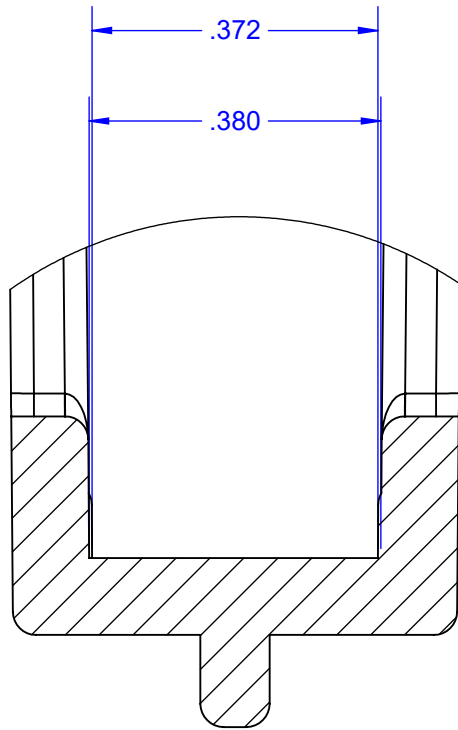


**NOTES:**

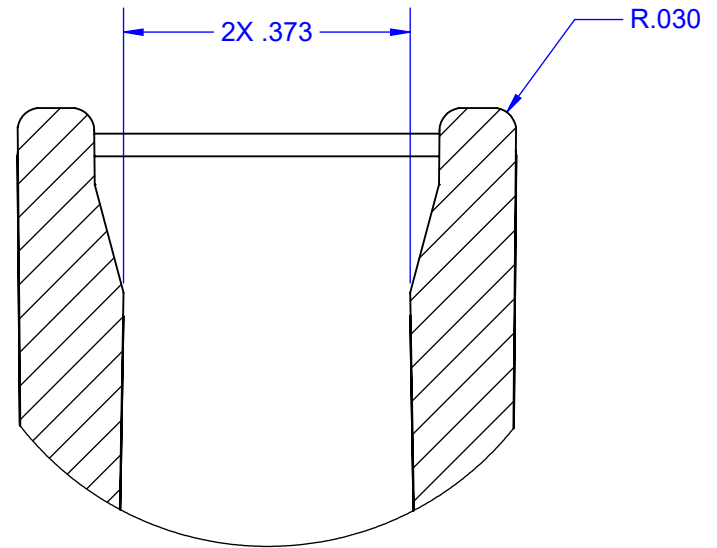
1. SIZE INCH [mm].
2. MATERIAL: CONDUCTIVE POLYPROPYLENE (PP).
3. ONE CLIP REQUIRED PER ASSEMBLY.
4. ESD SURFACE RESISTIVITY OHMS/SQ  $10^3 \sim 10^6 \Omega$ .
5. CLAMPS TWO TRAYS TOGETHER.
6. SECOND TRAY ON TOP IS USED AS A COVER.

APPROVALS	DATE	<b>TopLine®</b>			
DRAWN T. Au	07/22/2022				
ENG M. Hart	07/22/2022	TITLE WP4-U-CLIP 4" SINGLE CLIP			
MFG		SCALE	SIZE	DRAWING NO.	REV
QA		2:3	A	144441	A
CUST		DO NOT SCALE DRAWING			SHEET 1 OF 6
REVISED					

# DETAIL VIEWS



DETAIL K  
SCALE 4 : 1



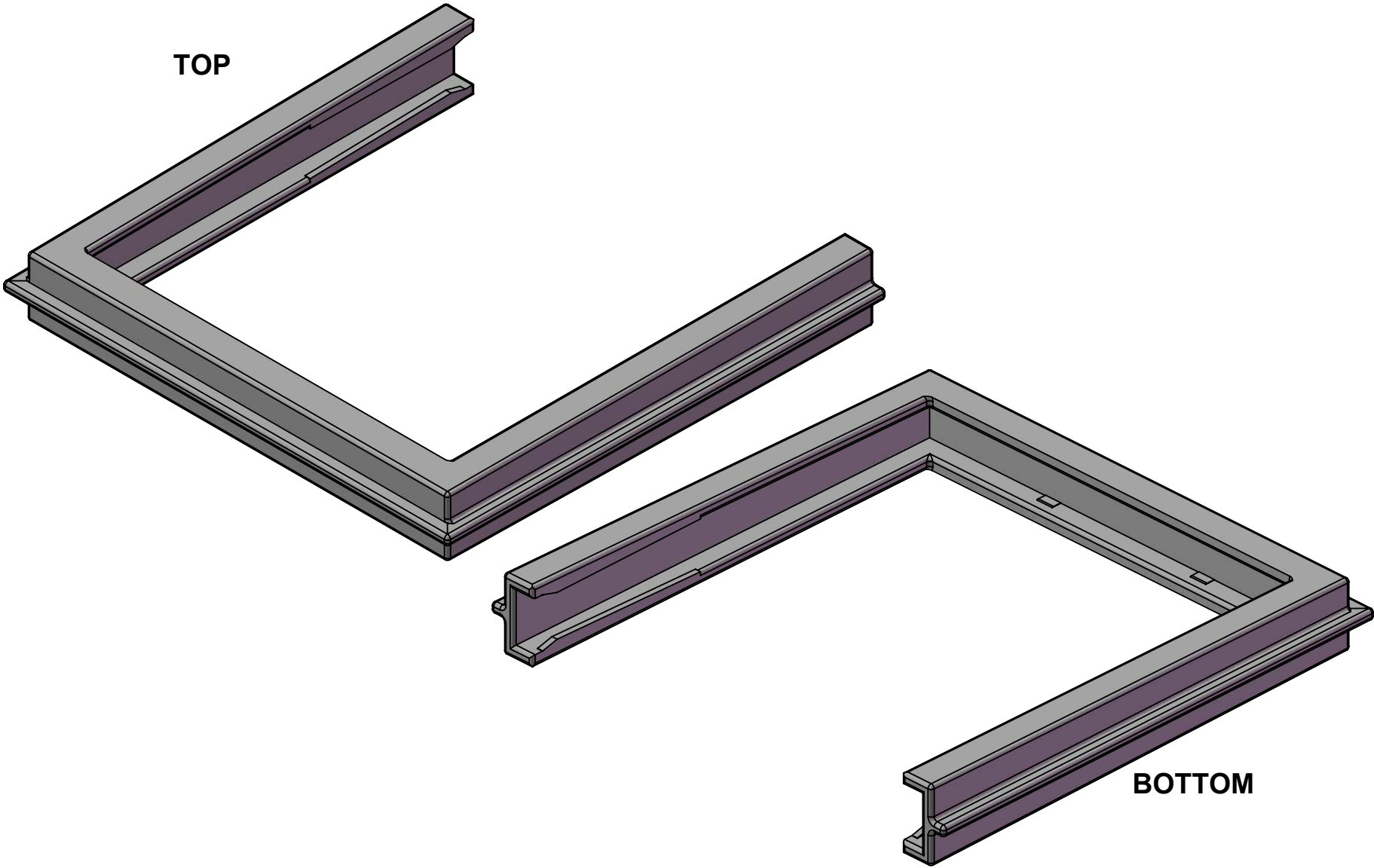
SECTION C-C  
SCALE 4 : 1

**NOTES:**

1. ONE CLIP REQUIRED PER ASSEMBLY.
2. CLAMPS TOGETHER DUAL WP4-TRAY + WP4-TRAY.
3. SECOND TRAY ON TOP IS USED AS A COVER.

<b>TopLine<sup>®</sup></b>			
TITLE		WP4-U-CLIP 4" SINGLE CLIP	
SCALE	SIZE	DRAWING NO.	REV
4:1	A	144441	A
DO NOT SCALE DRAWING			SHEET 2 OF 6

**ONE CLIP ASSEMBLY**

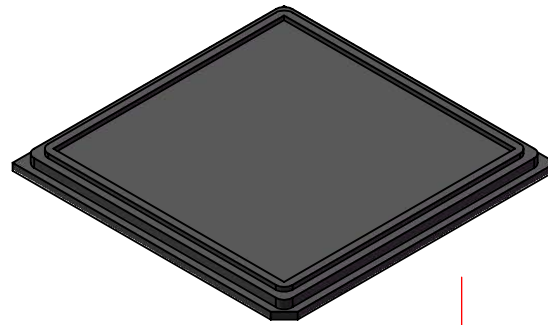


- NOTES:  
1. ONE CLIP REQUIRED PER ASSEMBLY.  
2. CLAMPS TOGETHER DUAL WP4-TRAY + WP4-TRAY.  
3. SECOND TRAY ON TOP IS USED AS A COVER.

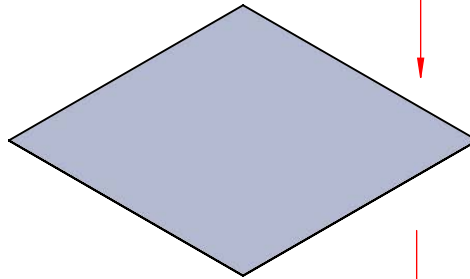
<b>TopLine<sup>®</sup></b>			
TITLE		WP4-U-CLIP 4" SINGLE CLIP	
SCALE	SIZE	DRAWING NO.	REV
1:1	A	144441	A
DO NOT SCALE DRAWING			SHEET 3 OF 6

# EXPLODED VIEW

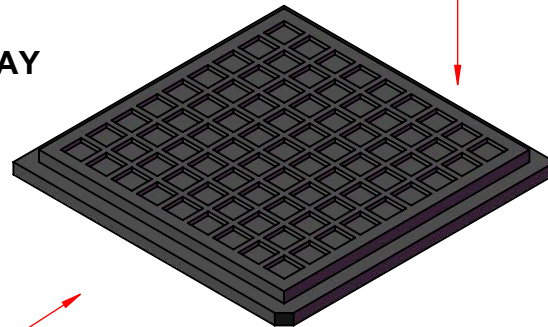
4" WAFFLE TRAY  
(Used as top cover)



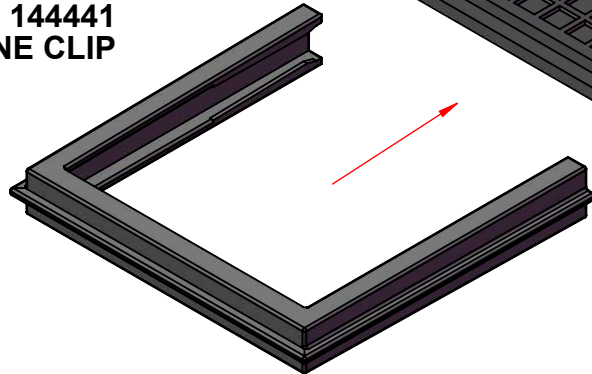
DWG 140001  
LINER SHEET  
TYVEK 3.5" SQ



4" WAFFLE TRAY



DWG 144441  
ONE CLIP

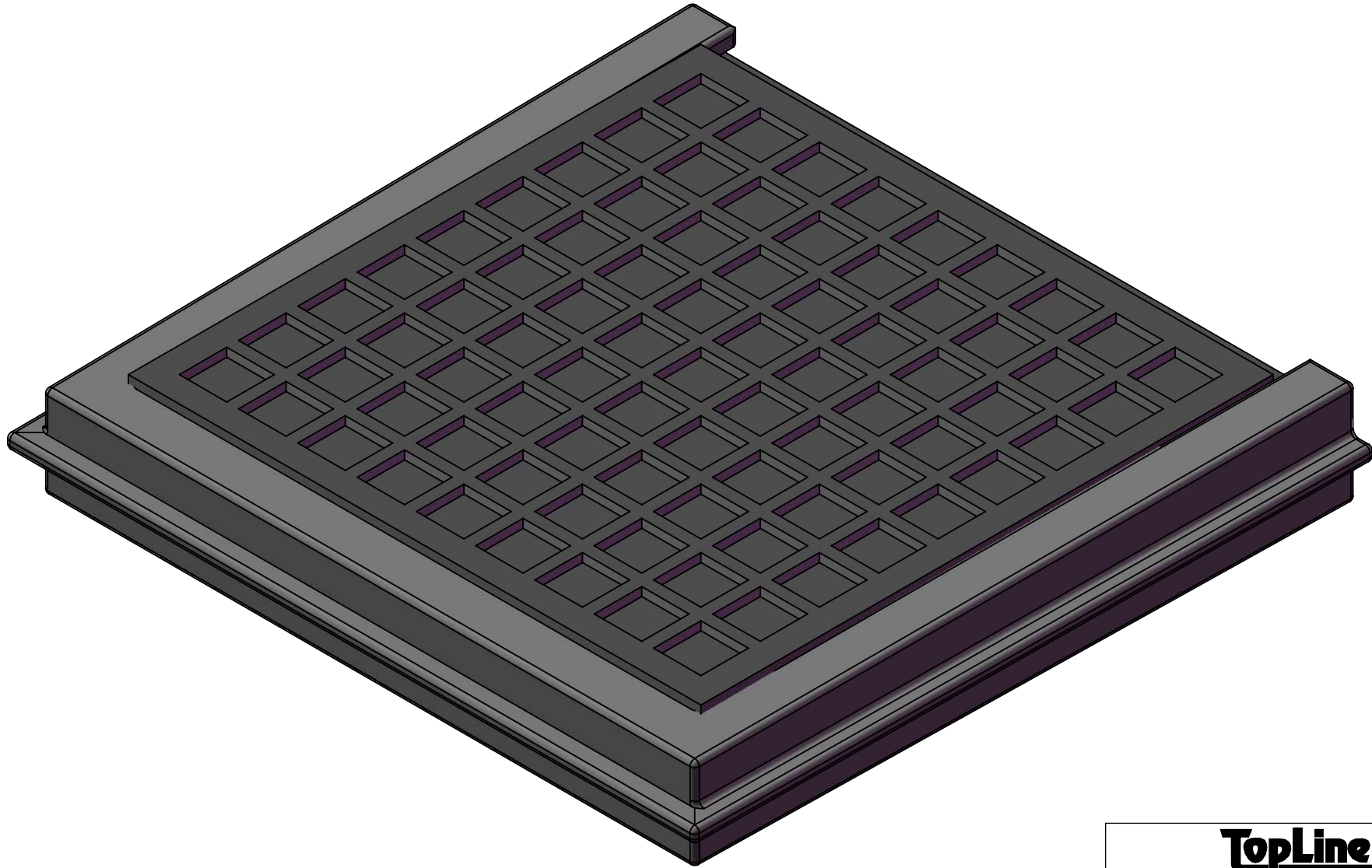


## NOTES:

1. ONE CLIP REQUIRED PER ASSEMBLY.
2. CLAMPS TOGETHER DUAL WP4-TRAY + WP4-TRAY.
3. SECOND TRAY ON TOP IS USED AS A COVER.

<b>TopLine<sup>®</sup></b>			
TITLE		WP4-U-CLIP 4" SINGLE CLIP	
SCALE	SIZE	DRAWING NO.	REV
1:2.5	A	144441	A
DO NOT SCALE DRAWING			SHEET 4 OF 6

**ASSEMBLY WITH DUAL TRAY + TRAY  
TOP VIEW**

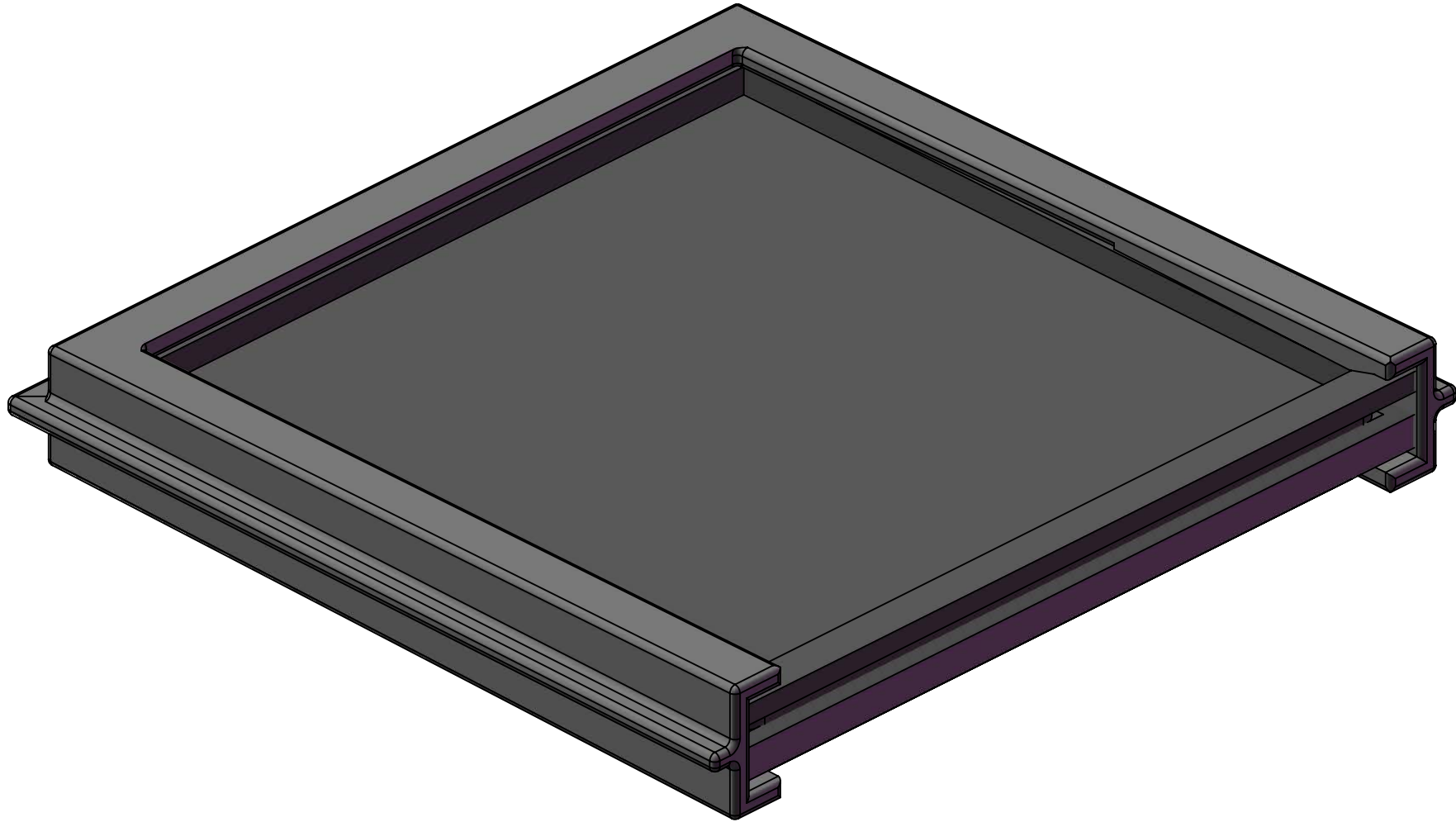


**NOTES:**

1. ONE CLIP REQUIRED PER ASSEMBLY.
2. CLAMPS TOGETHER DUAL WP4-TRAY + WP4-TRAY.
3. SECOND TRAY ON TOP IS USED AS A COVER.

<b>TopLine<sup>®</sup></b>			
TITLE		WP4-U-CLIP 4" SINGLE CLIP	
SCALE	SIZE	DRAWING NO.	REV
3:2	A	144441	A
DO NOT SCALE DRAWING			SHEET 5 OF 6

**ASSEMBLY WITH DUAL TRAY + TRAY  
BOTTOM VIEW**



**NOTES:**

1. ONE CLIP REQUIRED PER ASSEMBLY.
2. CLAMPS TOGETHER DUAL WP4-TRAY + WP4-TRAY.
3. SECOND TRAY ON TOP IS USED AS A COVER.

<b>TopLine<sup>®</sup></b>			
TITLE		WP4-U-CLIP 4" SINGLE CLIP	
SCALE	SIZE	DRAWING NO.	REV
3:2	A	144441	A
DO NOT SCALE DRAWING			SHEET 6 OF 6