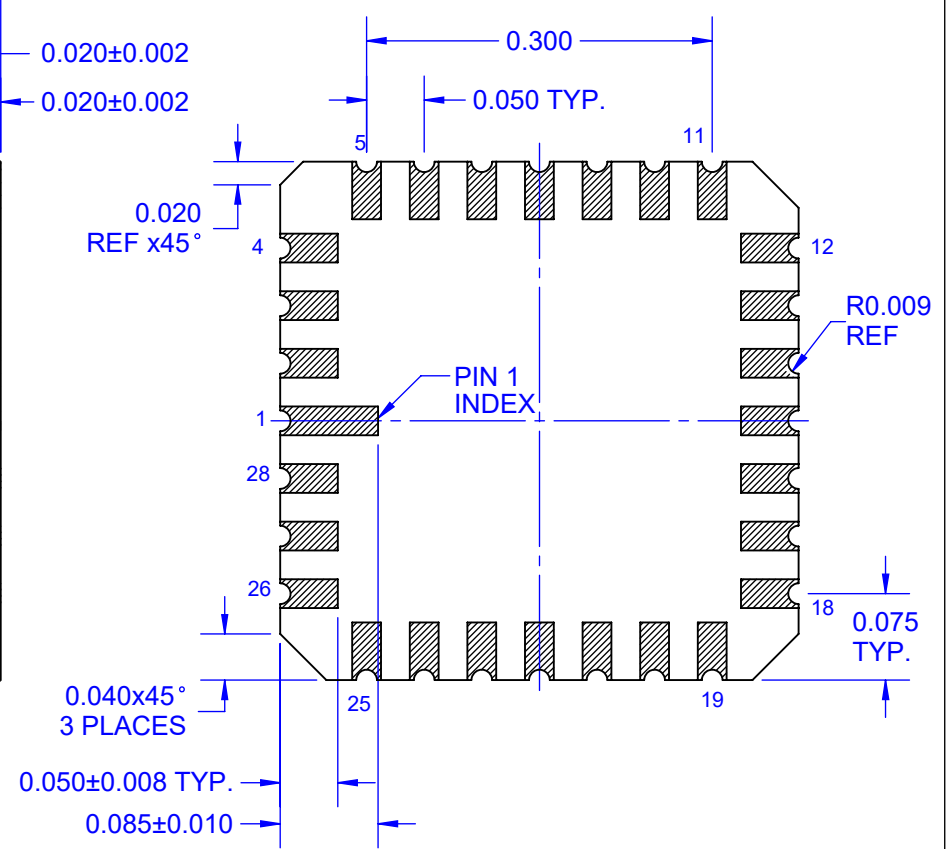
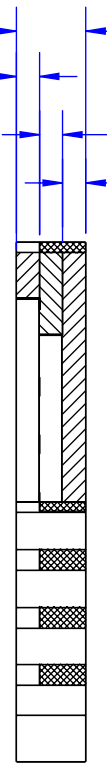
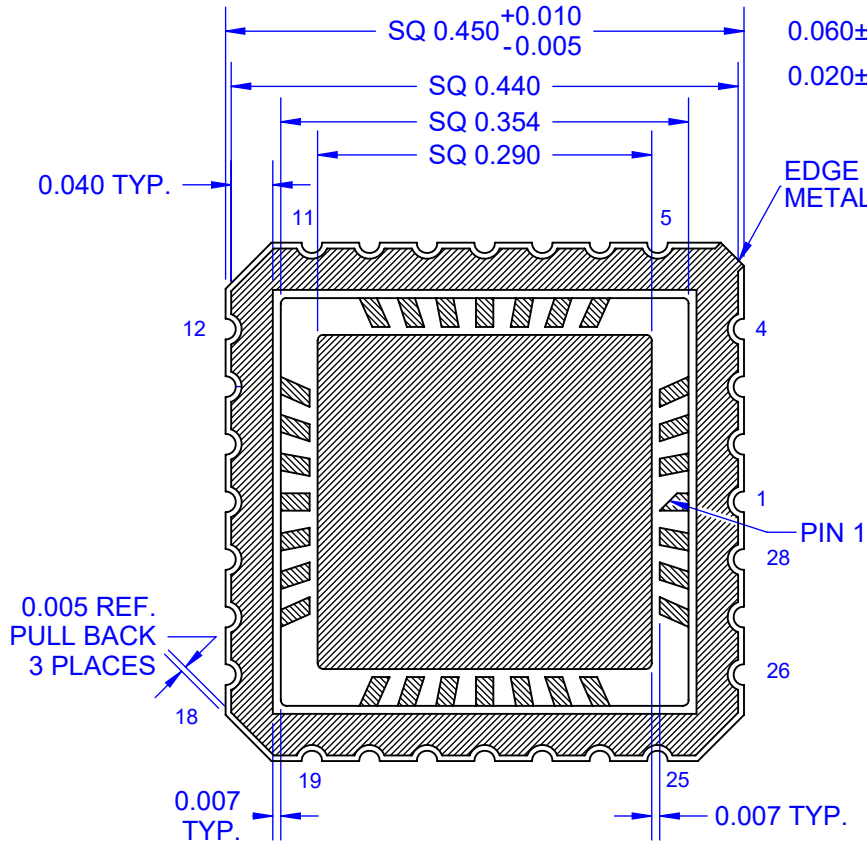


NON-MAGNETIC

TOP VIEW

SIDE VIEW

BOTTOM VIEW



DIE PAD
0.290 x 0.290-inch
[7.36 x 7.36mm]

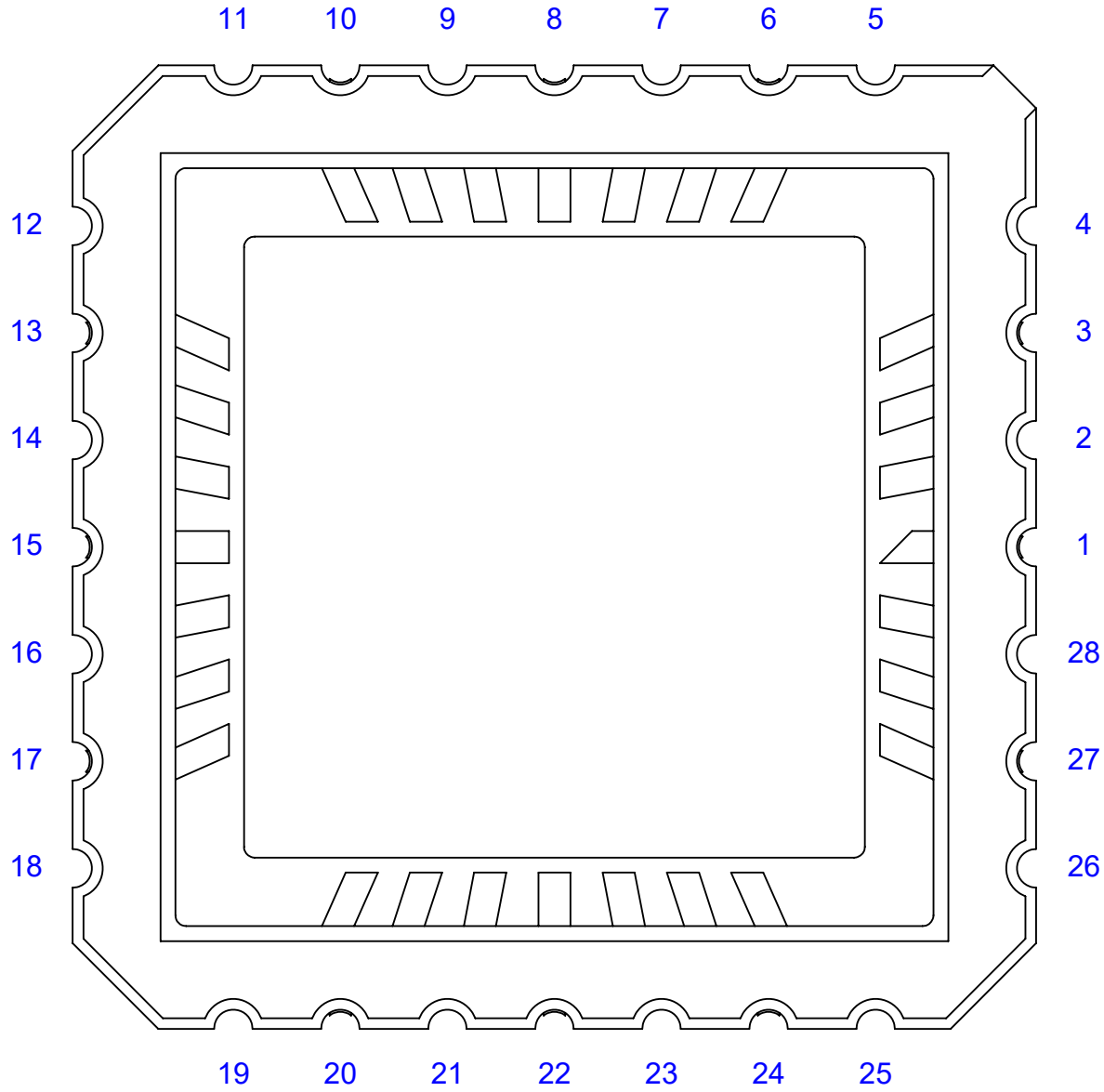
NOTES: (Unless Otherwise Specified).
1) DIMENSION in INCH.

2) PLATING:
Ni: NONE
Au: 20 Micro-inch (0.5 μ m) MIN.

3) SEAL RING AND DIE ATTACH SHALL BE ISOLATED FROM ALL LEADS.

APPROVALS	DATE	TopLine®			
DRAWN T. Au	4/17/2022				
ENG M. Hart	4/17/2022	TITLE LCC28B50SQ.45-NM290 NON-MAGNETIC			
MFG		SCALE 6:1	SIZE A	DRAWING NO. 142802	REV A
QA					
CUST		DO NOT SCALE DRAWING			SHEET 1 OF 3
REVISED					

BOND PAD DIAGRAM

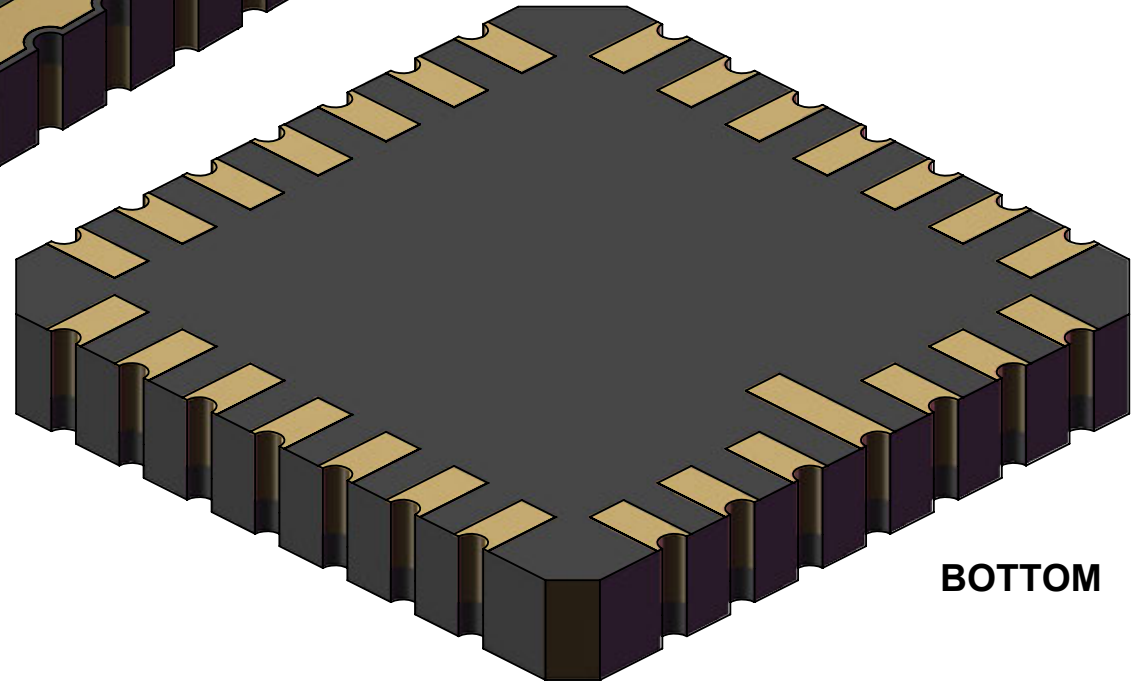
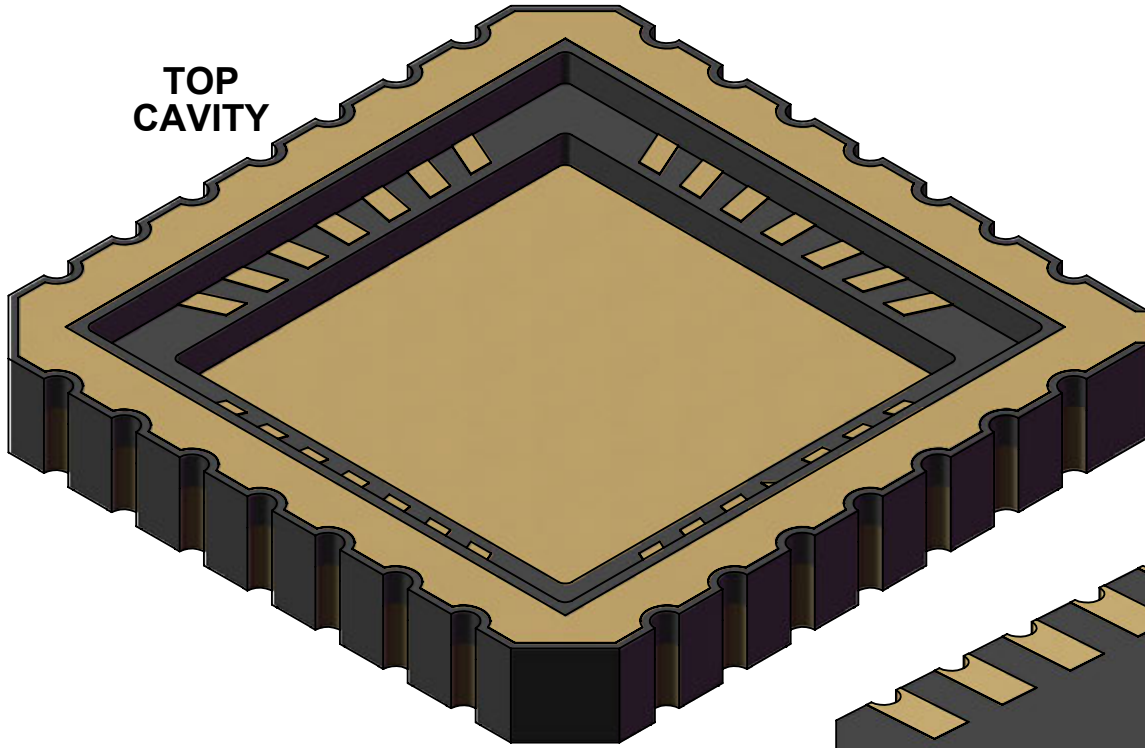


TopLine[®]

TITLE LCC28B50SQ.45-NM290 NON-MAGNETIC			
SCALE 12:1	SIZE A	DRAWING NO. 142802	REV A
DO NOT SCALE DRAWING		SHEET 2 OF 3	

MODEL

TOP
CAVITY



BOTTOM

TopLine[®]

TITLE LCC28B50SQ.45-NM290
NON-MAGNETIC

SCALE 10:1	SIZE A	DRAWING NO. 142802	REV A
---------------	-----------	-----------------------	----------

DO NOT SCALE DRAWING

SHEET 3 OF 3