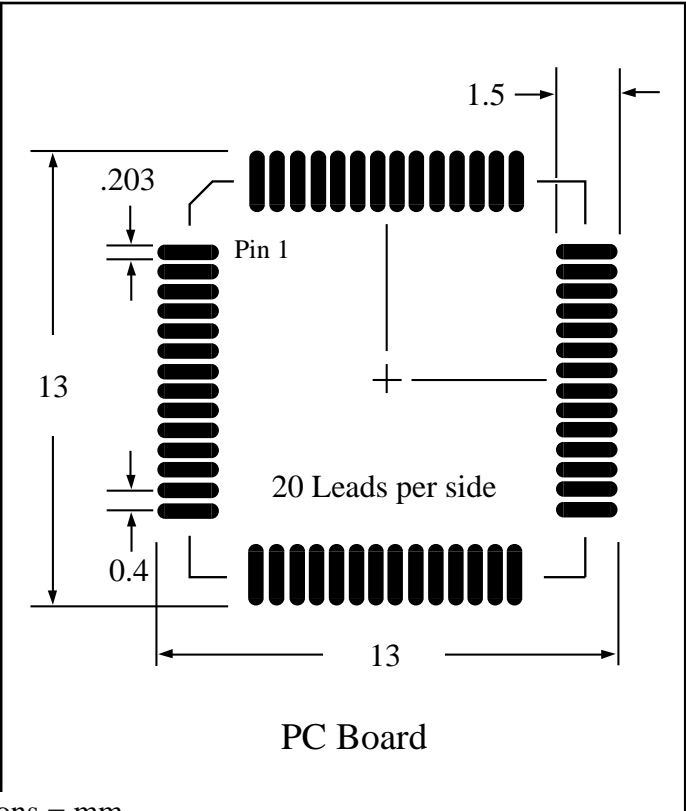
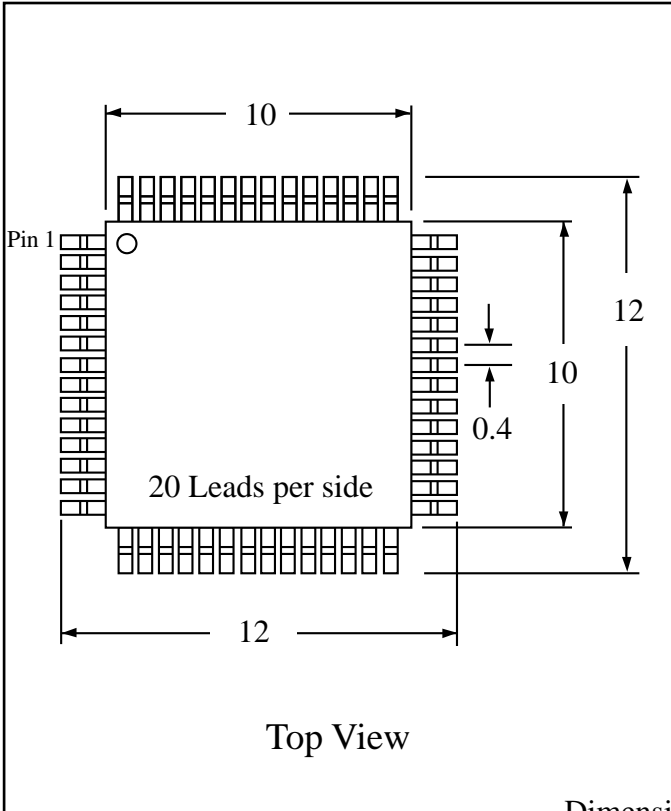


Part # **TQFP80T15.7**
 Leads **80** Pitch **0.4mm**
 Body Size **10mm SQ**

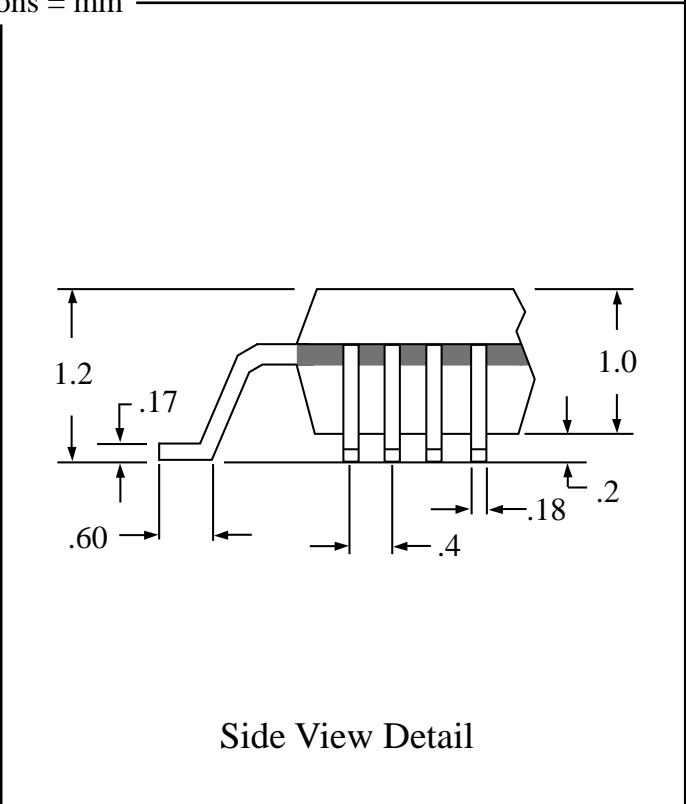
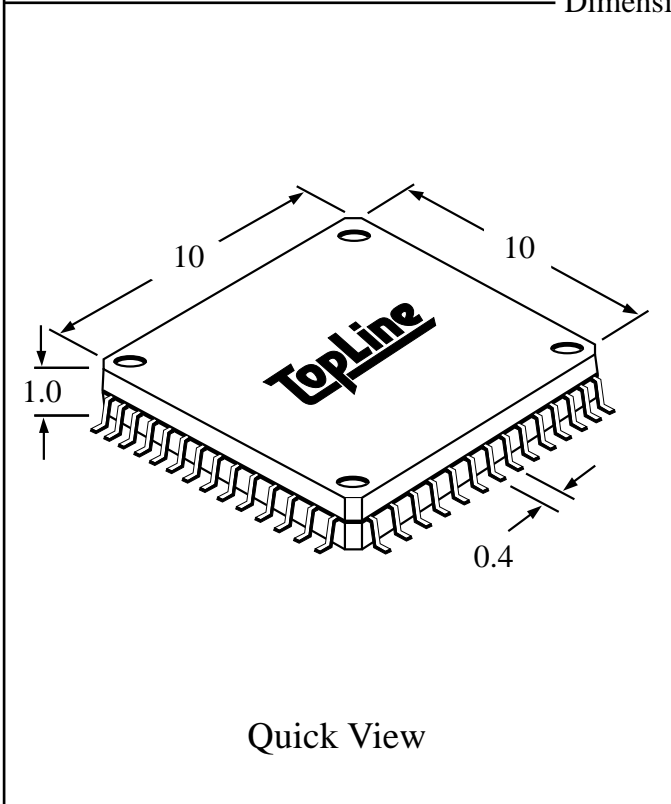
Available RoHS Pb-Free

TopLineTM

Tel 1-800-776-9888
 info@topline.tv



Dimensions = mm



TQFP	80	T	15.7	T -	DE -	D
Outline	Pins	Packaging	Pitch	Plating	Daisy Chain	Die
TQFP= 1.0mm Body	80	T = Tray E = Tape E13A=13" Reel	15.7 = 0.4mm 19.7 = 0.5mm 25 = 0.65mm 30 = 0.8mm 40 = 1.0mm	RoHS Pb Free T = Sn Matte Tin B = Sn/Bi (special) Blank = SnPb	DE = Daisy Chain ISO = Isolated Blank = Undefined	D = Dummy Die Blank = Undefined
LQFP= 1.4mm Body						

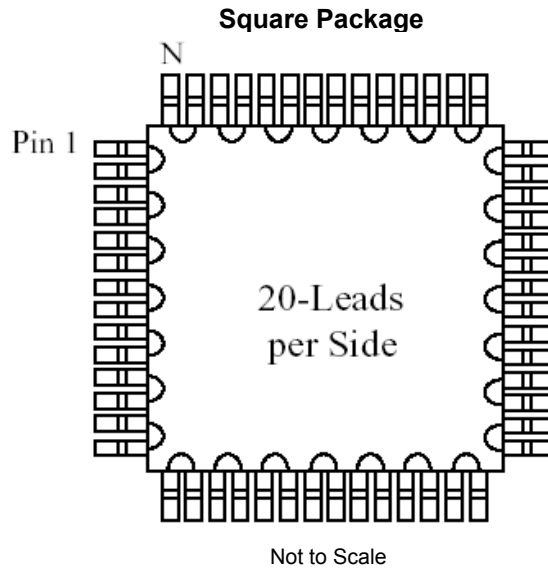
Ordering Steps:

- Step 1: Select outline body thickness TQFP (1.0mm) or LQFP (1.4mm).
- Step 2: Choose packaging. Tray is standard. Tape and Reel is available.
- Step 3: Select plating requirements. RoHS Pb-Free or SnPb
- Step 4: Select options according to your application. See chart below.

Part Number Packaged in Tray (Standard)	Options				Applications					
	Plating	Daisy Chain	Dummy Die	Isolated Pins	Mounting Practice	Rework Solder Practice	Reflow Temperature Profiling	Continuity Test	Life Cycle Test	S.I.R. Test
TQFP80T15.7	SnPb	No	No	No	x	x				
TQFP80T15.7T	Pb-Free	No	No	No	x	x				
TQFP80T15.7-DE-D	SnPb	Yes	Yes	No	x	x	x	x	x	
TQFP80T15.7T-DE-D	Pb-Free	Yes	Yes	No	x	x	x	x	x	
TQFP80T15.7-ISO	SnPb	No	No	Yes	x	x	x			x
TQFP80T15.7T-ISO	Pb-Free	No	No	Yes	x	x	x			x

Part Number Packaged in Tape and Reel	Options				Applications					
	Plating	Daisy Chain	Dummy Die	Isolated Pins	Mounting Practice	Rework Solder Practice	Reflow Temperature Profiling	Continuity Test	Life Cycle Test	S.I.R. Test
TQFP80E13A15.7	SnPb	No	No	No	x	x				
TQFP80E13A15.7T	Pb-Free	No	No	No	x	x				
TQFP80E13A15.7-DE-D	SnPb	Yes	Yes	No	x	x	x	x	x	
TQFP80E13A15.7T-DE-D	Pb-Free	Yes	Yes	No	x	x	x	x	x	
TQFP80E13A15.7-ISO	SnPb	No	No	Yes	x	x	x			x
TQFP80E13A15.7T-ISO	Pb-Free	No	No	Yes	x	x	x			x

Visit www.TopLine.tv or email info@TopLine.tv for applications assistance.



Daisy Chain Net List TQFP80, LQFP80 and QFP80

Net List		Net List	
From Pin	To Pin	From Pin	To Pin
1	2	41	42
3	4	43	44
5	6	45	46
7	8	47	48
9	10	49	50
11	12	51	52
13	14	53	54
15	16	55	56
17	18	57	58
19	20	59	60
21	22	61	62
23	24	63	64
25	26	65	66
27	28	67	68
29	30	69	70
31	32	71	72
33	34	73	74
35	36	75	76
37	38	77	78
39	40	79	80

Visit www.TopLine.tv or email info@TopLine.tv for applications assistance.