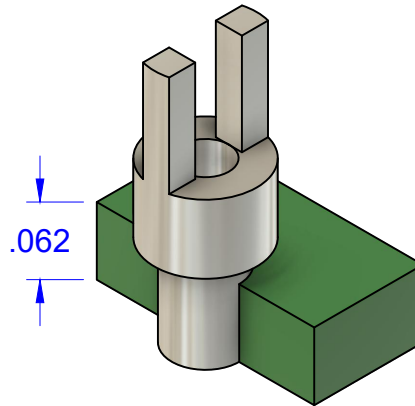
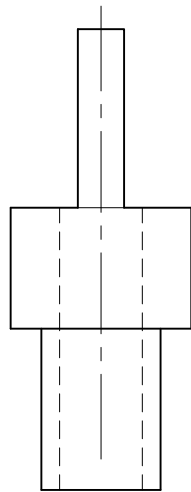
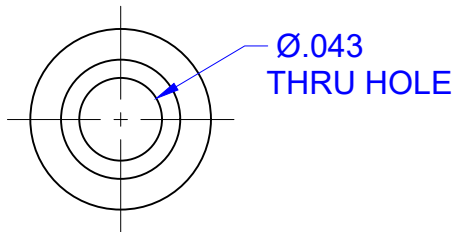
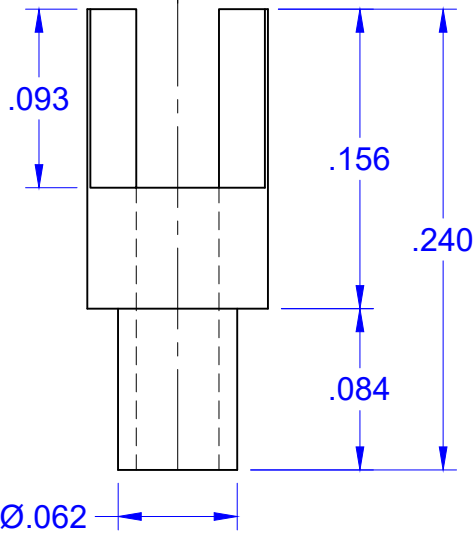
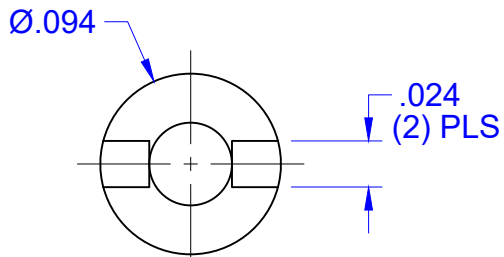
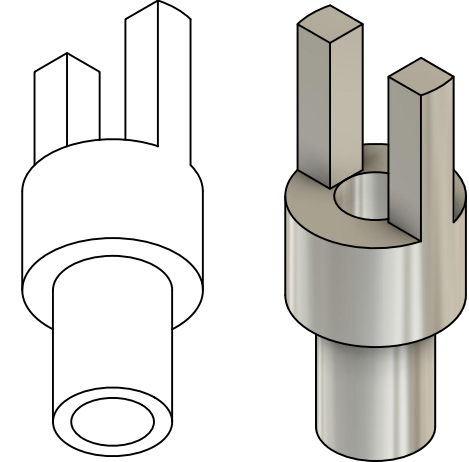


BIFURCATED TERMINAL B 0.062" THICK BOARD



MOUNTED ON BOARD


MODELS



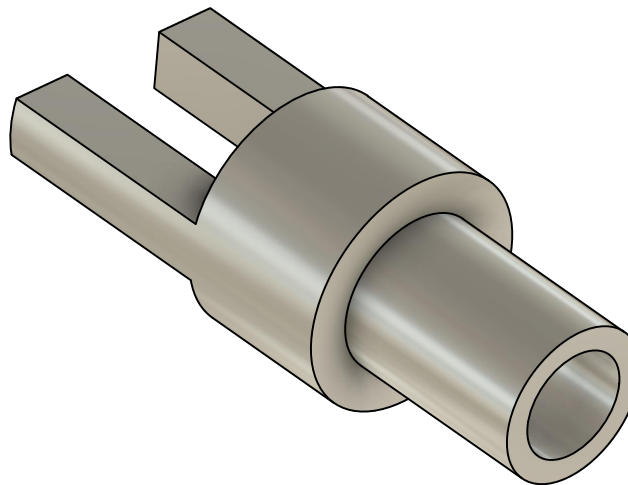
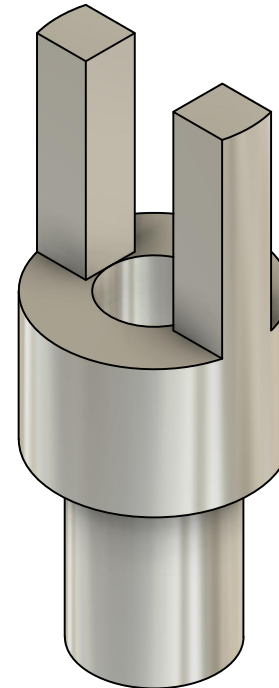
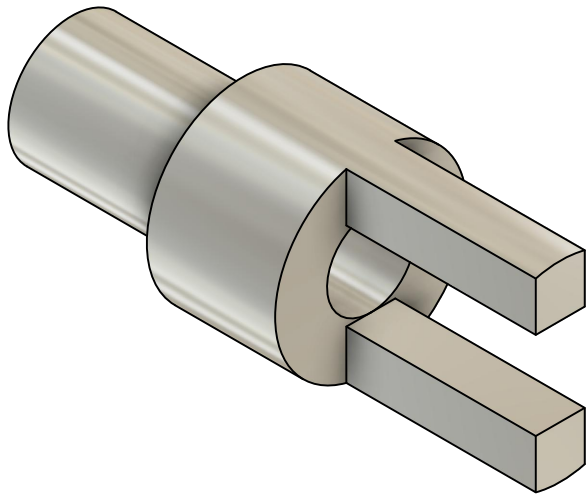
ORDER NUMBER TABLE	
ORDER NUMBER	STANDARD PACKAGE QTY
113000	1
113005	5
113025	25
113100	100
113500	500
113999	1000

NOTES: (UNLESS OTHERWISE SPECIFIED)

1. DIMENSION INCH [mm]
2. MATERIAL: BRASS ASTM-B16
3. PLATING: ELECRO-TIN PER MIL-T-10727 Type 1

APPROVAL	DATE	 TITLE BIFURCATED TERMINAL B 113XXX SERIES				
DRAWN Willy Pegues	5/30/2023					
ENG						
MFG						
QA						
CUST						
REVISED J. Dietrich	6/21/2023	THIRD ANGLE PROJECTION	SCALE 10:1	SIZE A	DWG NO 113000	REV A
			DO NOT SCALE		SHEET 1 OF 3	

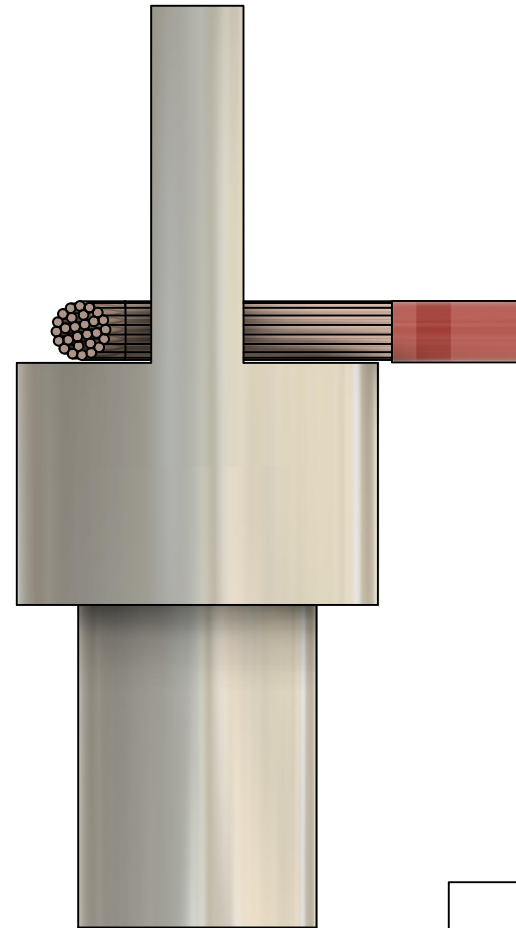
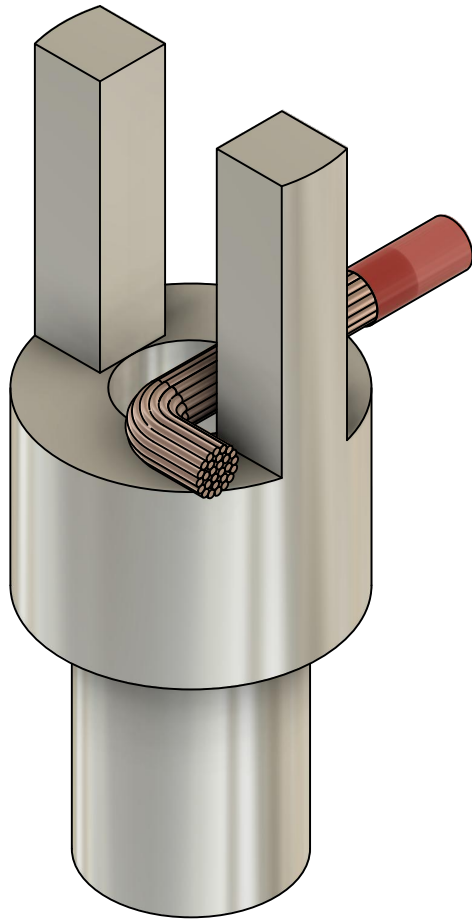
MODELS BIFURCATED TERMINAL B



TopLine[®]

TITLE			
BIFURCATED TERMINAL B 113XXX SERIES			
SCALE	SIZE	DWG NO	REV
15:1	A	113000	A
DO NOT SCALE			SHEET 2 OF 3

EXAMPLE WORKMANSHIP
BIFURCATED TERMINAL B



TopLine[®]

TITLE			
BIFURCATED TERMINAL B 113XXX SERIES			
SCALE	SIZE	DWG NO	REV
20:1	A	113000	A
DO NOT SCALE			SHEET 3 OF 3