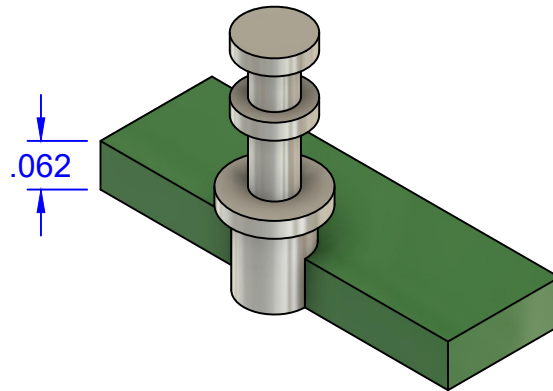
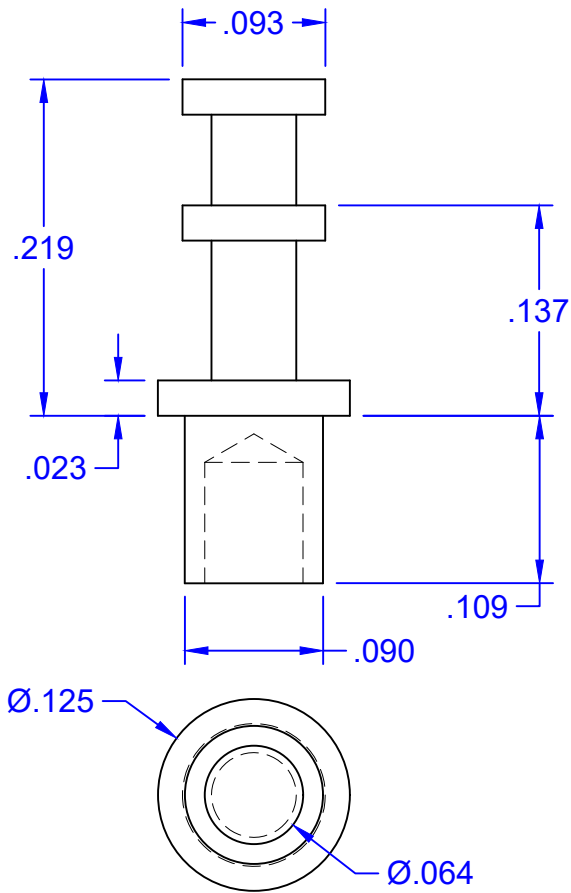
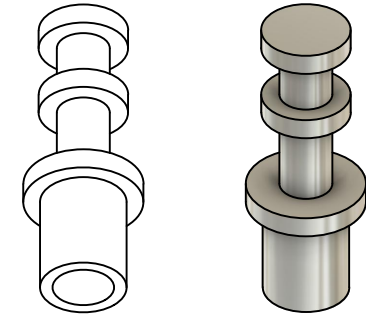


TURRET TERMINAL B 0.062" THICK BOARD



MOUNTED ON BOARD


MODELS



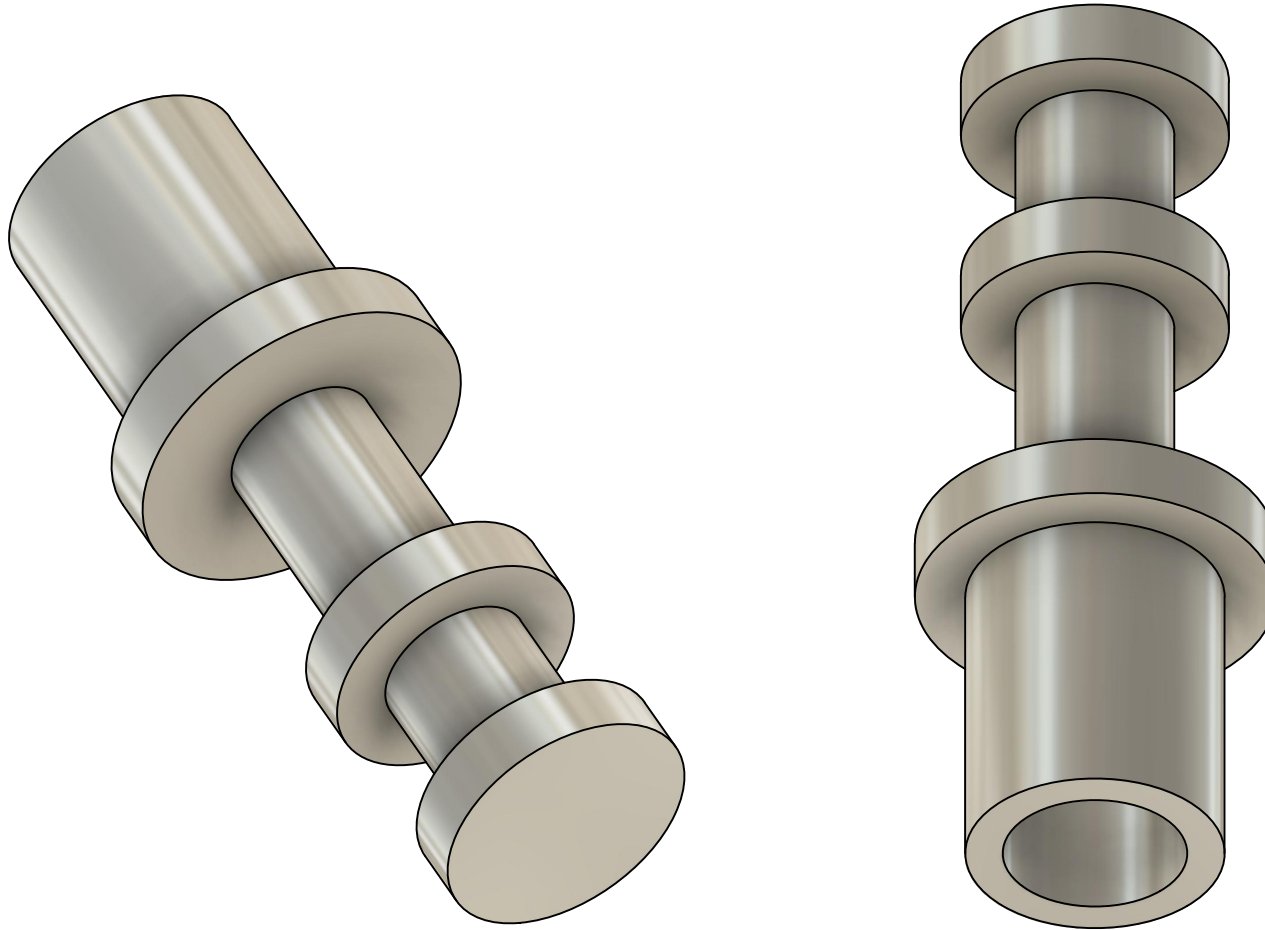
ORDER NUMBER TABLE	
ORDER NUMBER	STANDARD PACKAGE QTY
117000	1
117005	5
117025	25
117100	100
117500	500
117999	1000

NOTES: (UNLESS OTHERWISE SPECIFIED)

1. DIMENSION INCH [mm]
2. MATERIAL: BRASS ASTM-B16
3. PLATING: ELECTRO-TIN PER MIL-T-10727 Type 1

APPROVAL	DATE	 TITLE TURRET TERMINAL B 117XXX SERIES				
DRAWN Willy Pegues	4/23/2023					
ENG						
MFG						
QA						
CUST						
REVISED J. Dietrich	06/22/2023	THIRD ANGLE PROJECTION	SCALE 8:1	SIZE A	DWG NO 117000	REV A
			DO NOT SCALE		SHEET 1 OF 3	

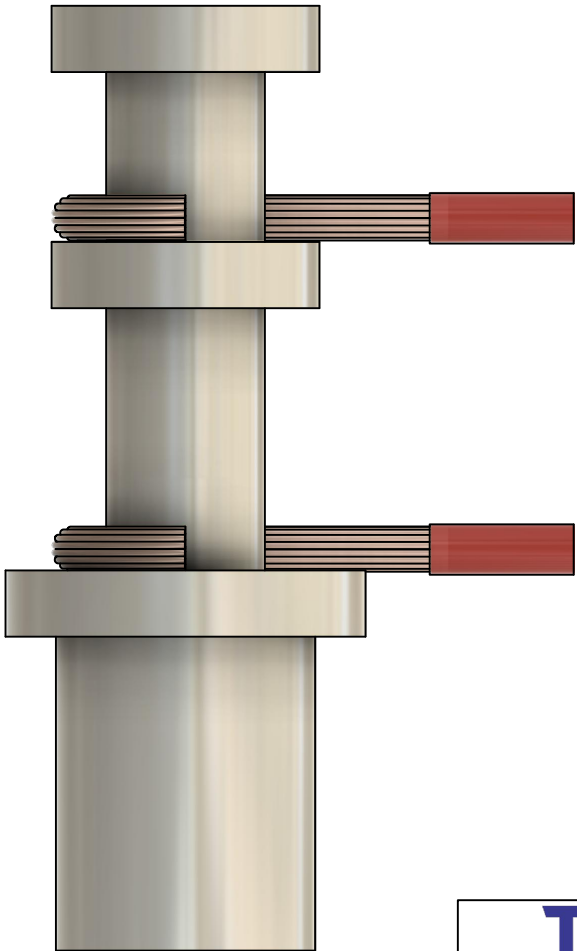
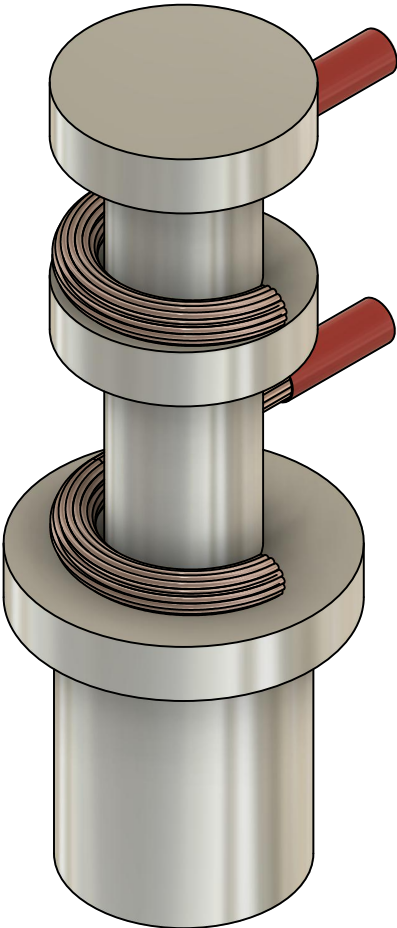
MODEL
TURRET TERMINAL B



TopLine[®]

TITLE			
TURRET TERMINAL B 117XXX SERIES			
SCALE	SIZE	DWG NO	REV
15:1	A	117000	A
DO NOT SCALE			SHEET 2 OF 3

EXAMPLE WORKMANSHIP TURRET TERMINAL B



TopLine[®]			
TITLE TURRET TERMINAL B 117XXX SERIES			
SCALE 15:1	SIZE A	DWG NO 117000	REV A
DO NOT SCALE			SHEET 3 OF 3