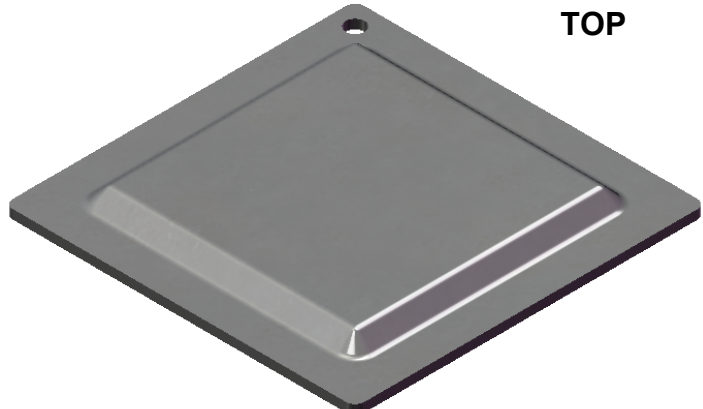
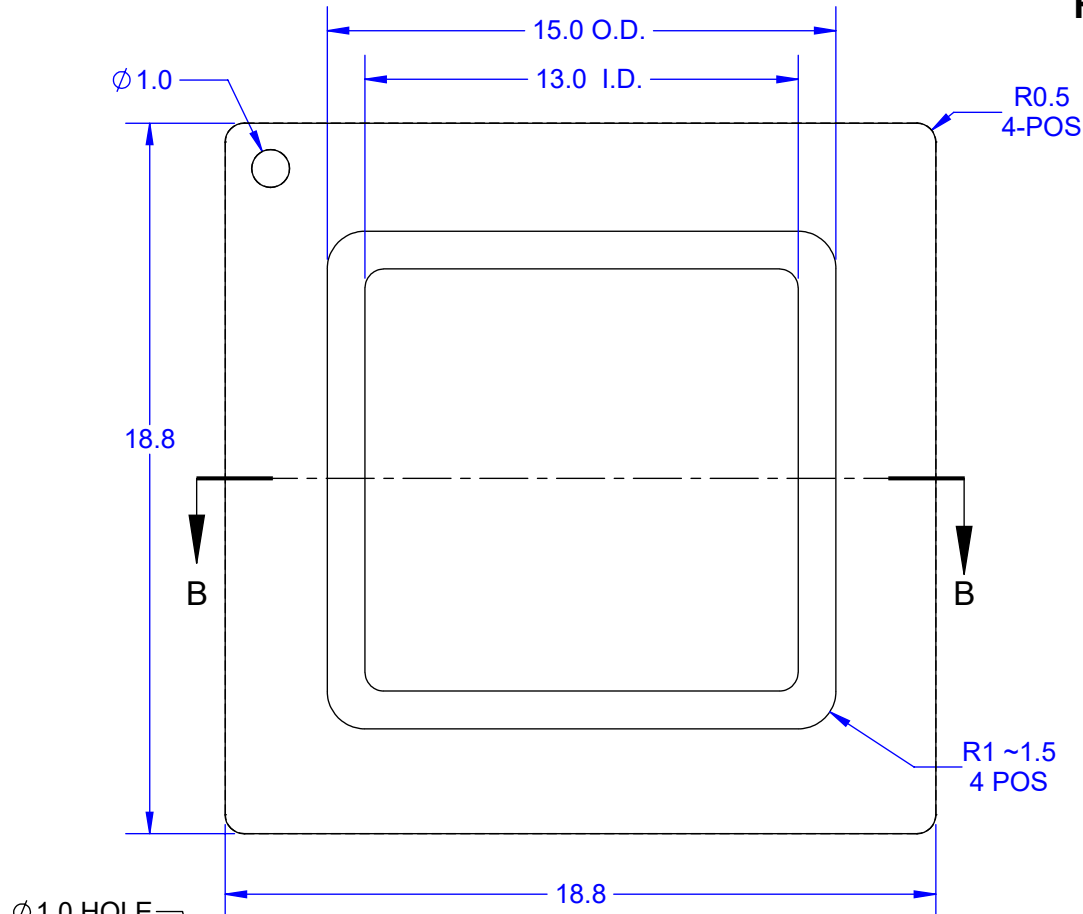
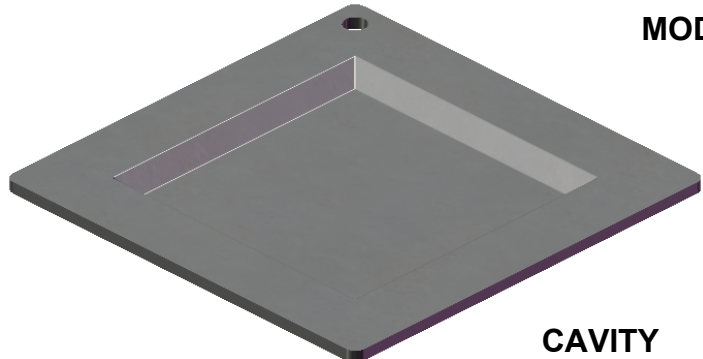


HEAT SPREADER

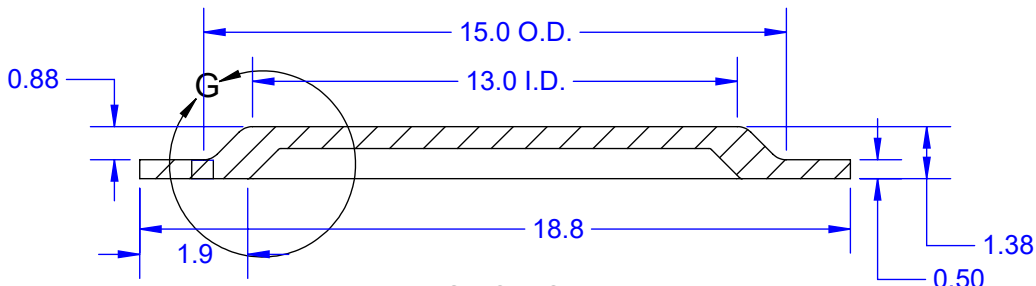
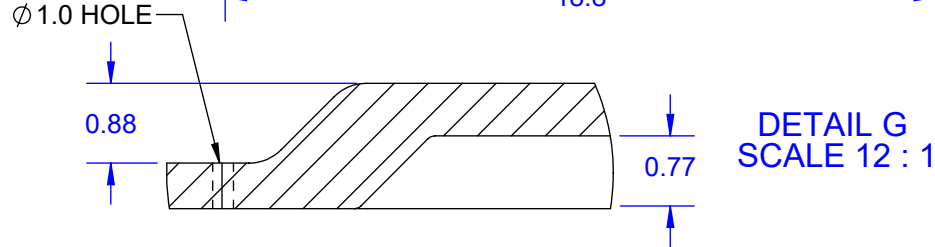


TOP



MODEL

CAVITY



SECTION B-B
SCALE 5 : 1

NOTES:

- 1. DIMENSION in MM
- 2. MATERIAL: COPPER ALLOY C1020 OR C1100
HALF HARD, OXYGEN FREE
- 3. PLATING: NICKEL 5um MIN (SEMI FINISH)

APPROVALS	DATE	TopLine®			
DRAWN T.Au	11/16/2022				
ENG M. Hart	11/16/2022	TITLE H-CAP19A HEAT SPREADER			
MFG		SCALE 3:1	SIZE A	DRAWING NO. 219710	REV A
QA					
CUST		DO NOT SCALE DRAWING			SHEET 1 OF 1
REVISED					