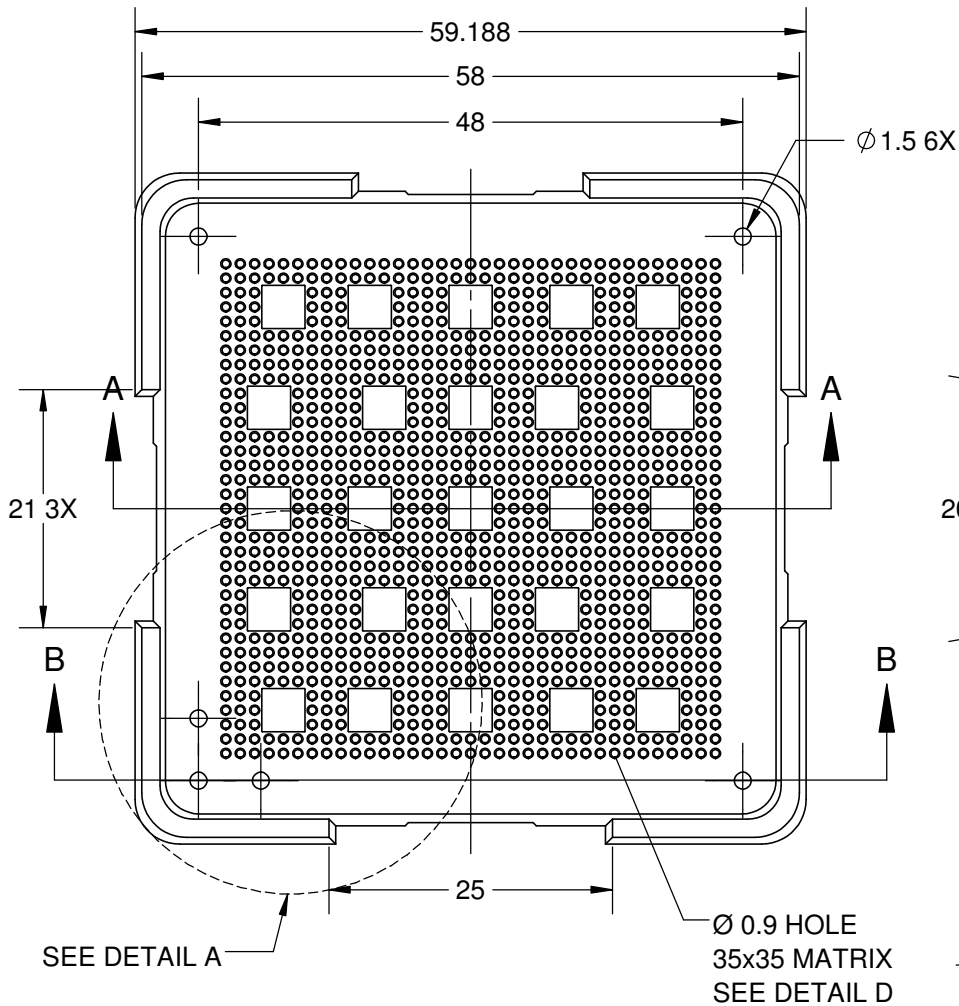
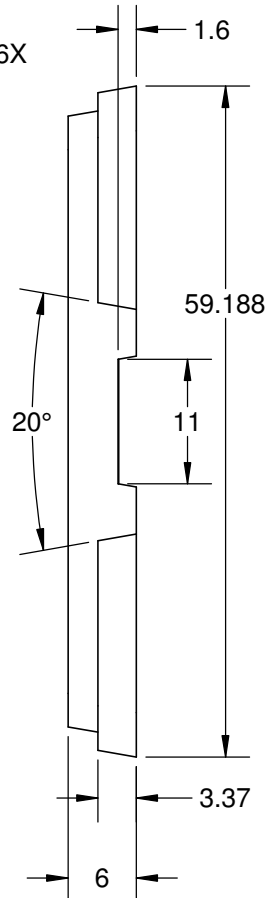


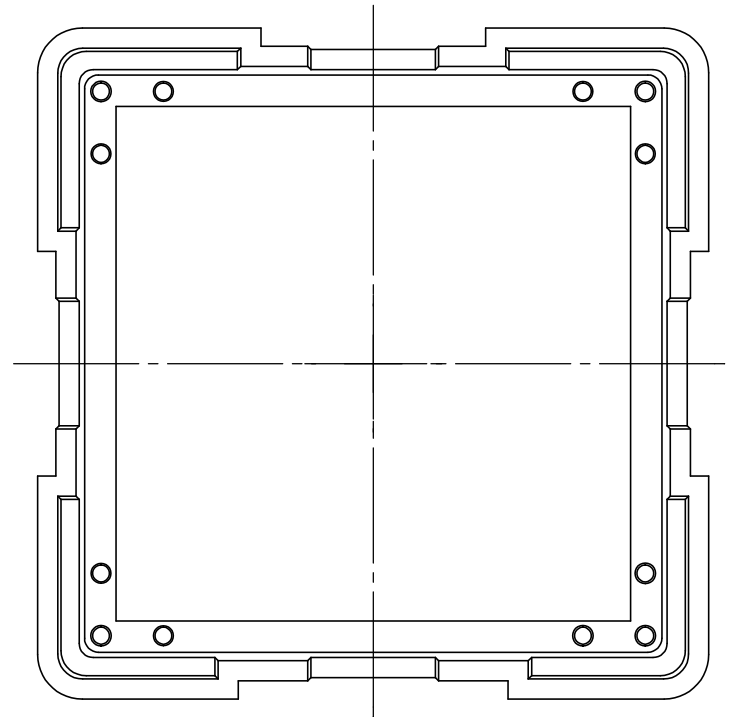
TOP



SIDE



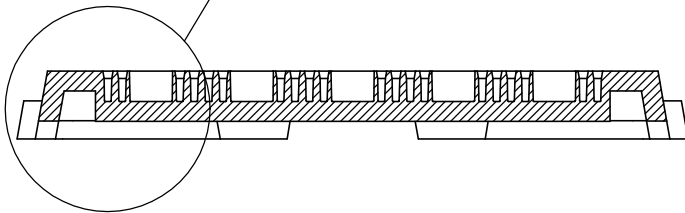
BOTTOM



NOTES:

1. DIMENSION MM.
2. MATERIAL: BLUE ABS PERMASTAT® 600
3. TEMPERATURE 60° MAX.
4. MASS 15.1 GRAMS.
5. PERMANENT ESD ANTI-STATIC
6. RESISITIVITY $10^9 \sim 10^{10} \Omega$

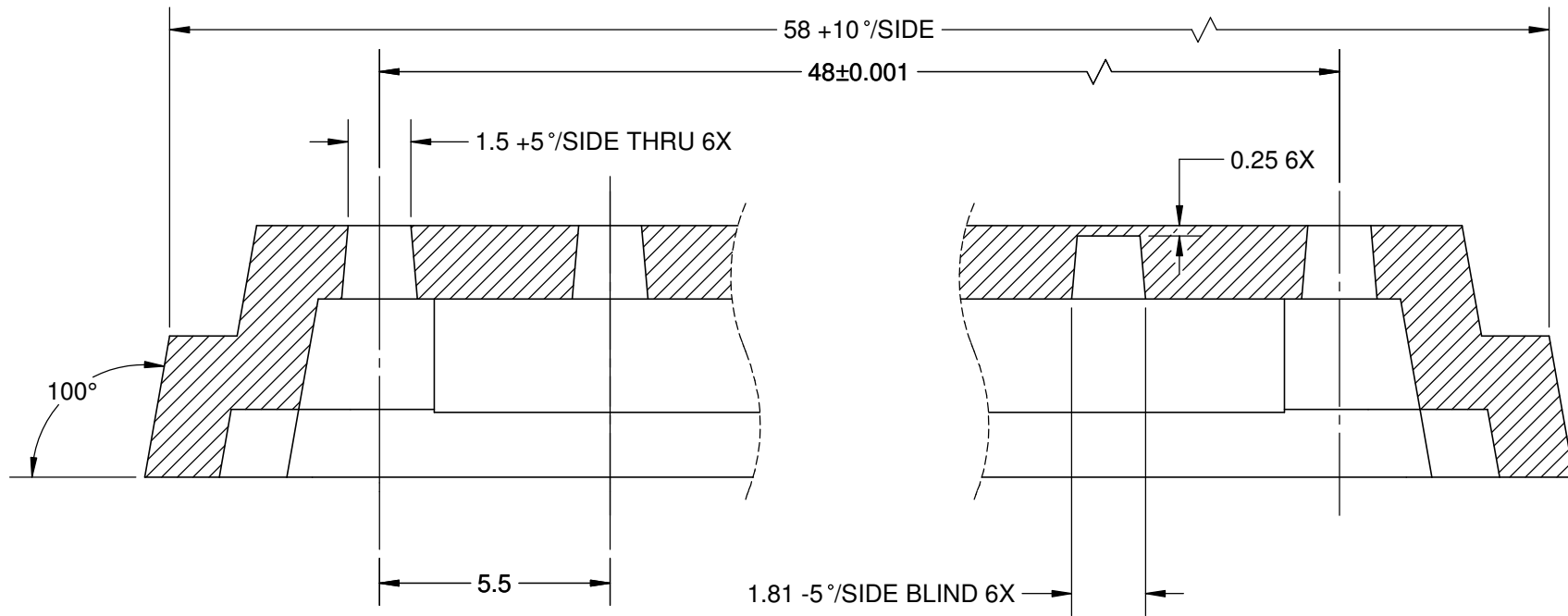
SEE DETAIL B



SECTION A-A

APPROVALS	DATE	TopLine®			
DRAWN T. Au	3/13/2018				
ENG M. Hart	3/13/2018	TITLE CCGA UNIVERSAL CARRIER PITCH 1.27MM			
MFG		SCALE	SIZE	DRAWING NO.	REV
QA		3:2	A	032000	B
CUST		DO NOT SCALE DRAWING			SHEET 1 OF 7
REVISED					

SECTION B-B CORNER FIDUCIAL



TopLine®

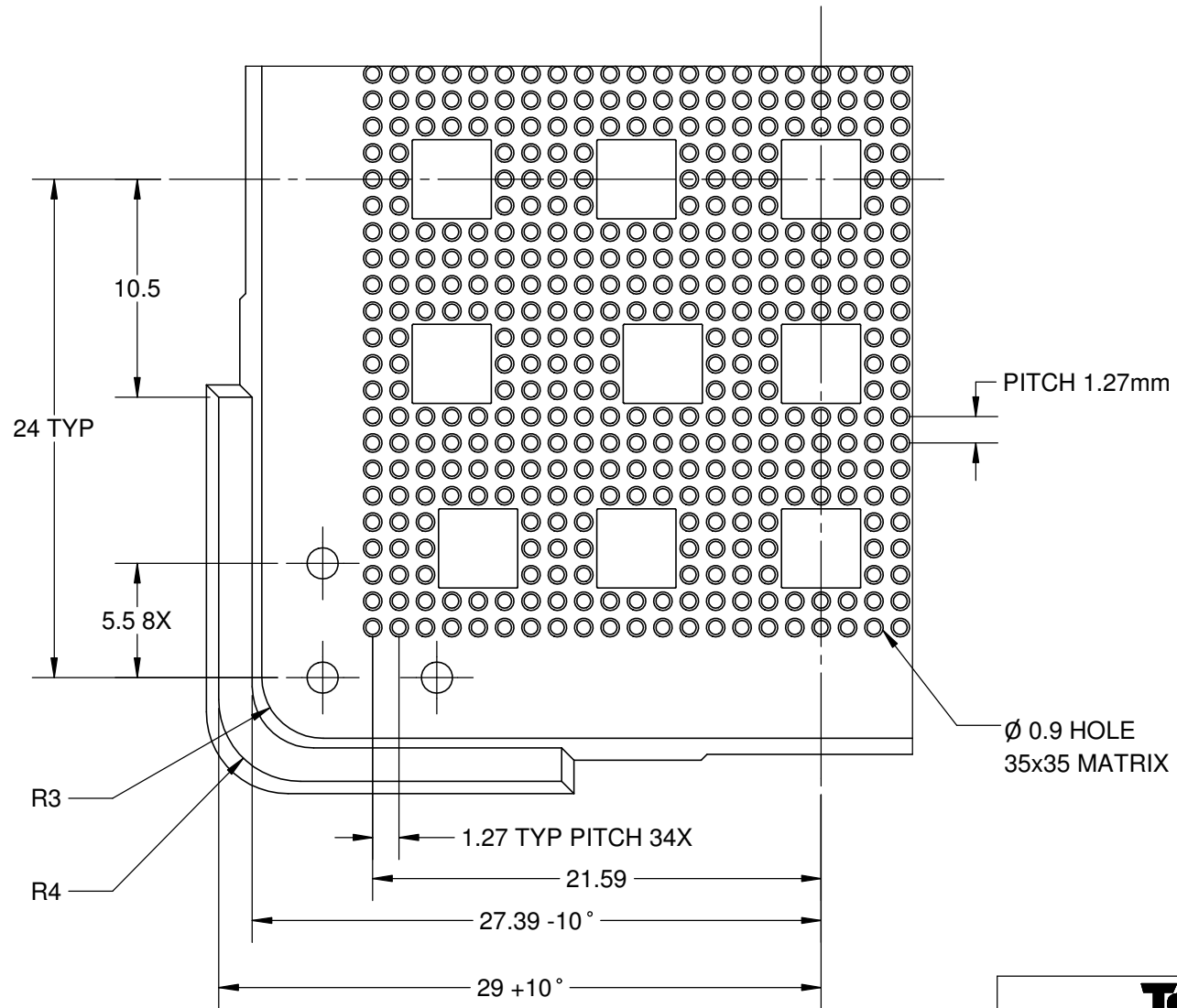
TITLE CCGA UNIVERSAL CARRIER
PITCH 1.27MM

SCALE 6:1	SIZE A	DRAWING NO. 032000	REV B
--------------	-----------	-----------------------	----------

DO NOT SCALE DRAWING

SHEET 2 OF 7

DETAIL A



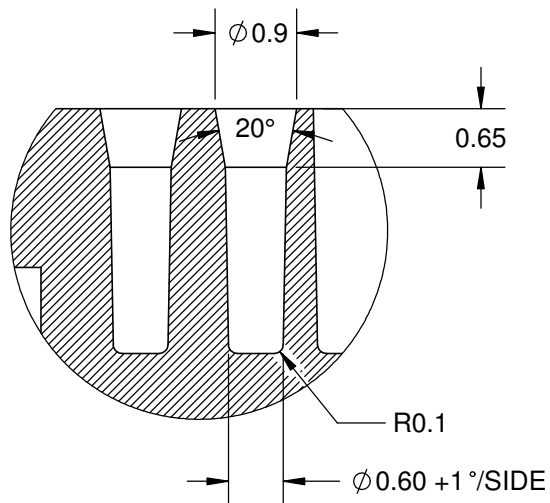
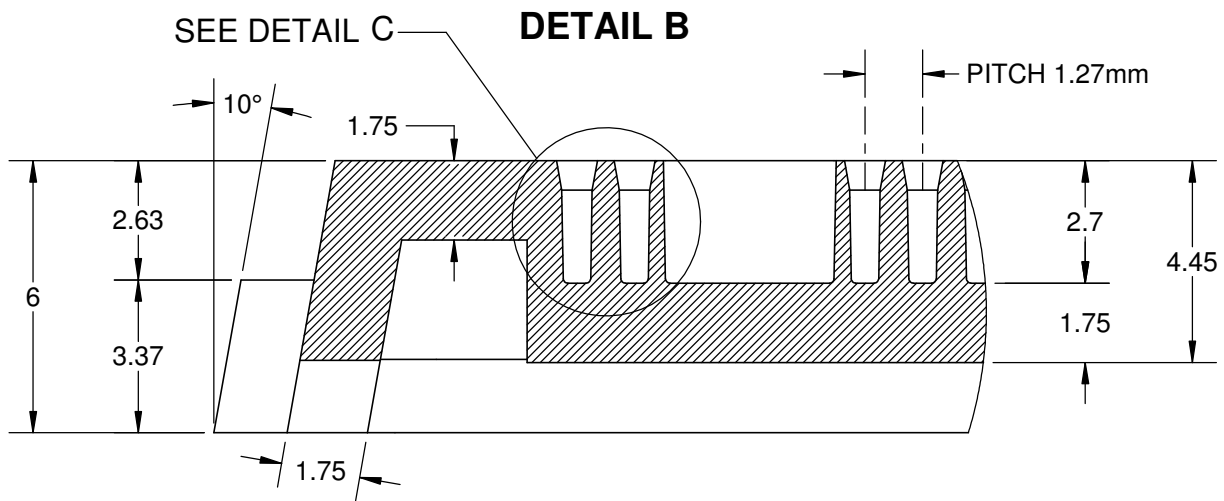
TopLine®

TITLE CCGA UNIVERSAL CARRIER
PITCH 1.27MM

SCALE	SIZE	DRAWING NO.	REV
3:1	A	032000	B

DO NOT SCALE DRAWING

SHEET 3 OF 7



DETAIL C
SCALE 12 : 1

TopLine[®]

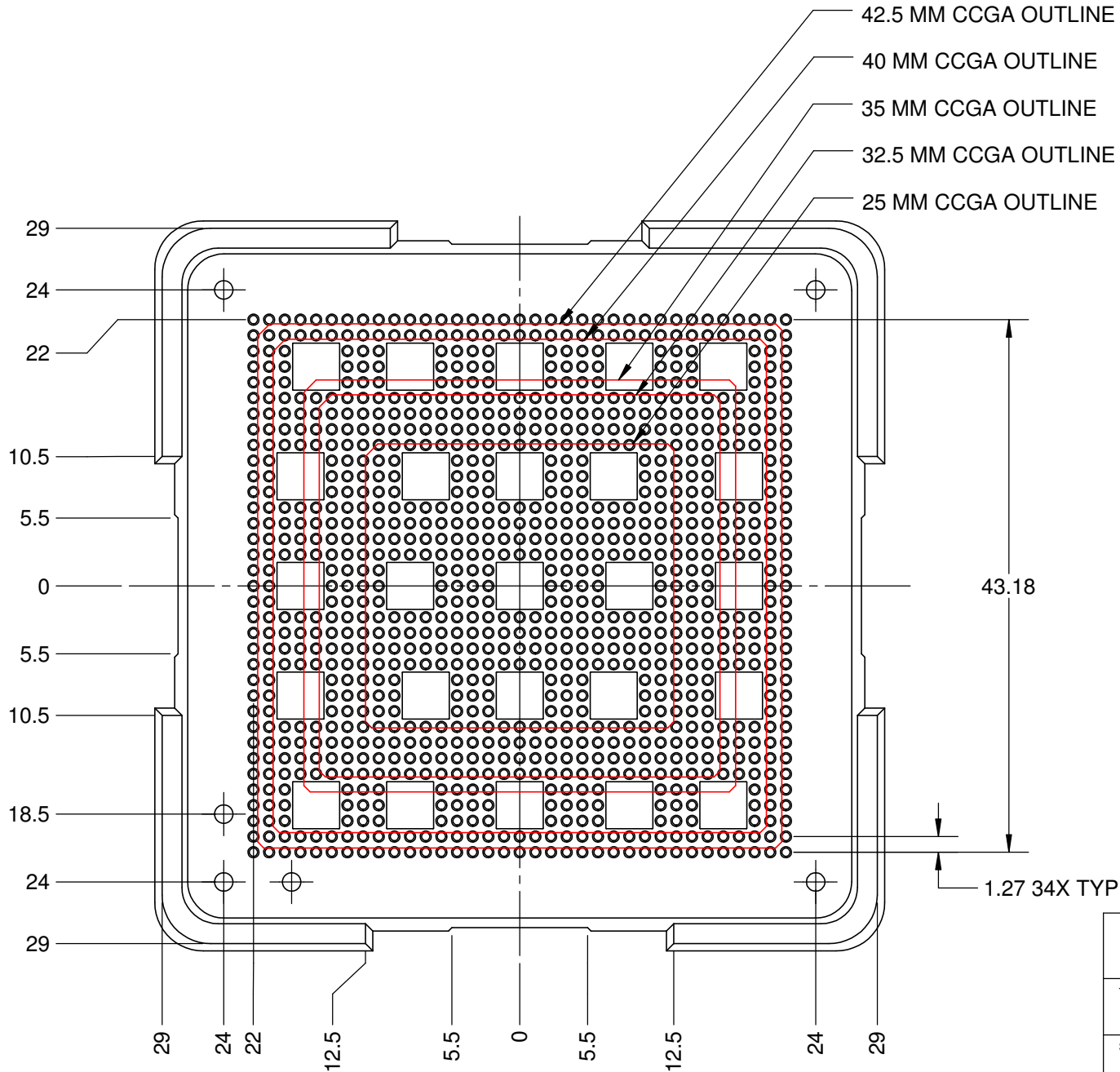
TITLE CCGA UNIVERSAL CARRIER
PITCH 1.27MM

SCALE 6:1	SIZE A	DRAWING NO. 032000	REV B
--------------	-----------	-----------------------	----------

DO NOT SCALE DRAWING

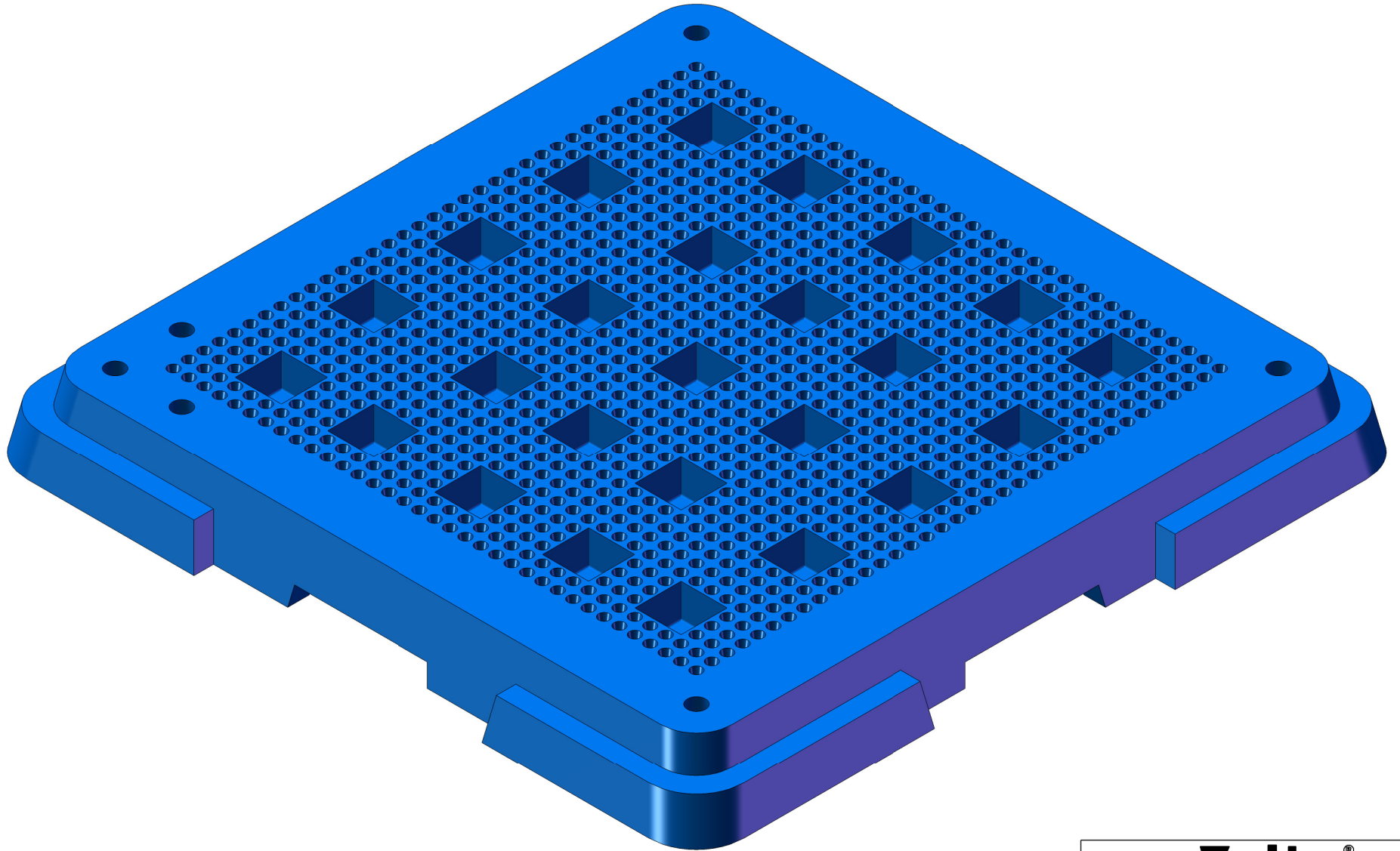
SHEET 4 OF 7

DETAIL D



TITLE CCGA UNIVERSAL CARRIER PITCH 1.27MM			
SCALE 2:1	SIZE A	DRAWING NO. 032000	REV B
DO NOT SCALE DRAWING		SHEET 5 OF 7	

MODEL
TOP



TopLine[®]

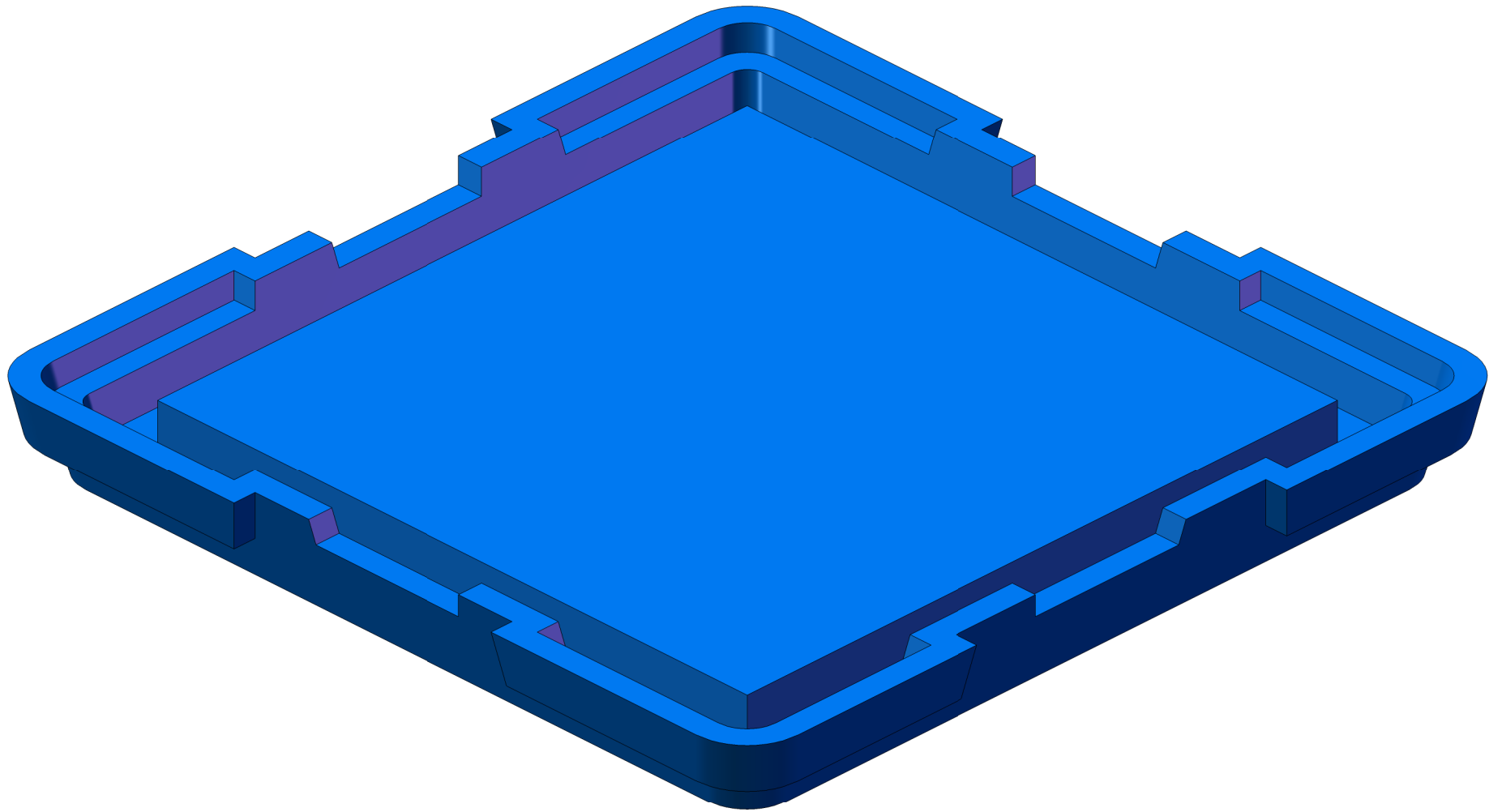
TITLE CCGA UNIVERSAL CARRIER
PITCH 1.27MM

SCALE 3:1	SIZE A	DRAWING NO. 032000	REV B
--------------	-----------	-----------------------	----------

DO NOT SCALE DRAWING

SHEET 6 OF 7

**MODEL
BOTTOM**



TopLine[®]

TITLE CCGA UNIVERSAL CARRIER
PITCH 1.27MM

SCALE 3:1	SIZE A	DRAWING NO. 032000	REV B
--------------	-----------	-----------------------	----------

DO NOT SCALE DRAWING

SHEET 7 OF 7