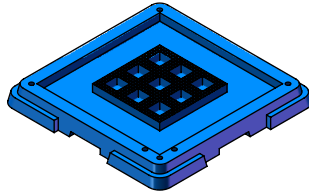
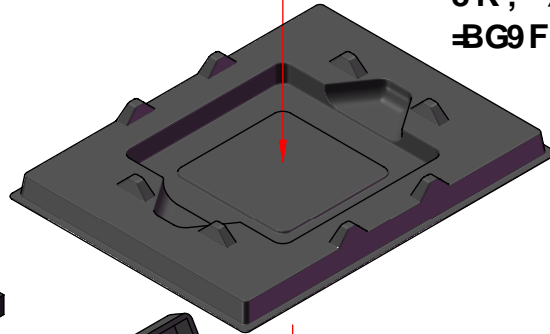


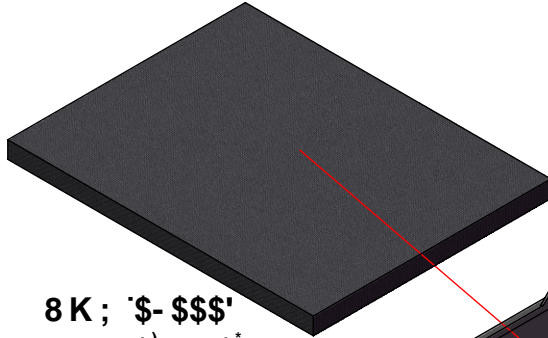
9LD@898`J=9K  
 77; 5`HF5 M6 CL`GMGH9A  
 %\$AA`D=H7 <



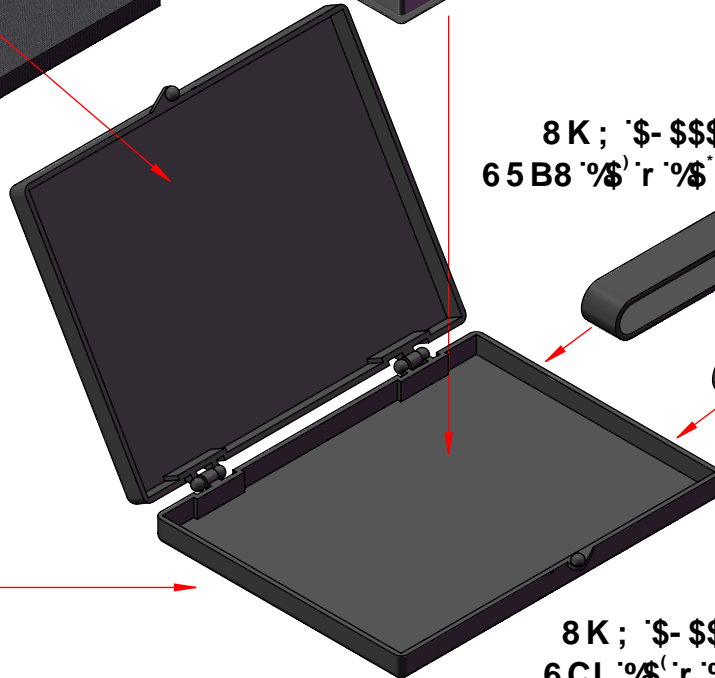
8K; '\$' %\$\$\$  
 6 @ 9`75 FF=9F  
 %\$`r`%\$`%&



8K; '%\$\$\$--  
 =BG9FH`%\$(`r`%\$`)

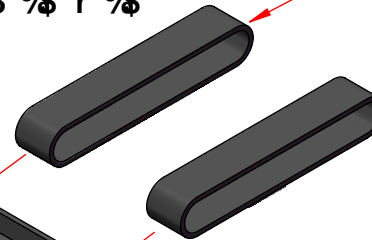


8K; '\$-\$\$\$'  
 : C5A`%\$`r`%\$`



8K; '\$-\$\$\$)  
 65B8`%\$`r`%\$`

71 GHCA9F  
 @69@



7 @CG98`6 CL

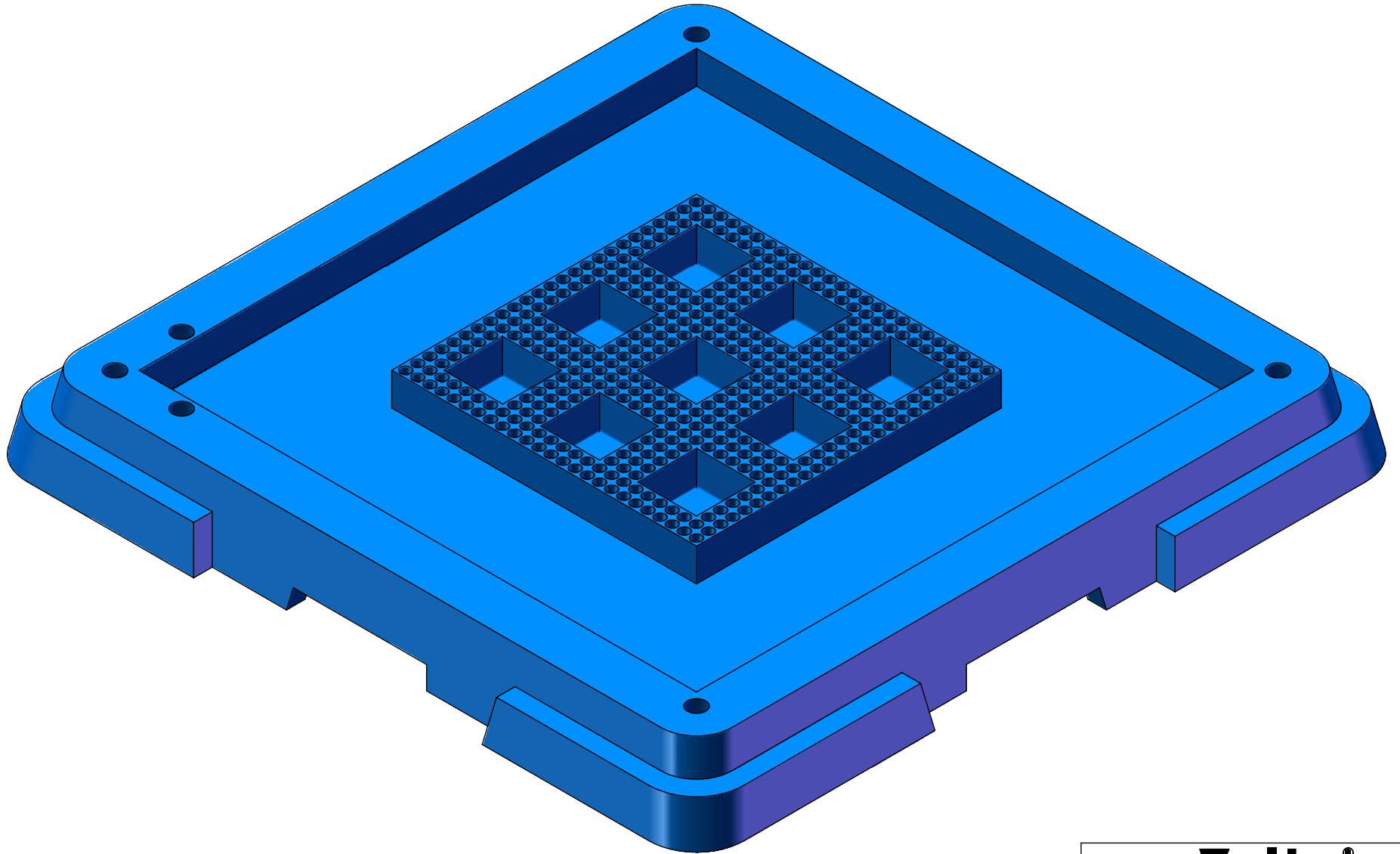
8K; '\$-\$\$\$-  
 =BG9FH`%\$`%&



8K; '\$-\$\$\$  
 6CL`%\$`r`%\$`

APPROVALS	DATE	<b>TopLine®</b>			
DRAWN T. Au	5/25/2019				
ENG M. Hart	5/25/2019	TITLE CCGA196 TRAY BOX BLUE CARRIER			
MFG		SCALE	SIZE	DRAWING NO.	REV
QA		1:2	A	931149	A
CUST		DO NOT SCALE DRAWING			SHEET 1 OF 10
REVISED					

AC89@  
HCD



**TopLine<sup>®</sup>**

TITLE CCGA196 TRAY BOX  
BLUE CARRIER

SCALE 3:1	SIZE A	DRAWING NO. 931149	REV
--------------	-----------	-----------------------	-----

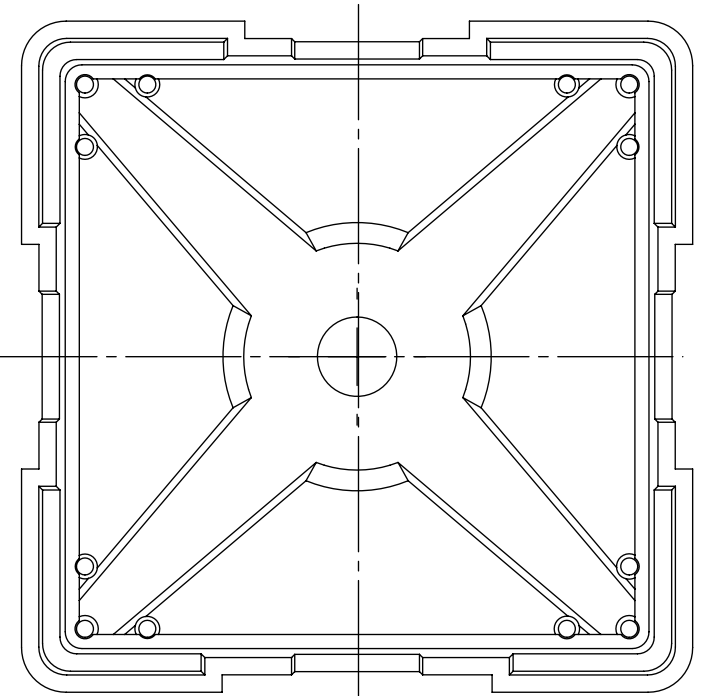
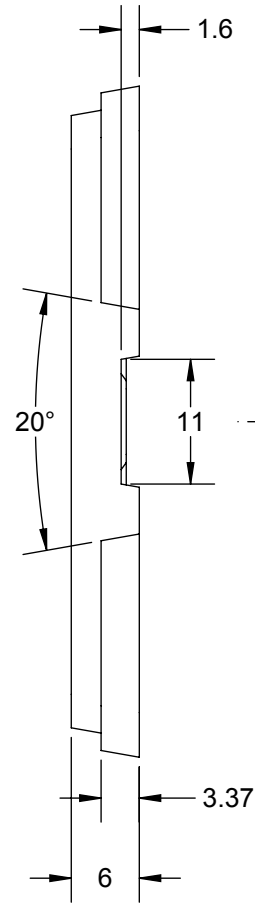
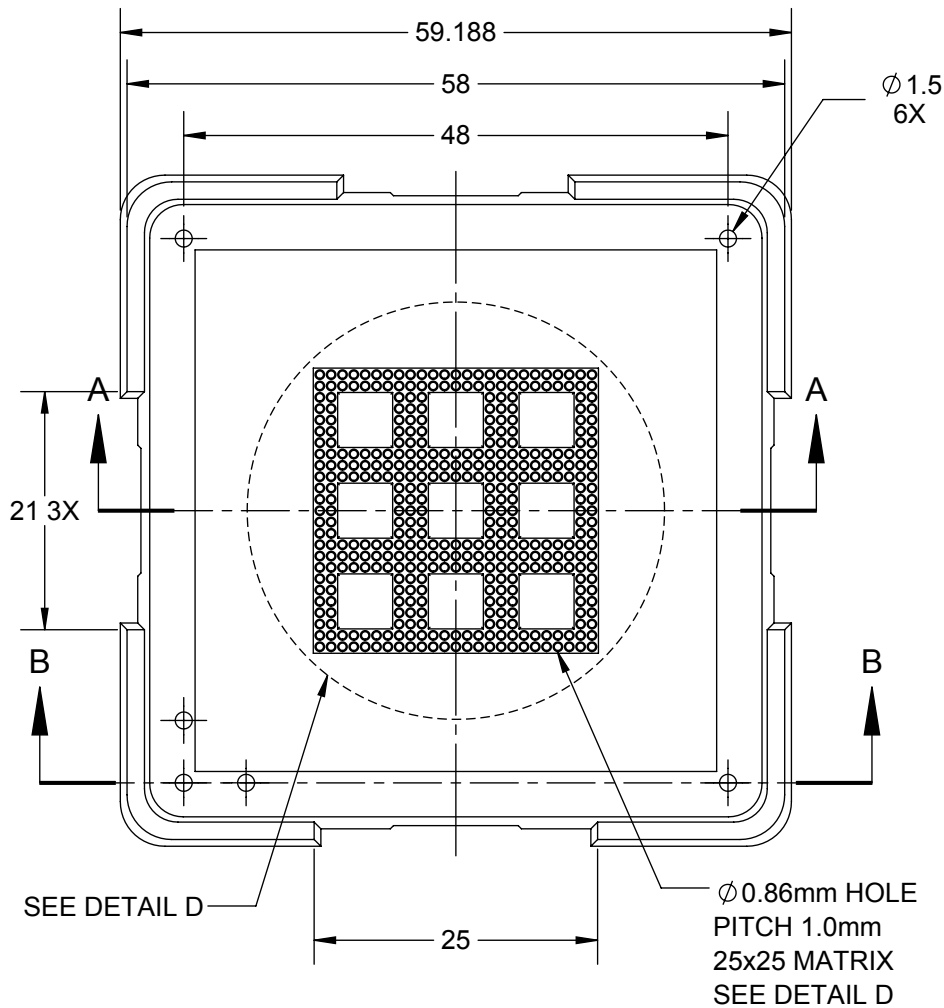
DO NOT SCALE DRAWING

SHEET 2 OF 10

HCD

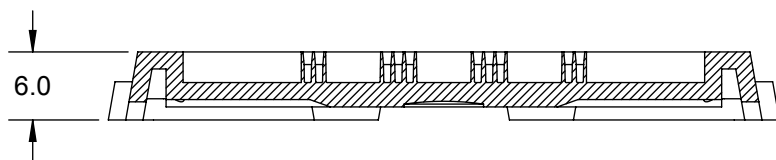
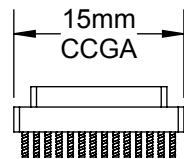
G89

6 CHCA



NOTES:

1. DIMENSION MM.
2. MATERIAL: BLUE ABS PERMASTAT® 600.
3. TEMPERATURE 60° MAX.
4. MASS 10.3 GRAMS.
5. PERMANENT ESD ANTI-STATIC
6. SURFACE RESISTIVITY  $10^{10} \sim 10^{12} \Omega$

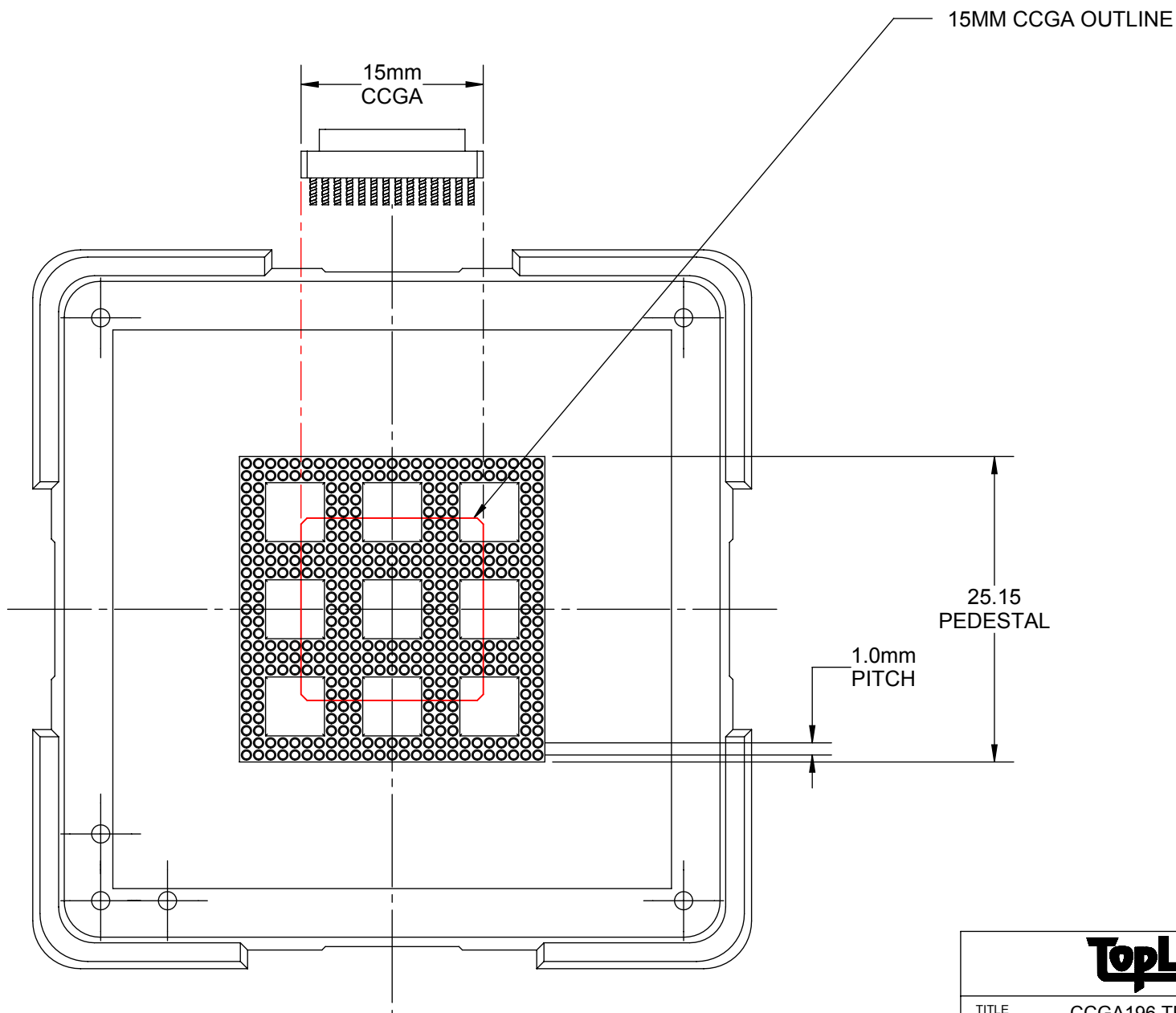


G97 HCB'5!5

**TopLine®**

TITLE			
CCGA196 TRAY BOX BLUE CARRIER			
SCALE	SIZE	DRAWING NO.	REV
3:2	A	931149	
DO NOT SCALE DRAWING			SHEET 3 OF 10

89H5=@8

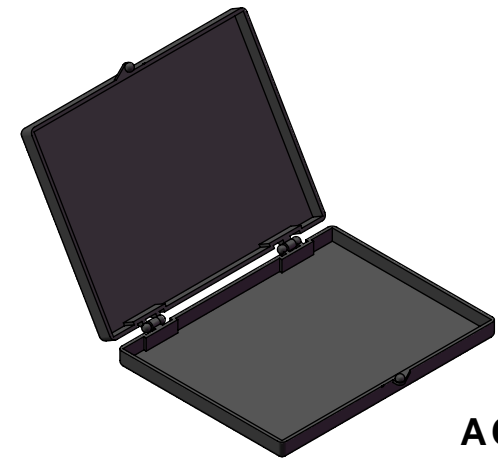
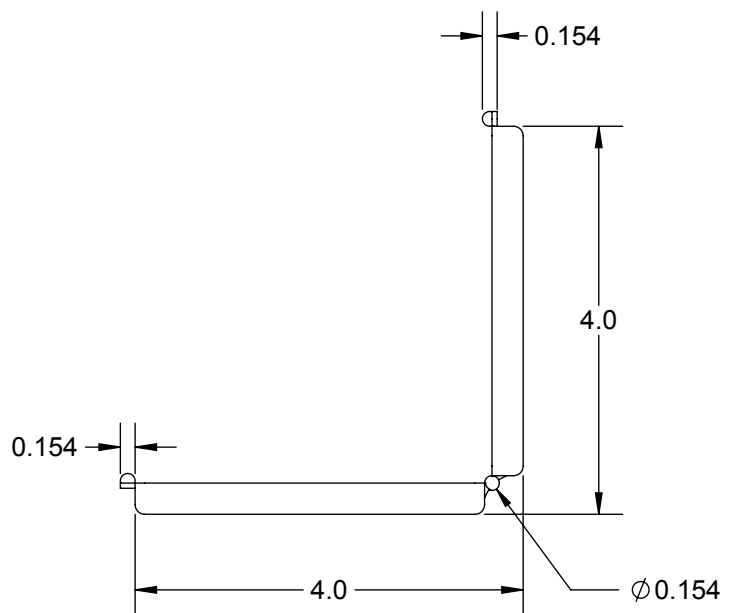
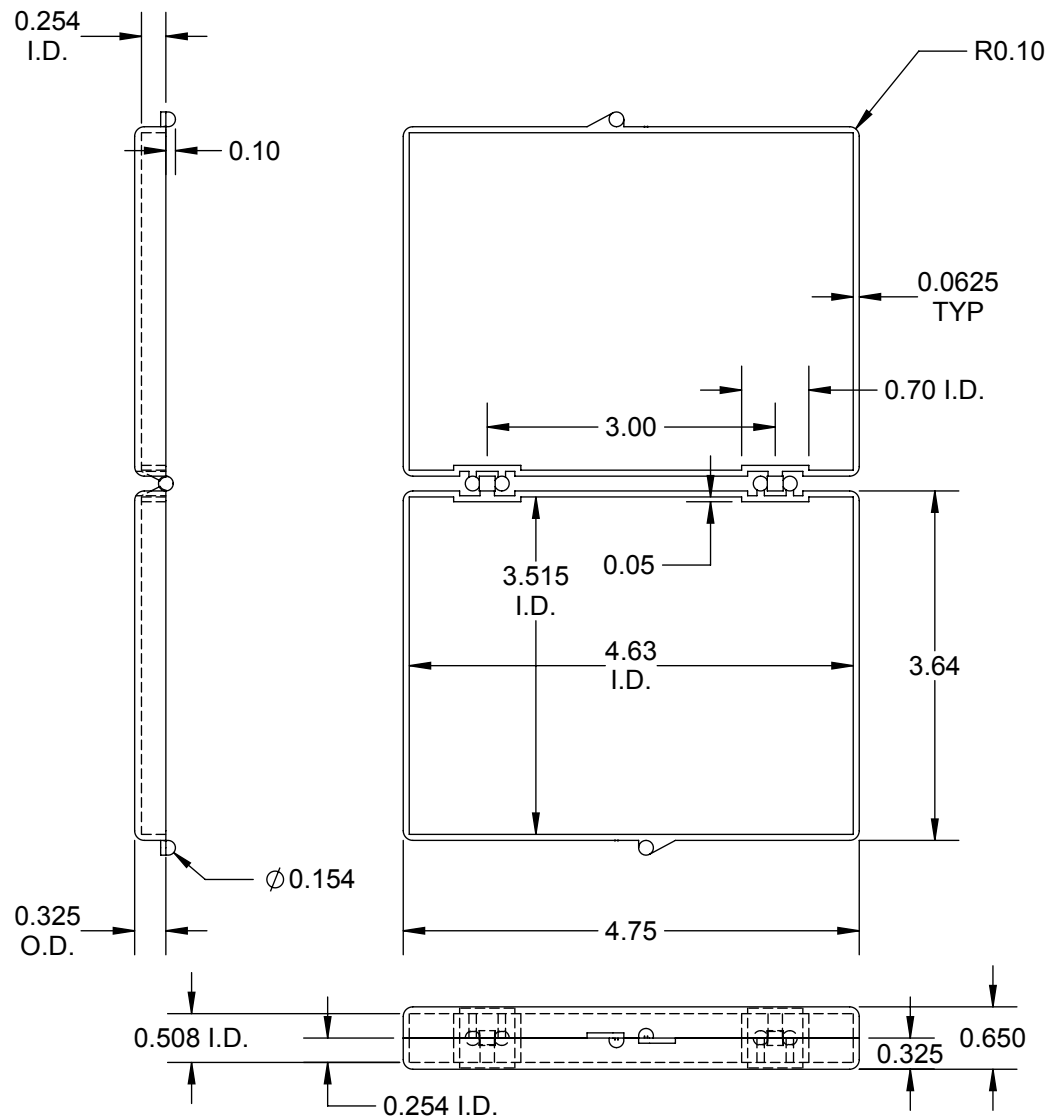


- NOTES:  
1. DIMENSIONS MM.  
2. NOT TO SCALE

<b>TopLine®</b>			
TITLE		CCGA196 TRAY BOX BLUE CARRIER	
SCALE	SIZE	DRAWING NO.	REV
2:1	A	931149	
DO NOT SCALE DRAWING			SHEET 4 OF 10

HCD'fCD9BŁ

G89'J9K'fCD9BŁ



AC89@

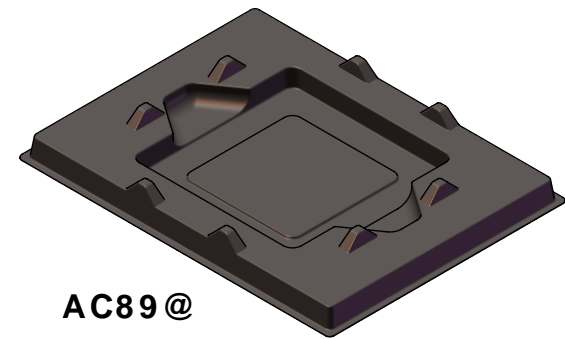
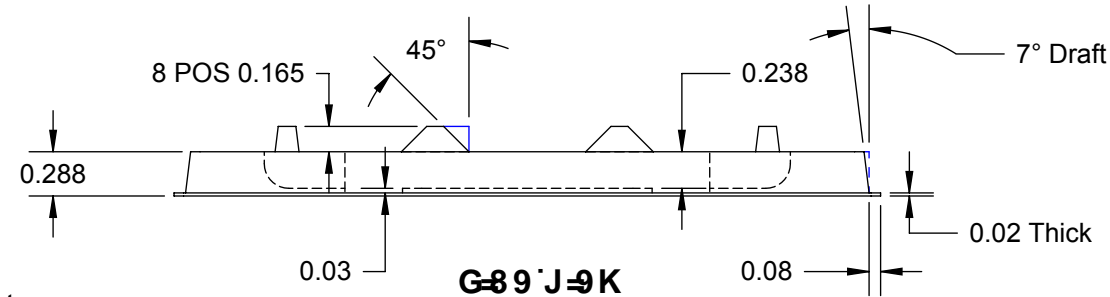
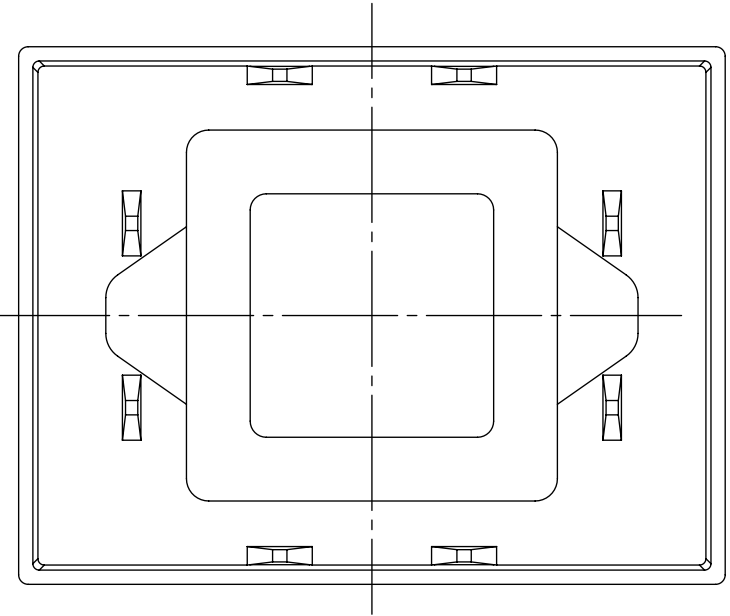
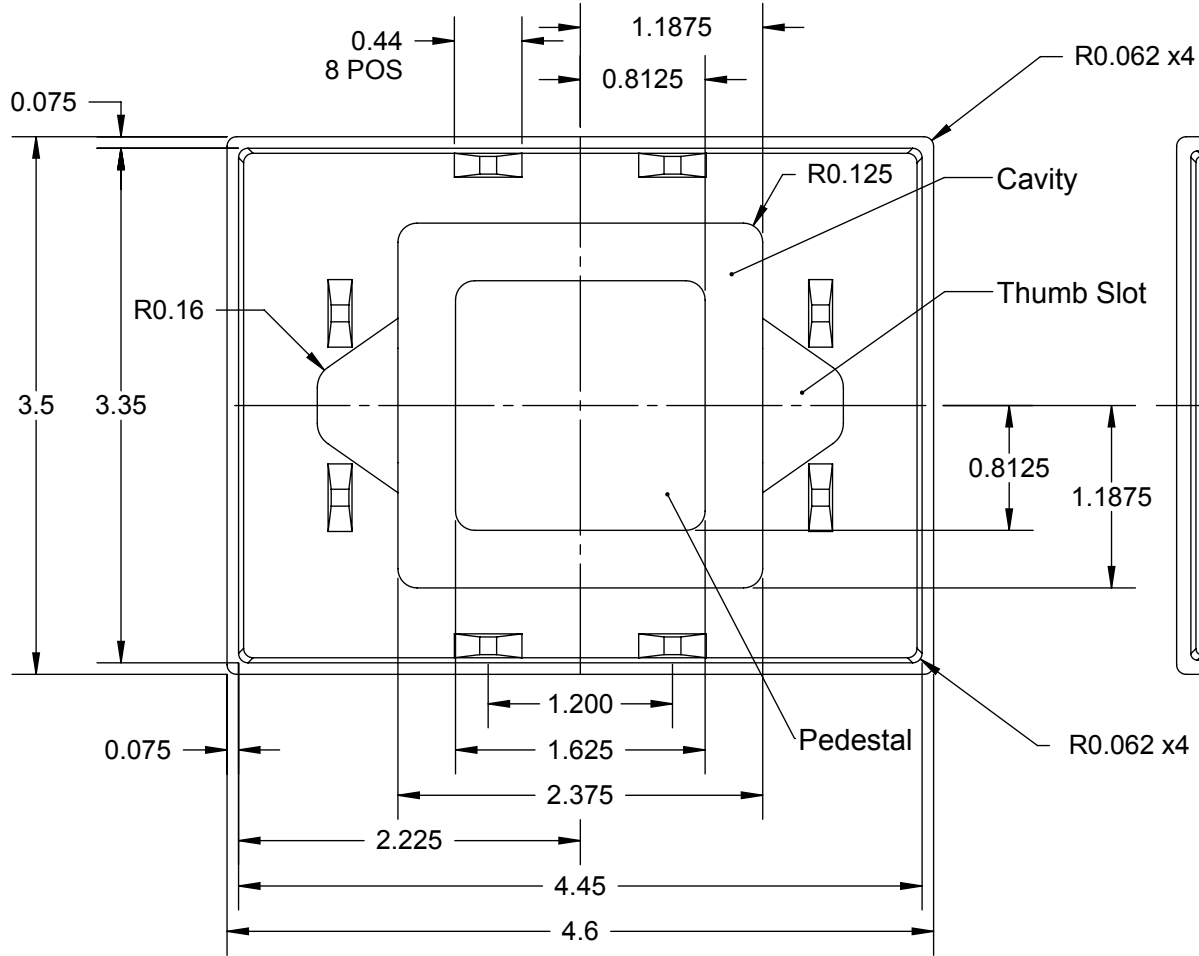
: FCBH'f7 @CG98Ł

- Notes: (Unless Otherwise Specified).
- 1) SURFACE RESISTIVITY:  $10^4 \sim 10^5 \Omega$ .
  - 2) MATERIAL: CARBON FILLED POLYPROPYLENE.
  - 3) DIMENSIONS IN INCHES.

<b>TopLine®</b>			
TITLE		EC1 (EMPTY BOX) HINGE BOX	
SCALE	SIZE	DRAWING NO.	REV
1:2	A	090000	A
DO NOT SCALE DRAWING			SHEET 5 OF 10

**HCD J-K**

**6 CHCA J-K**

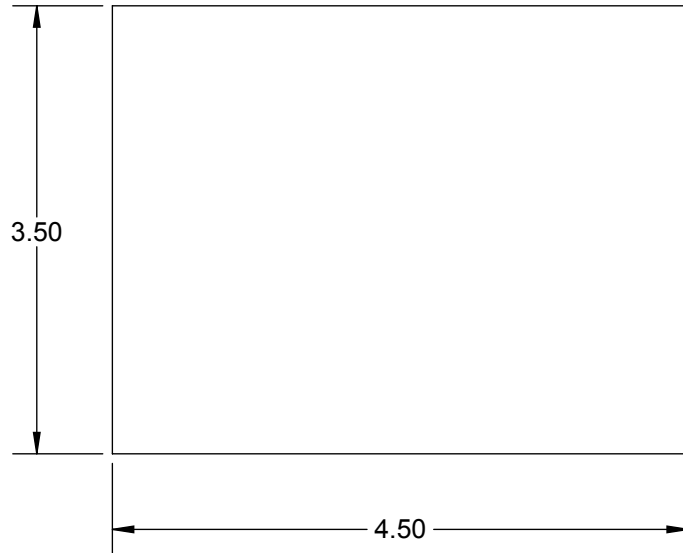


Notes:  
 1. DIMENSIONS INCH  
 &#177;G F: 579 F9 GCH HM 10<sup>4</sup> ~ 10<sup>5</sup>Ω

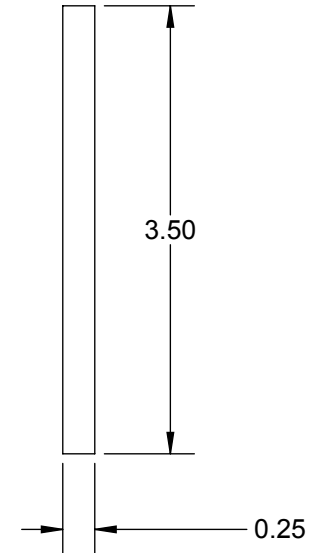
**G89 J-K**

<b>TopLine®</b>			
TITLE CCGA TRAY INSERT FOR 4.625 x 3.5 HINGE BOX			
SCALE	SIZE	DRAWING NO.	REV
2:2.5	A	140099	A
DO NOT SCALE DRAWING			SHEET 6 OF 10

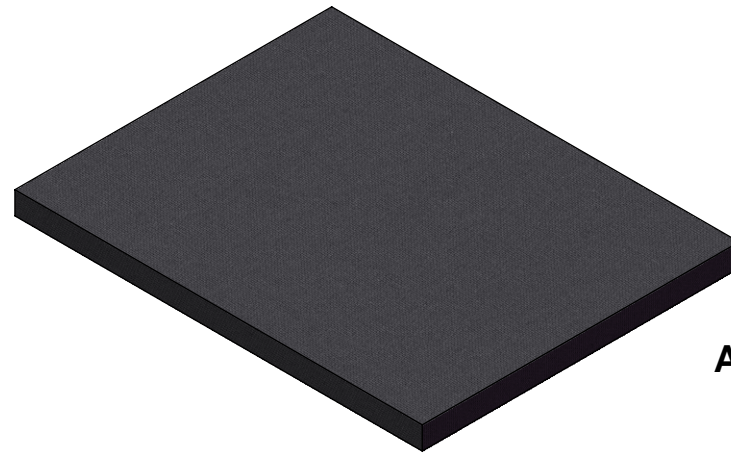
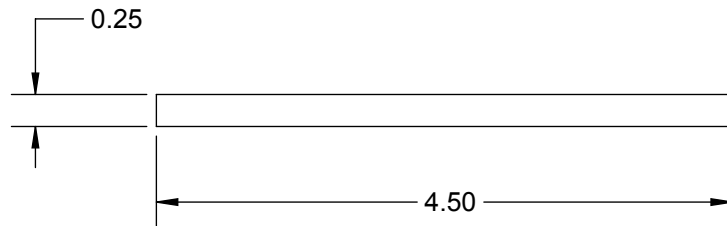
HCD



98; 9



G-89



AC89@

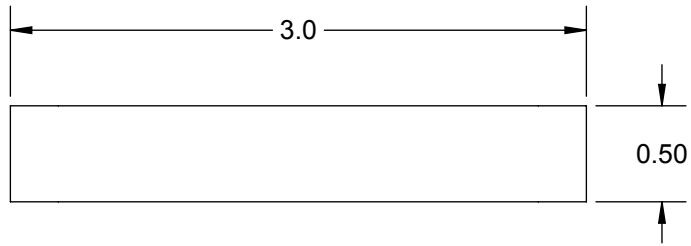
Notes: (Unless Otherwise Specified).

- 1) SURFACE RESISTIVITY:  $10^5\Omega$  TO  $10^6\Omega$
- 3) DENSITY 1.7 PFC Min.
- 4) DIMENSIONS IN INCHES.

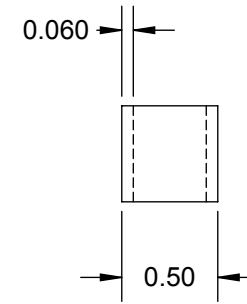
**TopLine**<sup>®</sup>

TITLE			
EC1-FOAM-SOFT-.25-A LOW DENSITY FOAM			
SCALE	SIZE	DRAWING NO.	REV
1:1.5	A	090003	A
DO NOT SCALE DRAWING			SHEET 7 OF 10

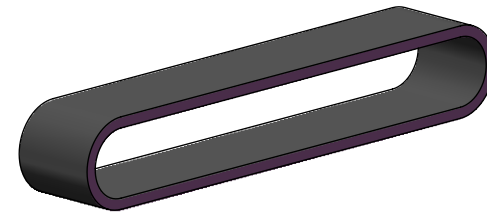
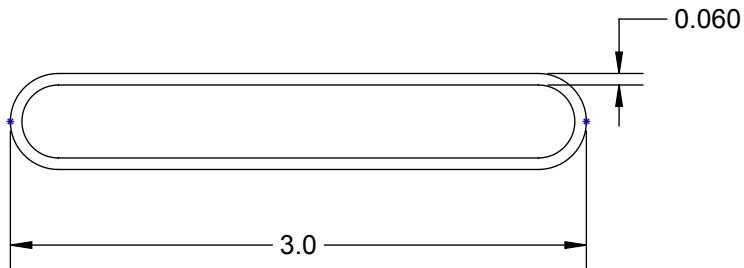
HCD



98; 9



G89



AC89@

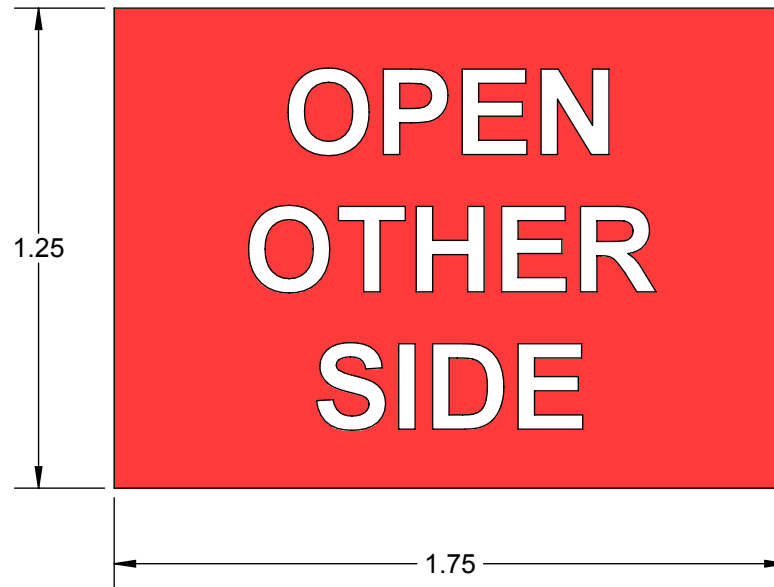
Notes: (Unless Otherwise Specified).

- 1) SURFACE RESISTIVITY:  $10^5 \sim 10^6$ .
- 2) DIMENSIONS IN INCHES (RESTING POSITION).

**TopLine**<sup>®</sup>

TITLE				RUBBER BAND-3.0-C BLACK CONDUCTIVE			
SCALE	SIZE	DRAWING NO.		REV			
1:1	A	090005		A			
DO NOT SCALE DRAWING						SHEET 8 OF 10	

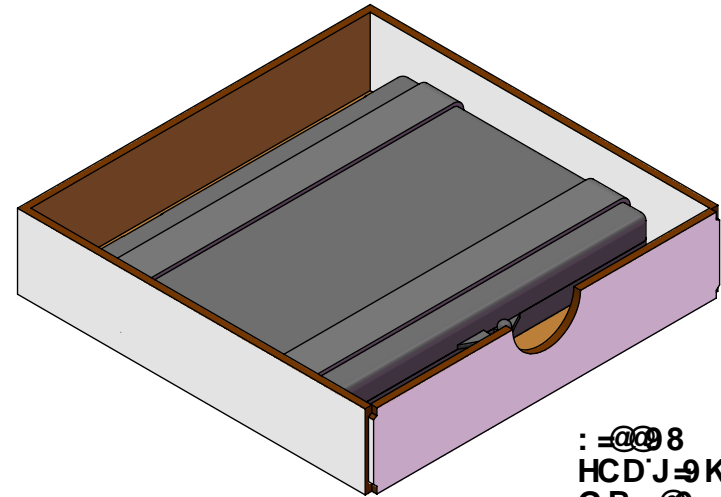
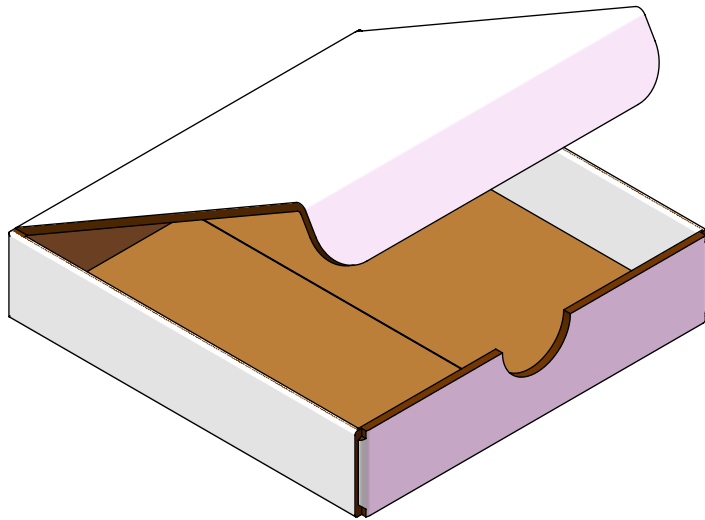




Notes: (Unless Otherwise Specified).

1. DIMENSIONS INCHES.
2. MATERIAL: PAPER LABEL WITH ADHESIVE.
3. COLOR: RED.
4. PURPOSE: IDENTIFY BOTTOM OF HINGE BOX.

<b>TopLine<sup>®</sup></b>			
TITLE		LABEL FOR BOTTOM OF HINGE BOX	
SCALE	SIZE	DRAWING NO.	REV
2:1	A	090009	A
DO NOT SCALE DRAWING			SHEET 9 OF 10



:=@@8  
 HCD'J→K  
 GB; @

- NOTES: (Unless Otherwise Specified).
1. DIMENSIONS INCHES.
  2. MEASUREMENT INCLUDES RUBBER BANDS.
  3. BOX SIZE SUBJECT TO CHANGE.

<b>TopLine®</b>			
TITLE CCGA TRAY BOX CARRIER CARTON			
SCALE 1:2	SIZE A	DRAWING NO. 900001	REV A
DO NOT SCALE DRAWING		SHEET 10 OF 10	