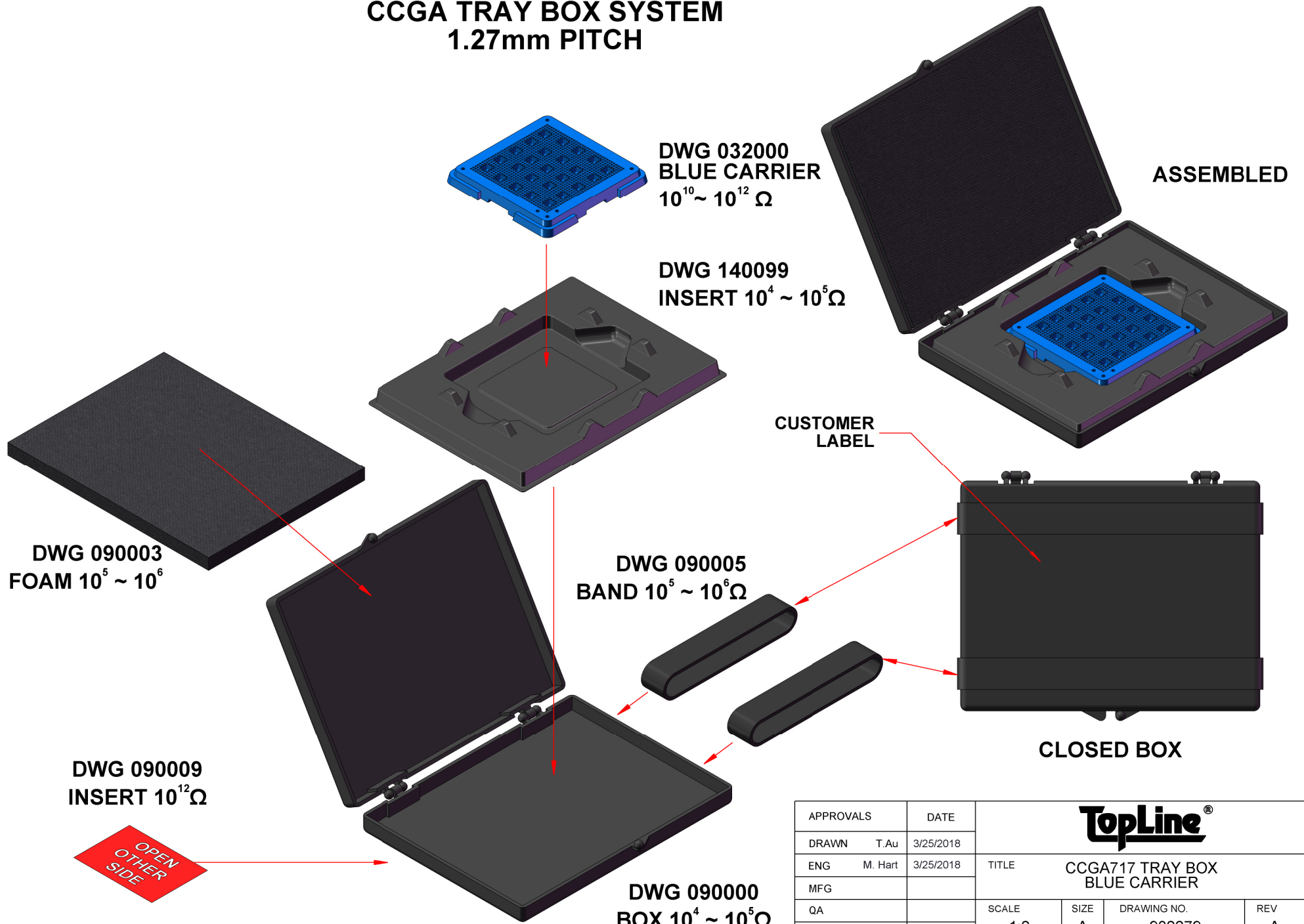
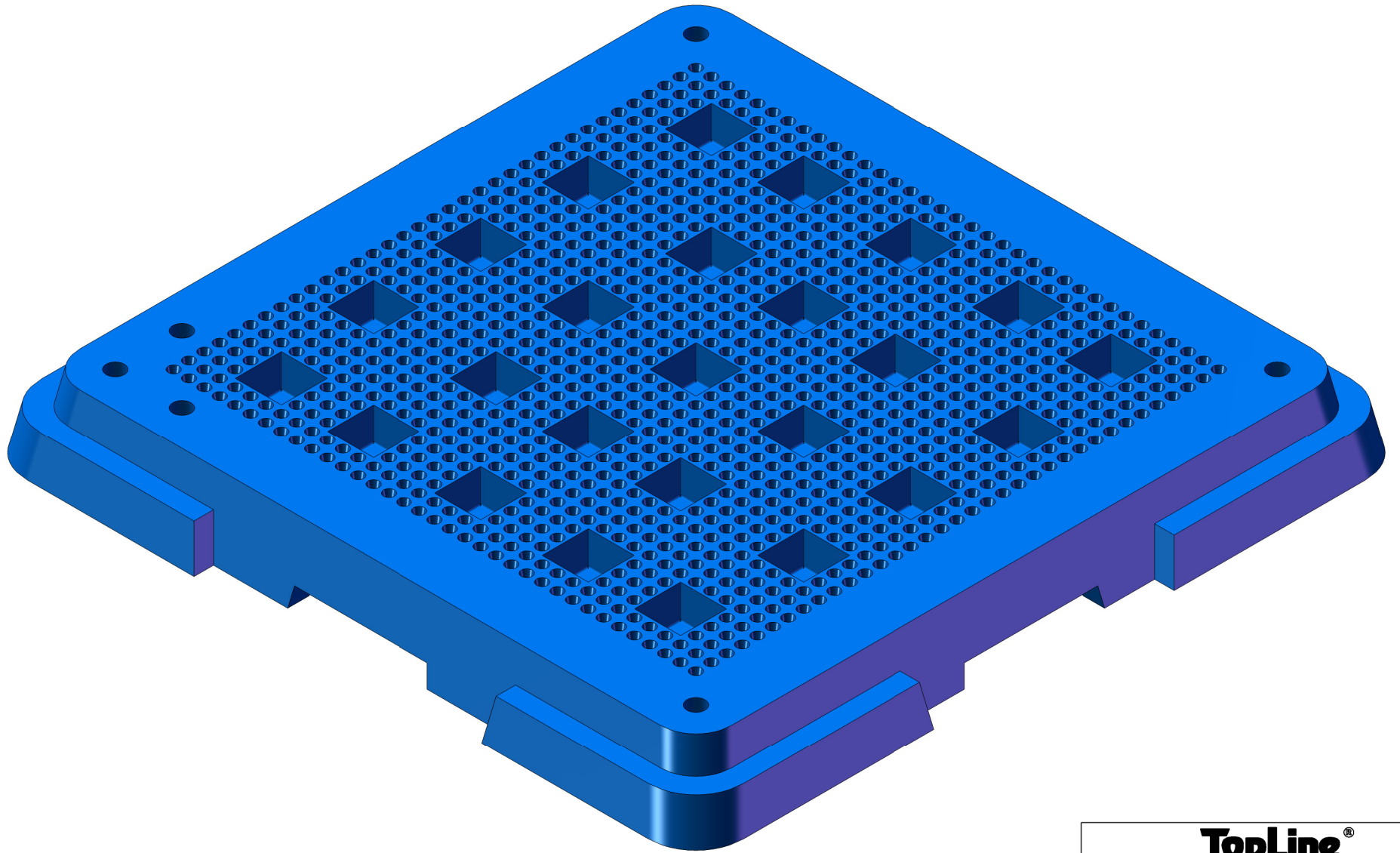


# EXPLODED VIEW CCGA TRAY BOX SYSTEM 1.27mm PITCH



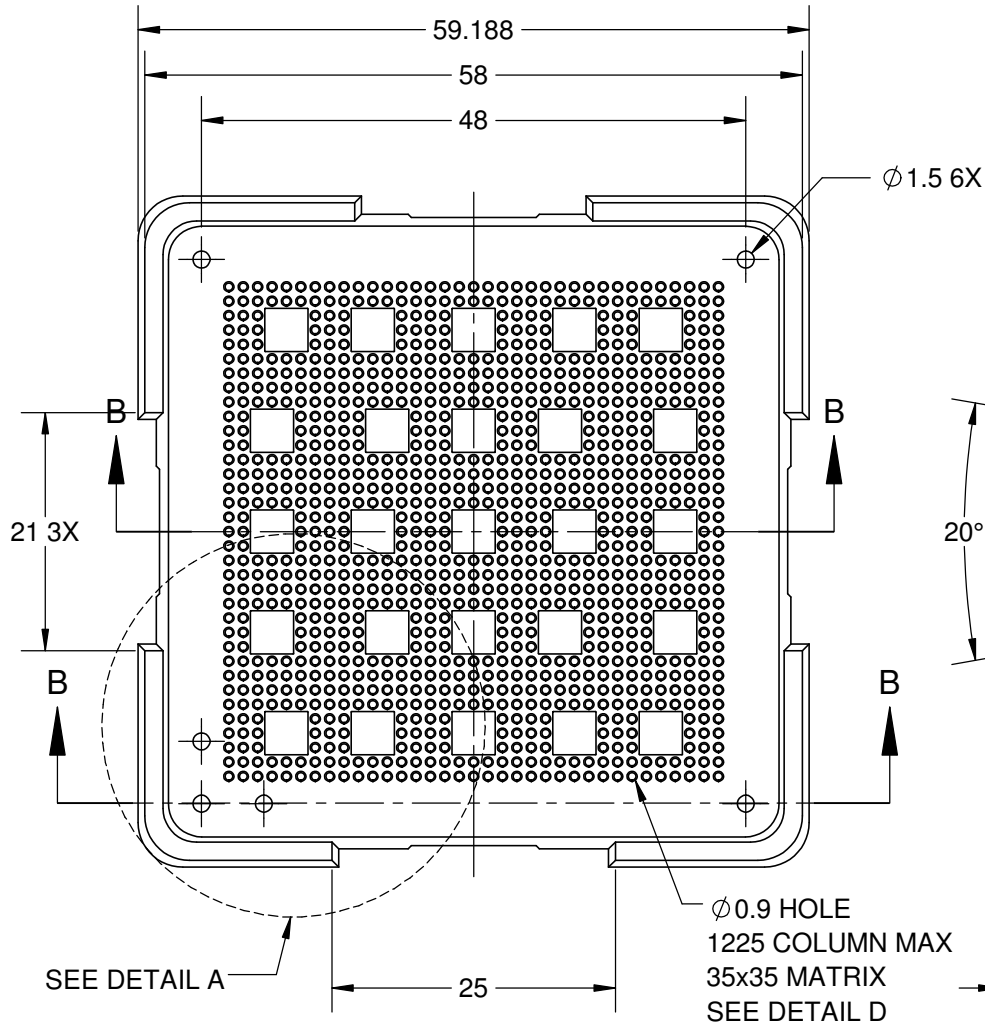
APPROVALS	DATE	<b>TopLine®</b>		
DRAWN T. Au	3/25/2018			
ENG M. Hart	3/25/2018	TITLE CCGA717 TRAY BOX BLUE CARRIER		
MFG		SCALE	SIZE	DRAWING NO.
QA		1:2	A	932279
CUST				REV A
REVISED		DO NOT SCALE DRAWING		SHEET 1 OF 10

MODEL  
TOP

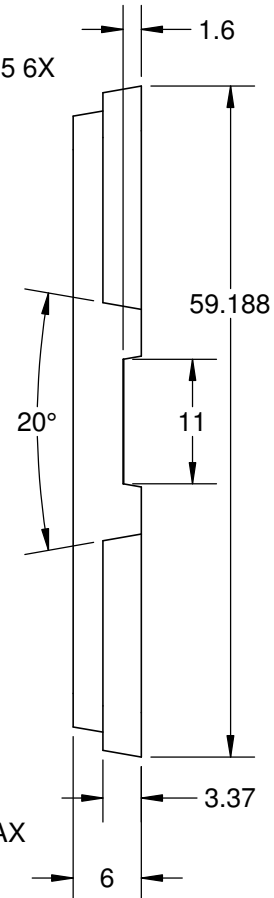


<b>TopLine<sup>®</sup></b>			
TITLE		CCGA717 TRAY BOX BLUE CARRIER	
SCALE	SIZE	DRAWING NO.	REV
3:1	A	932279	A
DO NOT SCALE DRAWING			SHEET 2 OF 10

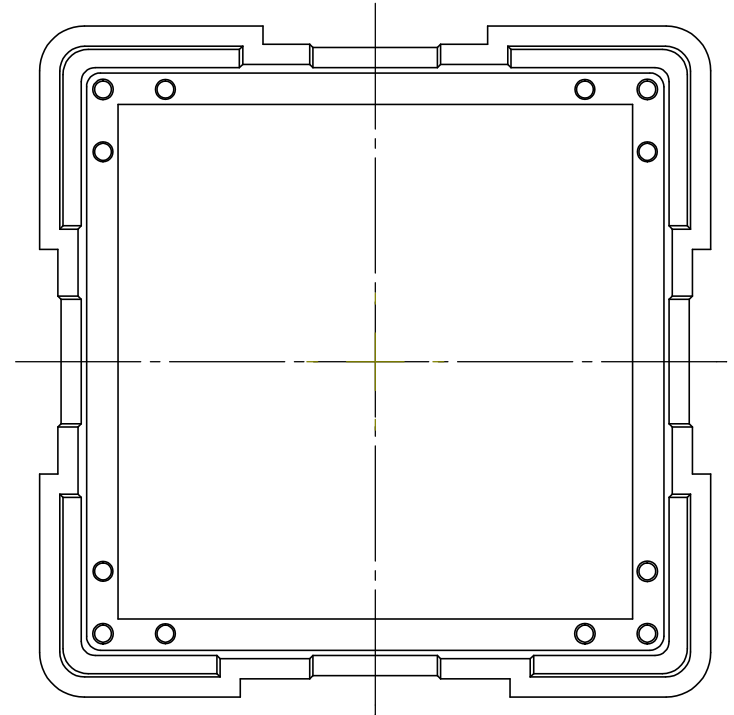
**TOP**



**SIDE**

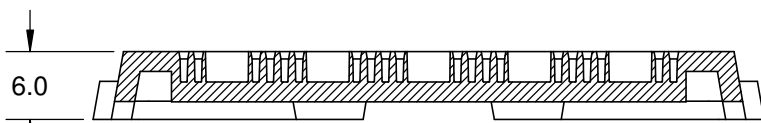
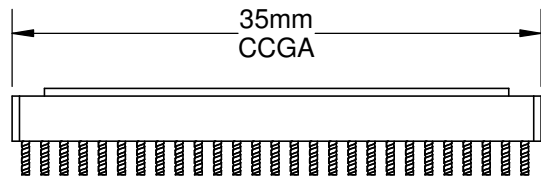


**BOTTOM**



**NOTES:**

1. DIMENSION MM.
2. MATERIAL: BLUE ABS PERMASTAT® 600
3. TEMPERATURE 60° MAX.
4. MASS 15.1 GRAMS.
5. PERMANENT ESD ANTI-STATIC
6. SURFACE RESISTIVITY  $10^{10} \sim 10^{12} \Omega$

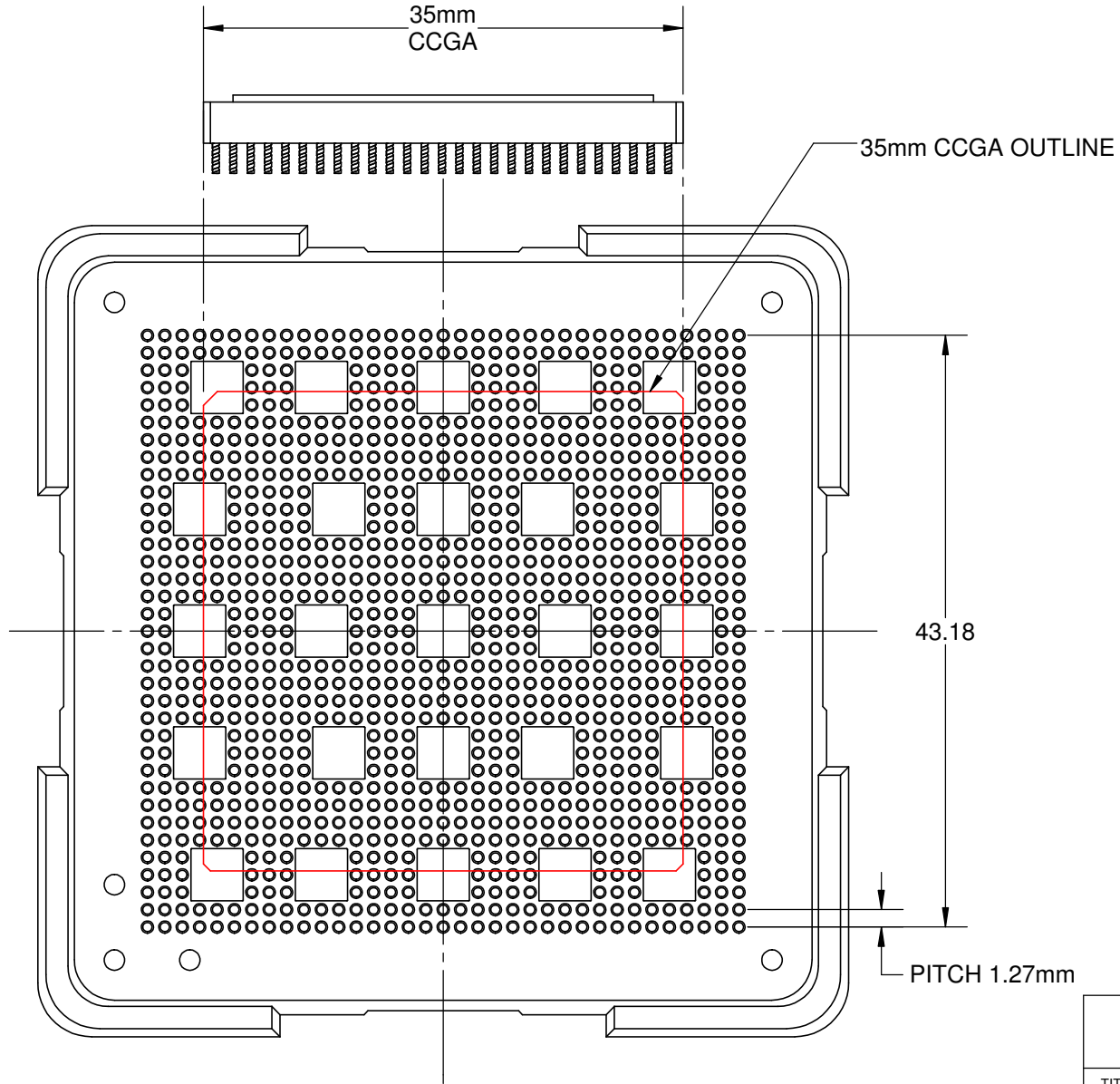


**SECTION B-B**

**TopLine®**

TITLE			
CCGA717 TRAY BOX BLUE CARRIER			
SCALE	SIZE	DRAWING NO.	REV
3:2	A	932279	A
DO NOT SCALE DRAWING			SHEET 3 OF 10

# DETAIL D

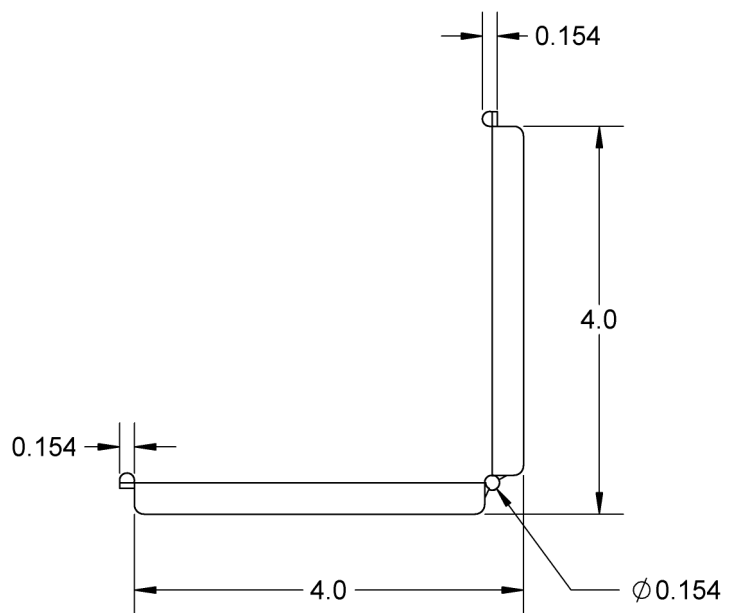
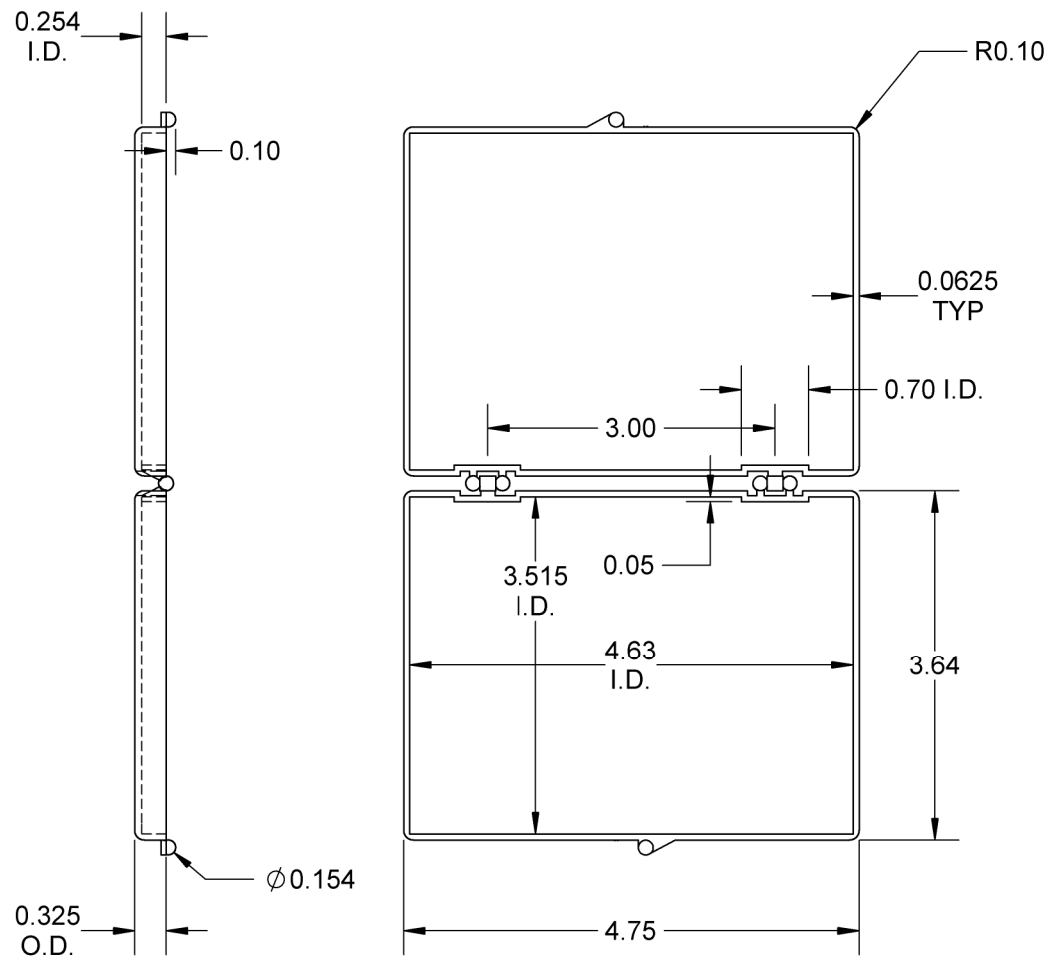


- NOTES:  
 1. DIMENSIONS MM.  
 2. NOT TO SCALE

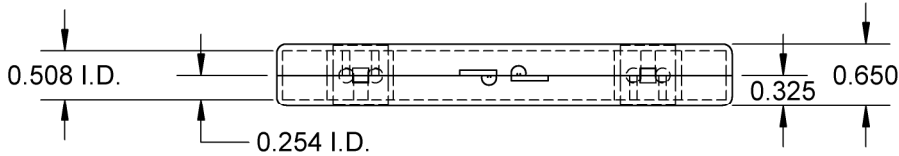
<b>TopLine<sup>®</sup></b>			
TITLE		CCGA717 TRAY BOX BLUE CARRIER	
SCALE	SIZE	DRAWING NO.	REV
2:1	A	932279	A
DO NOT SCALE DRAWING			SHEET 4 OF 10

**TOP (OPEN)**

**SIDE VIEW (OPEN)**



**MODEL**

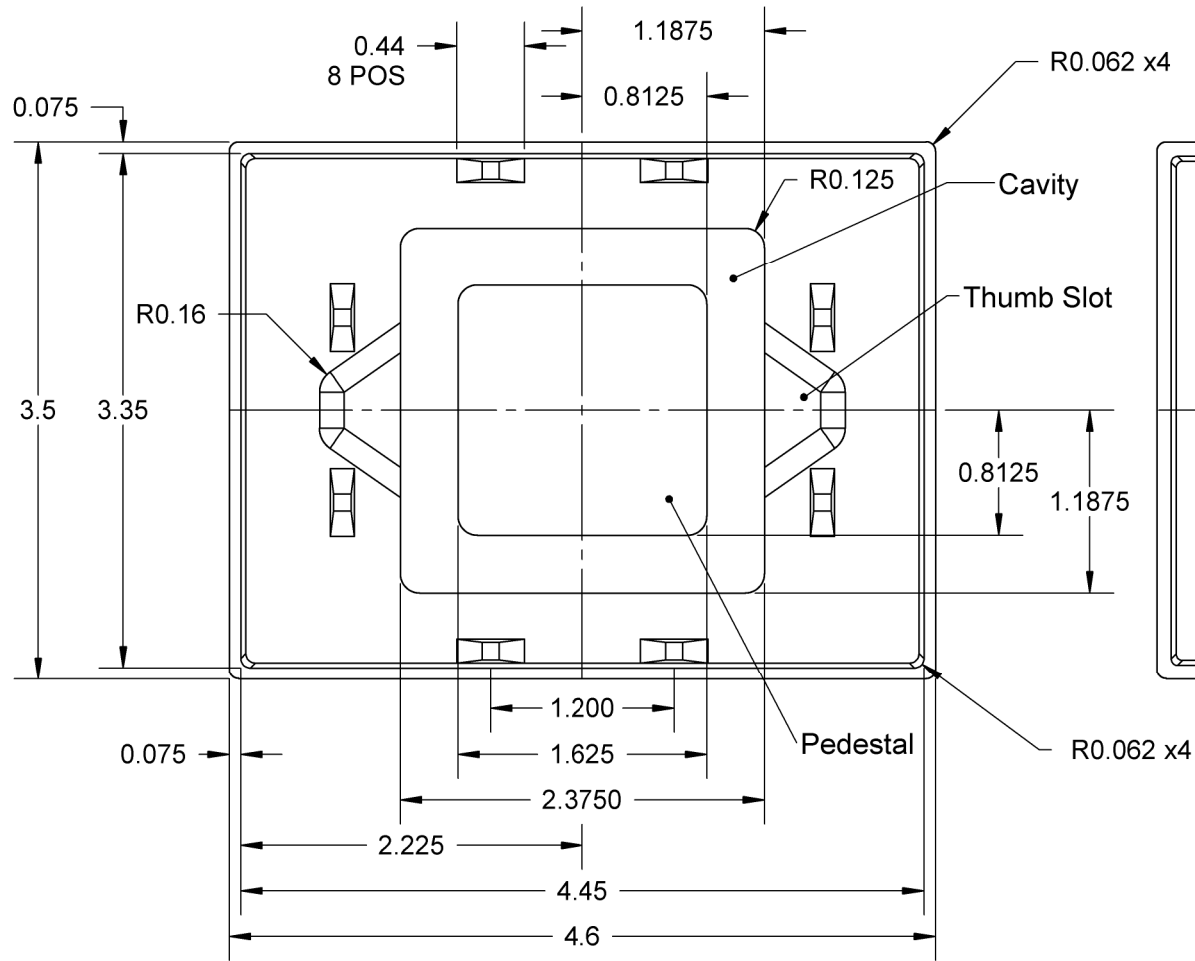


**FRONT (CLOSED)**

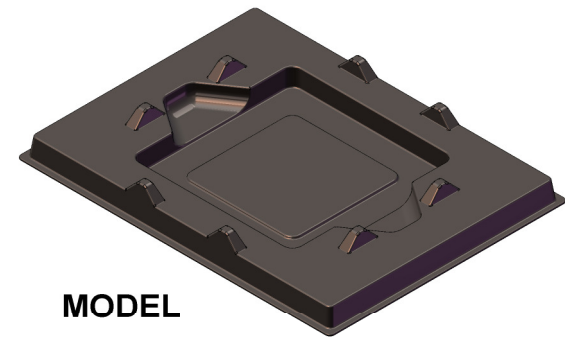
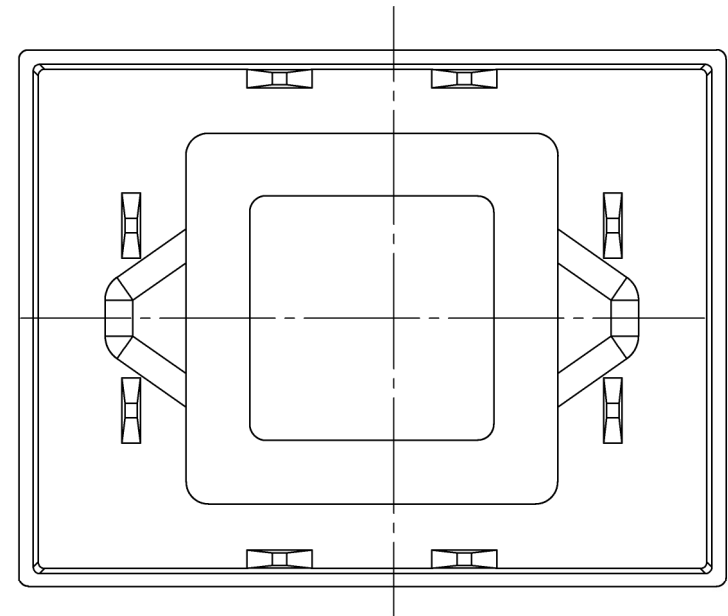
- Notes: (Unless Otherwise Specified).  
 1) SURFACE RESISTIVITY:  $10^4 \sim 10^5 \Omega$ .  
 2) MATERIAL: CARBON FILLED POLYPROPYLENE.  
 3) DIMENSIONS IN INCHES.

<b>TopLine®</b>			
TITLE		EC1 (EMPTY BOX) HINGE BOX	
SCALE	SIZE	DRAWING NO.	REV
1:2	A	090000	A
DO NOT SCALE DRAWING			SHEET 5 OF 10

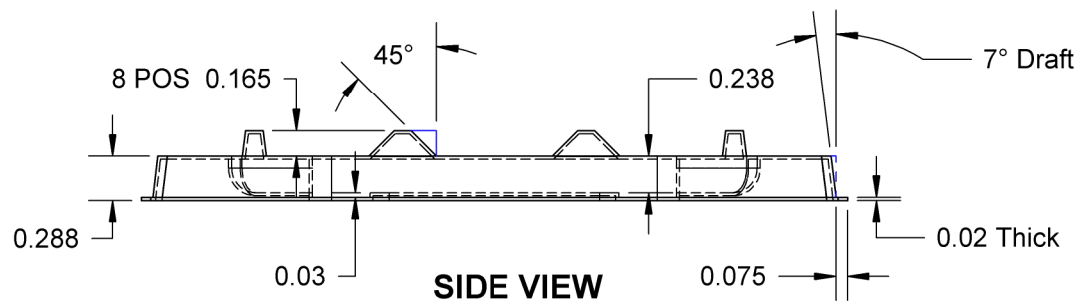
**TOP VIEW**



**BOTTOM VIEW**



**MODEL**

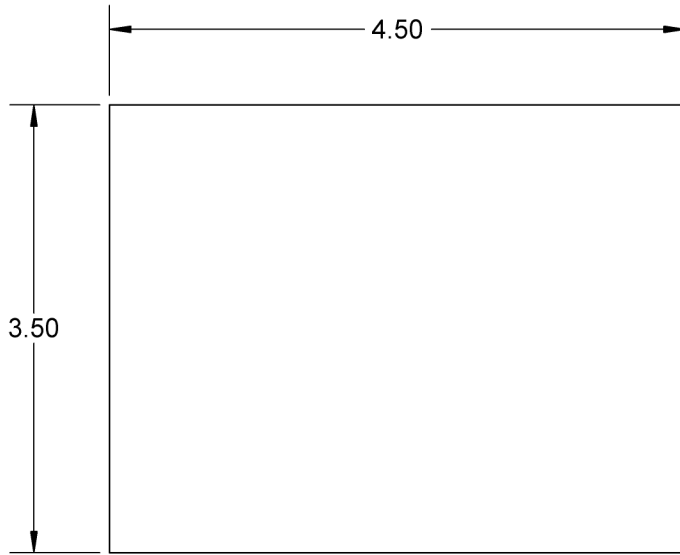


**SIDE VIEW**

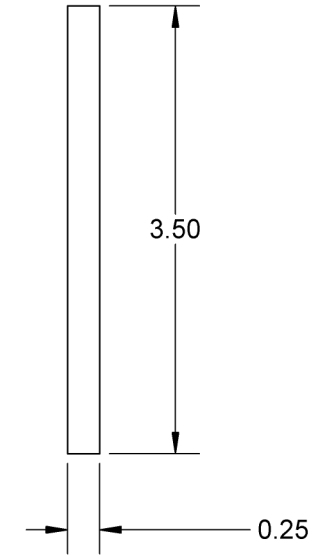
- Notes:  
 1. DIMENSIONS IN INCHES.  
 2. SURFACE RESISTIVITY:  $10^4 \sim 10^5 \Omega$ .

<b>TopLine®</b>			
TITLE CCGA TRAY INSERT FOR 4.625 x 3.5 HINGE BOX			
SCALE	SIZE	DRAWING NO.	REV
2:2.5	A	140099	A
DO NOT SCALE DRAWING			SHEET 6 OF 10

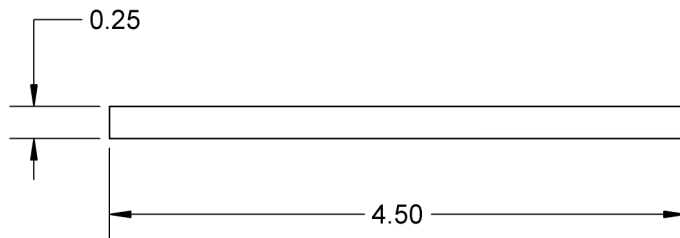
### TOP



### EDGE



### SIDE



**MODEL**

Notes: (Unless Otherwise Specified).

- 1) SURFACE RESISTIVITY:  $10^5\Omega$  TO  $10^6\Omega$ .
- 3) DENSITY 1.7 PFC Min.
- 4) DIMENSIONS IN INCHES

**TopLine**<sup>®</sup>

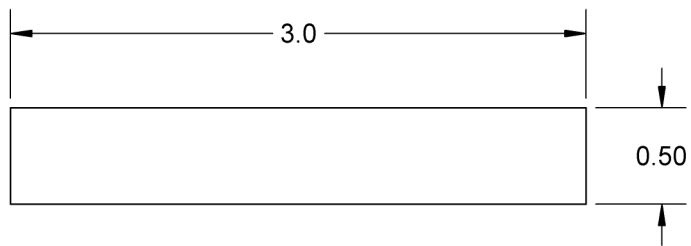
TITLE EC1-FOAM-SOFT-.25-A  
LOW DENSITY FOAM

SCALE 1:1.5	SIZE A	DRAWING NO. 090003	REV A
----------------	-----------	-----------------------	----------

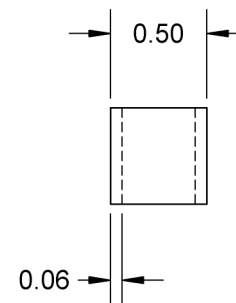
DO NOT SCALE DRAWING

SHEET 7 OF 10

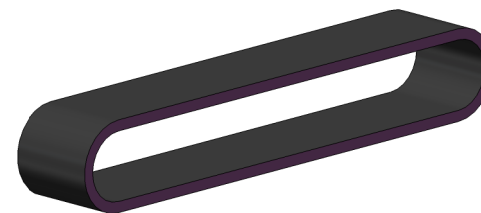
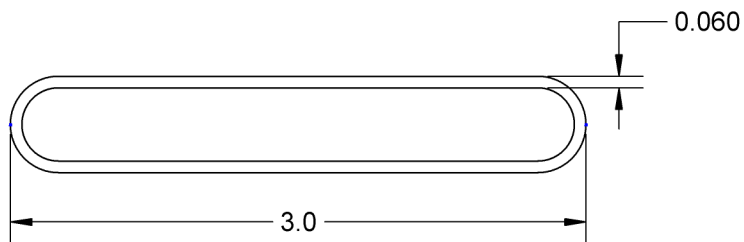
**TOP**



**EDGE**



**SIDE**



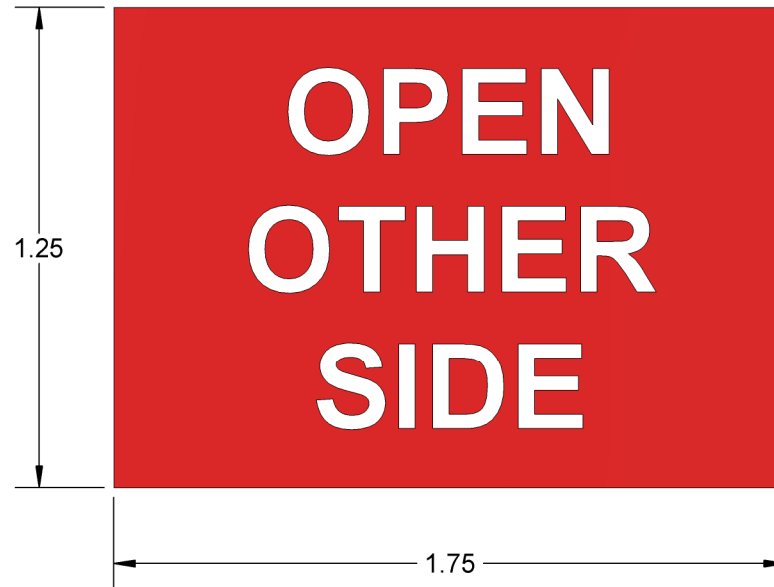
**MODEL**

Notes: (Unless Otherwise Specified).

- 1) SURFACE RESISTIVITY:  $10^3 \Omega$  TO  $10^6 \Omega$ .
- 2) DIMENSIONS in INCHES (RESTING POSITION).

<b>TopLine<sup>®</sup></b>			
TITLE		RUBBER BAND-3.0-C BLACK CONDUCTIVE	
SCALE	SIZE	DRAWING NO.	REV
1:1	A	090005	A
DO NOT SCALE DRAWING			SHEET 8 OF 10

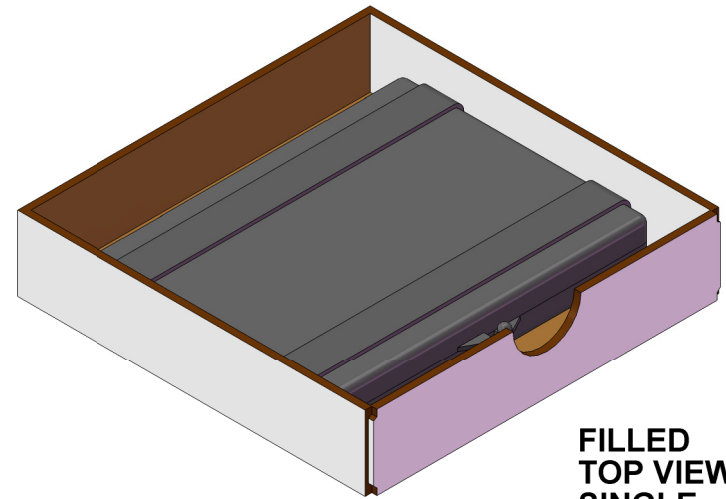
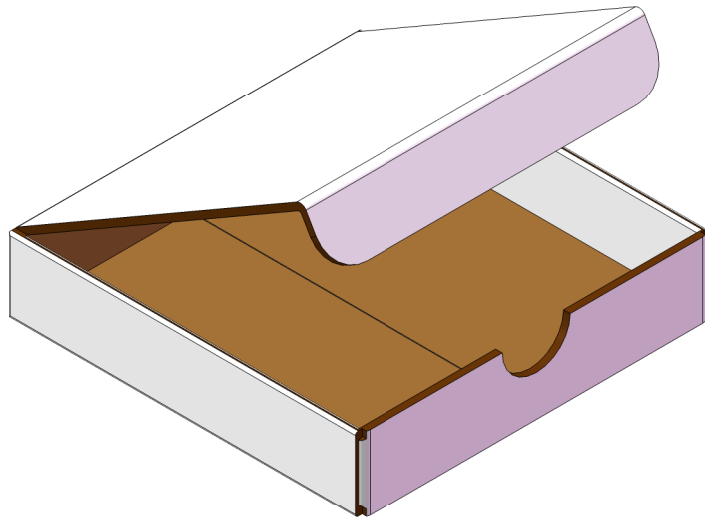
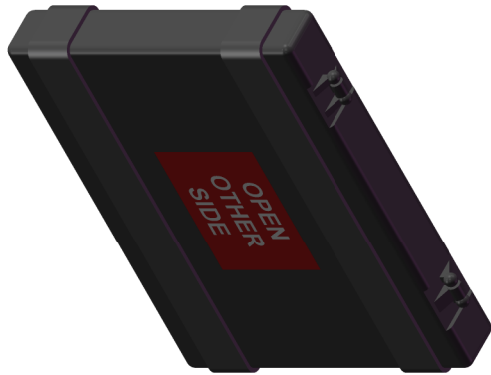




Notes: (Unless Otherwise Specified).

1. DIMENSIONS INCHES.
2. MATERIAL: PAPER LABEL WITH ADHESIVE.
3. COLOR: RED.
4. PURPOSE: IDENTIFY BOTTOM OF HINGE BOX.

<b>TopLine<sup>®</sup></b>			
TITLE		LABEL FOR BOTTOM OF HINGE BOX	
SCALE	SIZE	DRAWING NO.	REV
2:1	A	090009	A
DO NOT SCALE DRAWING			SHEET 9 OF 10



**FILLED  
TOP VIEW  
SINGLE**

NOTES: (Unless Otherwise Specified).

1. DIMENSIONS INCHES.
2. MEASUREMENT INCLUDES RUBBER BANDS.
3. BOX SIZE SUBJECT TO CHANGE.

**TopLine**<sup>®</sup>

TITLE CCGA TRAY BOX CARRIER  
CARTON

SCALE 1:2	SIZE A	DRAWING NO. 900001	REV A
--------------	-----------	-----------------------	----------

DO NOT SCALE DRAWING

SHEET 10 OF 10