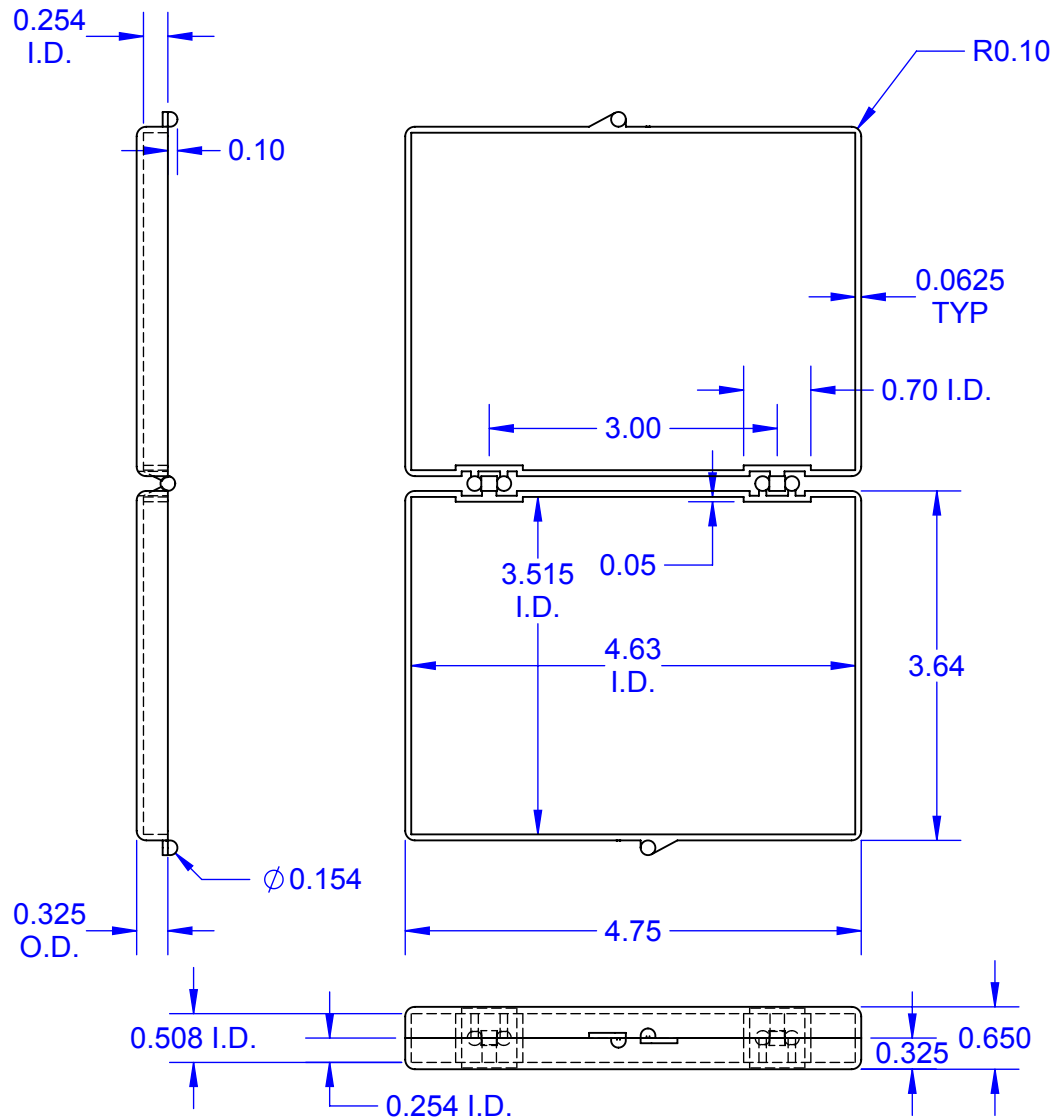
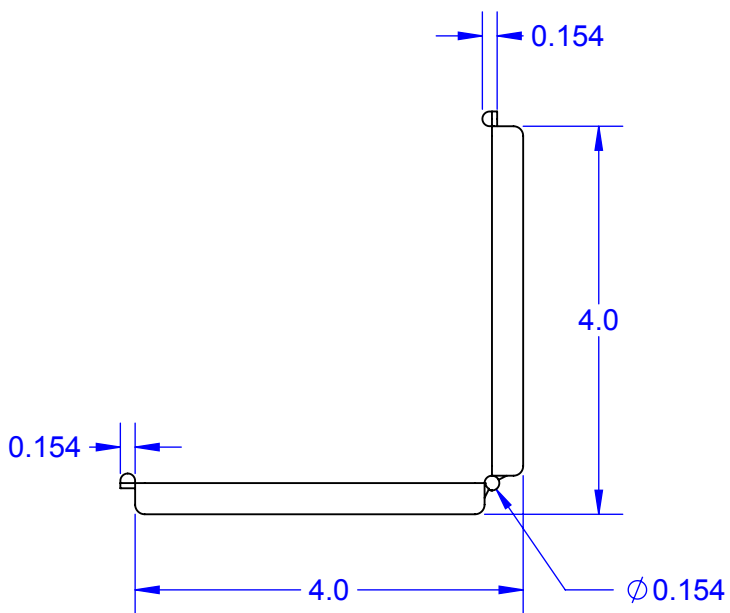


TOP (OPEN)



FRONT (CLOSED)

SIDE VIEW (OPEN)

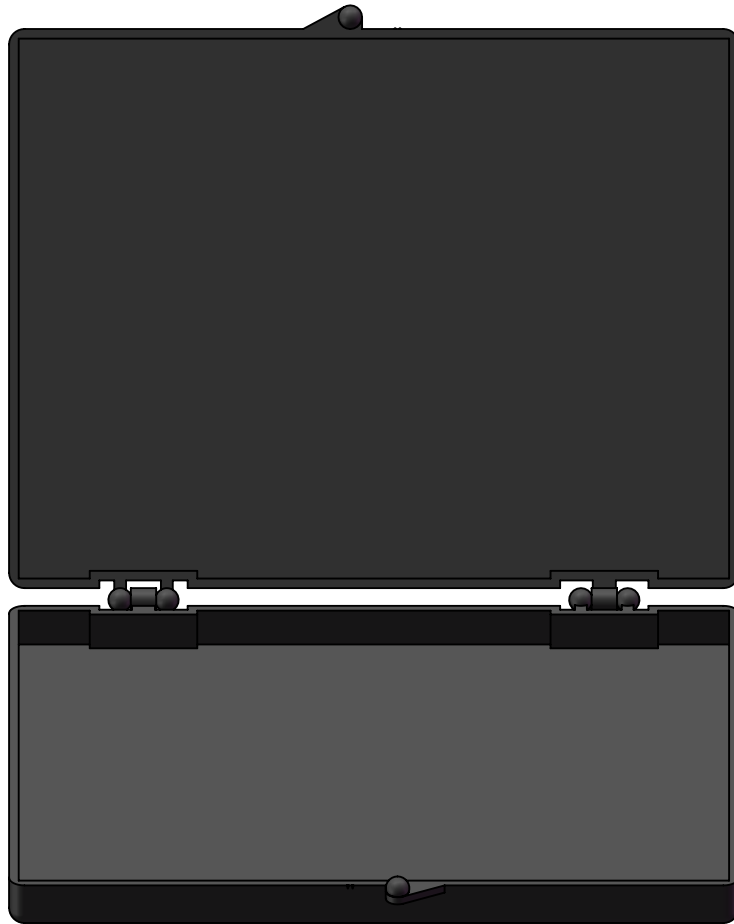


MODEL

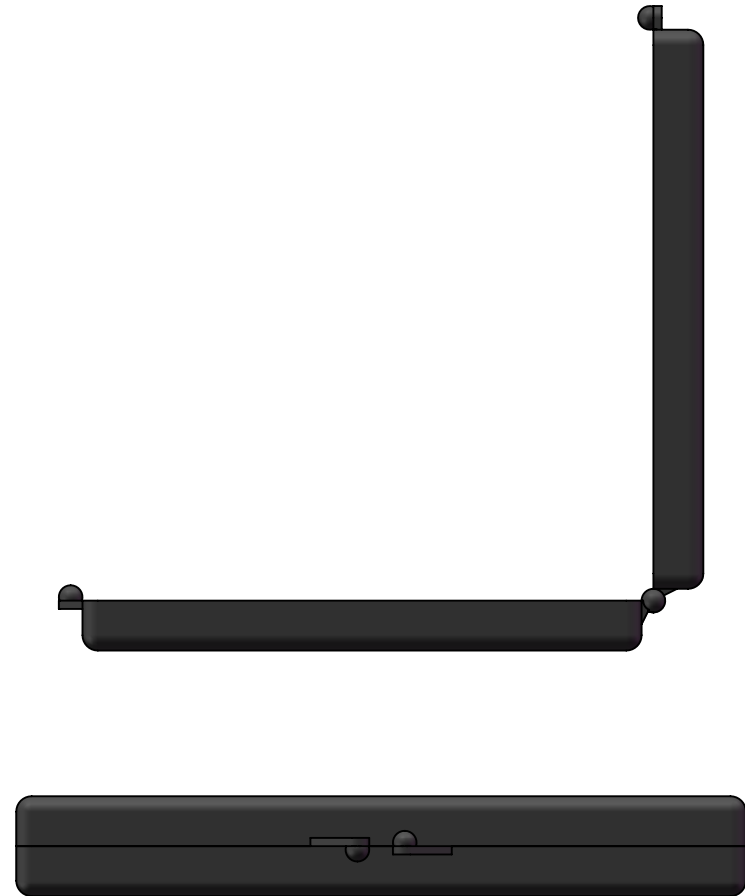
- Notes: (Unless Otherwise Specified).
 1) SURFACE RESISTIVITY: $10^3 \Omega$ TO $10^6 \Omega$ PER SQUARE.
 2) MATERIAL: CARBON FILLED POLYPROPYLENE.
 3) DIMENSIONS IN INCHES.

APPROVALS	DATE	TopLine®			
DRAWN T.Au	02/15/15				
ENG M. Hart	02/15/15	TITLE EC1 (EMPTY BOX) HINGE BOX			
MFG		SCALE 1:2	SIZE A	DRAWING NO. 090000	REV A
QA		DO NOT SCALE DRAWING			SHEET 1 OF 3
CUST					
REVISED					

MODEL OPEN



MODEL SIDE VIEW (OPEN)



MODEL FRONT VIEW (CLOSED)

APPROVALS		DATE	TopLine®			
DRAWN	T.Au	02/15/15				
ENG	M. Hart	02/15/15	TITLE EC1 (EMPTY BOX) HINGE BOX			
MFG						
QA			SCALE	SIZE	DRAWING NO.	REV
CUST			1:1.25	A	090000	A
REVISED			DO NOT SCALE DRAWING			SHEET 2 OF 3

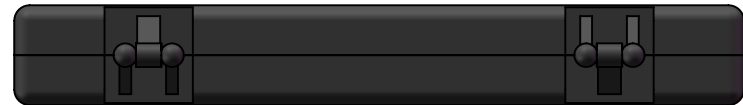
TOP VIEW



BOTTOM VIEW



MODEL FRONT VIEW (CLOSED)



REAR VIEW (HINGE SIDE)

APPROVALS	DATE	TopLine®			
DRAWN T.Au	02/15/15				
ENG M. Hart	02/15/15	TITLE EC1 (EMPTY BOX) HINGE BOX			
MFG		SCALE	SIZE	DRAWING NO.	REV
QA		1:1.25	A	090000	A
CUST		DO NOT SCALE DRAWING			SHEET 3 OF 3
REVISED					