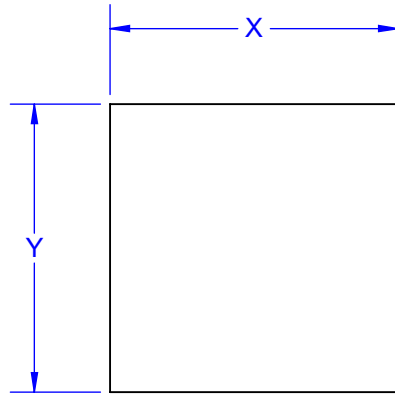
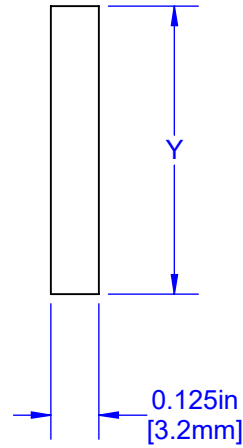


### TOP

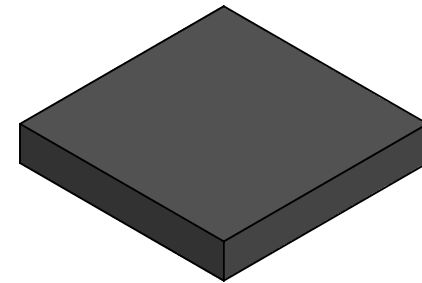
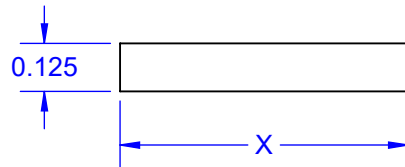


### EDGE



DIMENSION TABLE		
X/Y SIZE		DWG
INCH	MM	
0.51	13mm	090130
0.67	17mm	090131
0.75	19mm	090125
1.00	25.4mm	090133
1.125	28.6mm	090128
1.25	31.8mm	090132
1.375	35mm	090135
1.50	38mm	090138
1.889	48mm	090014
2.00	50.8mm	090150
2.34	59.4mm	090011
.60x.825	15x21mm	090129
1.0x1.50	25x38mm	090139


### SIDE



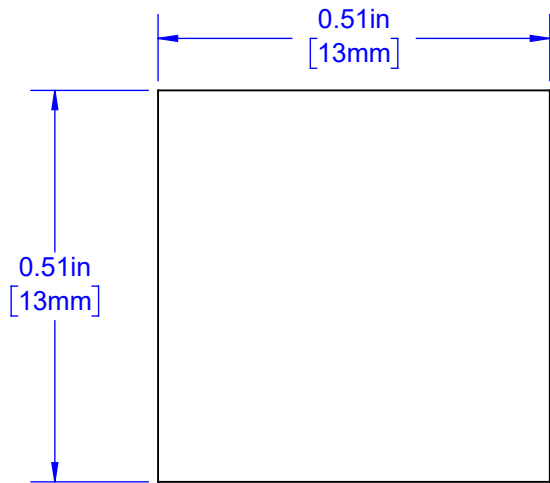
### MODEL

Notes: (Unless Otherwise Specified).

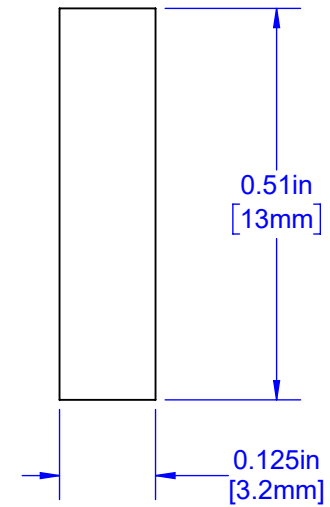
- 1) SURFACE RESISTIVITY:  $10^3 \Omega$  TO  $10^6 \Omega$  PER SQUARE.
- 2) SOFT CONDUCTIVE FOAM.
- 3) DENSITY 1.7 PFC Min.
- 4) DIMENSIONS INCH (mm).

APPROVALS		DATE				
DRAWN	T. Au	7/17/2021				
ENG	M. Hart	7/17/2021	TITLE    FOAM-SOFT-A MASTER LOW DENSITY FOAM			
MFG						
QA			SCALE	SIZE	DRAWING NO.	REV
CUST			2:1	A	090034	A
REVISED			DO NOT SCALE DRAWING			SHEET 1 OF 1

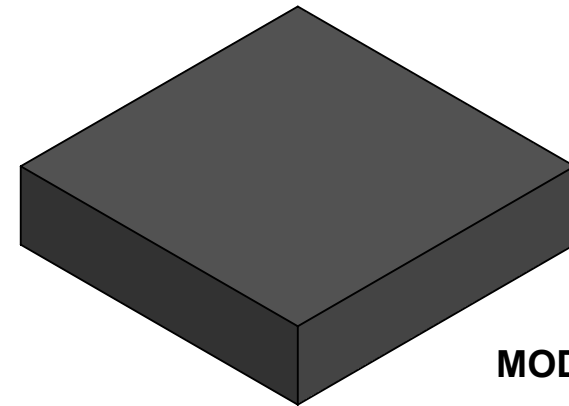
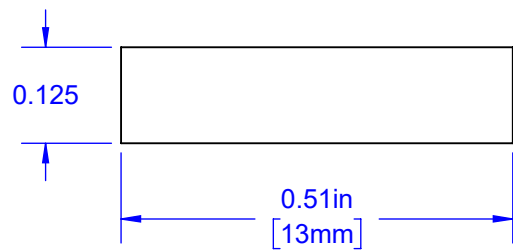
**TOP**



**EDGE**



**SIDE**



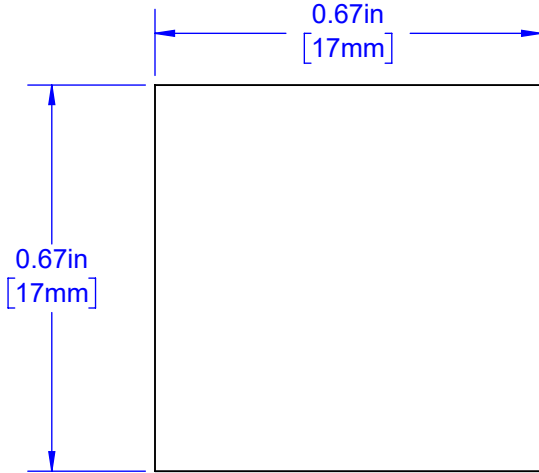
**MODEL**

Notes: (Unless Otherwise Specified).

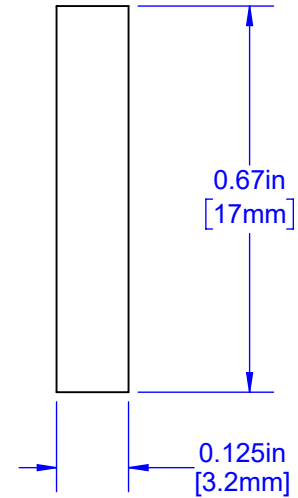
- 1) SURFACE RESISTIVITY:  $10^3 \Omega$  TO  $10^6 \Omega$  PER SQUARE.
- 2) SOFT CONDUCTIVE FOAM.
- 3) DENSITY 1.7 PFC Min.
- 4) DIMENSIONS INCHES [mm].

APPROVALS	DATE	<b>TopLine<sup>®</sup></b>			
DRAWN T. Au	7/17/2021				
ENG M. Hart	7/17/2021	TITLE FOAM-SOFT-.51-A (13mm) LOW DENSITY FOAM			
MFG					
QA		SCALE	SIZE	DRAWING NO.	REV
CUST		4:1	A	090130	A
REVISED		DO NOT SCALE DRAWING			SHEET 1 OF 1

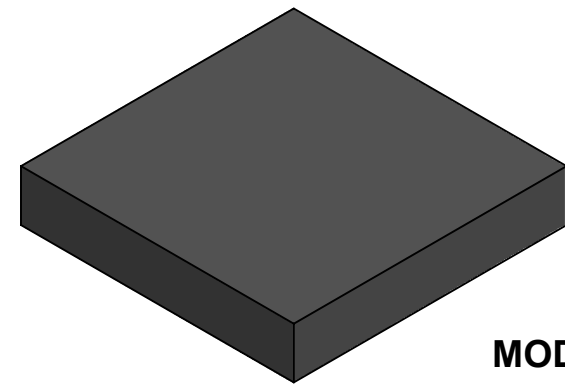
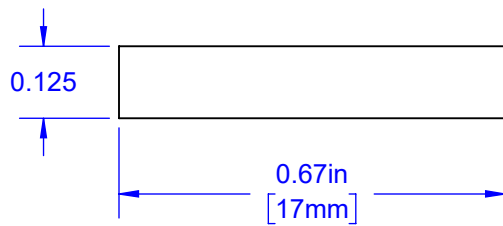
**TOP**



**EDGE**



**SIDE**



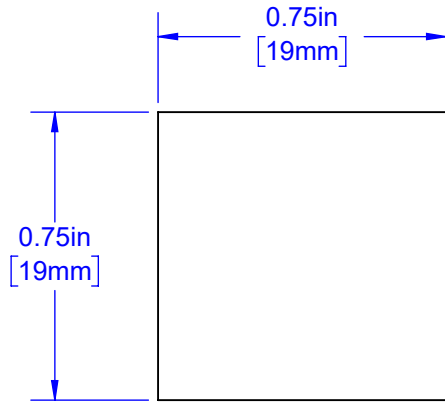
**MODEL**

Notes: (Unless Otherwise Specified).

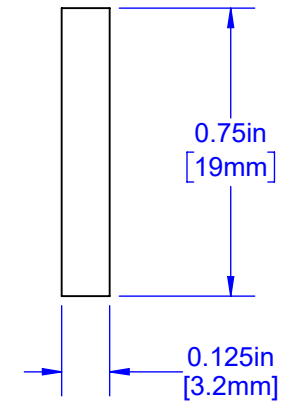
- 1) SURFACE RESISTIVITY:  $10^3 \Omega$  TO  $10^6 \Omega$  PER SQUARE.
- 2) SOFT CONDUCTIVE FOAM.
- 3) DENSITY 1.7 PFC Min.
- 4) DIMENSIONS INCHES [mm].

APPROVALS	DATE	<b>TopLine<sup>®</sup></b>			
DRAWN T. Au	7/17/2021				
ENG M. Hart	7/17/2021	TITLE FOAM-SOFT-.67-A LOW DENSITY FOAM			
MFG					
QA		SCALE	SIZE	DRAWING NO.	REV
CUST		3:1	A	090131	A
REVISED		DO NOT SCALE DRAWING			SHEET 1 OF 1

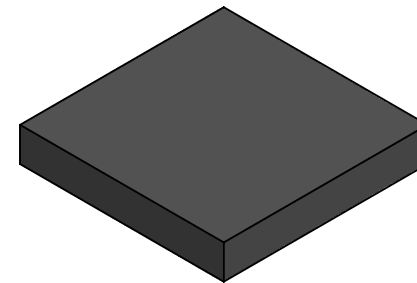
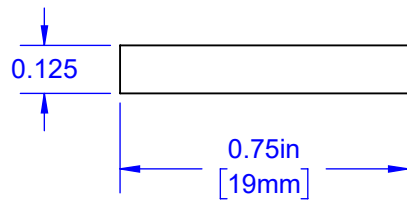
**TOP**



**EDGE**



**SIDE**



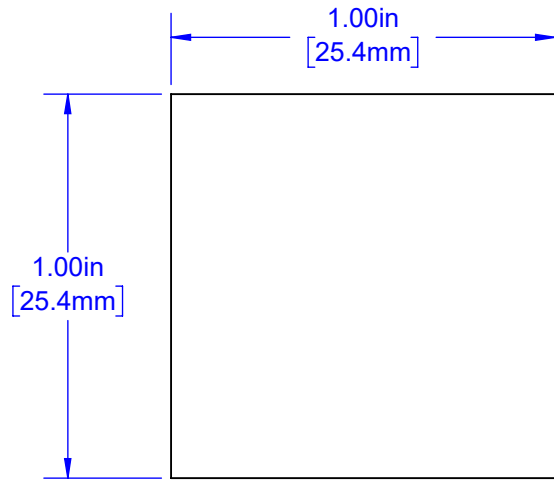
**MODEL**

Notes: (Unless Otherwise Specified).

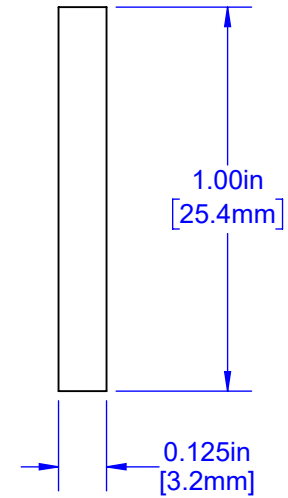
- 1) SURFACE RESISTIVITY:  $10^3 \Omega$  TO  $10^6 \Omega$  PER SQUARE.
- 2) SOFT CONDUCTIVE FOAM.
- 3) DENSITY 1.7 PFC Min.
- 4) DIMENSIONS INCHES [mm].

APPROVALS	DATE	<b>TopLine<sup>®</sup></b>			
DRAWN T. Au	7/17/2021				
ENG M. Hart	7/17/2021	TITLE FOAM-SOFT-.75-A LOW DENSITY FOAM			
MFG		SCALE 2:1	SIZE A	DRAWING NO. 090125	REV A
QA					
CUST		DO NOT SCALE DRAWING			SHEET 1 OF 1
REVISED					

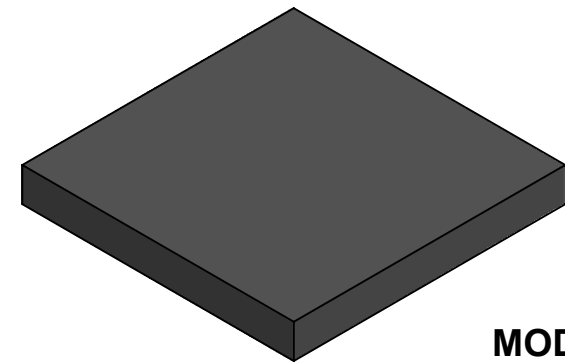
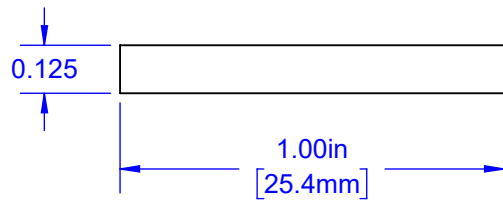
**TOP**



**EDGE**



**SIDE**



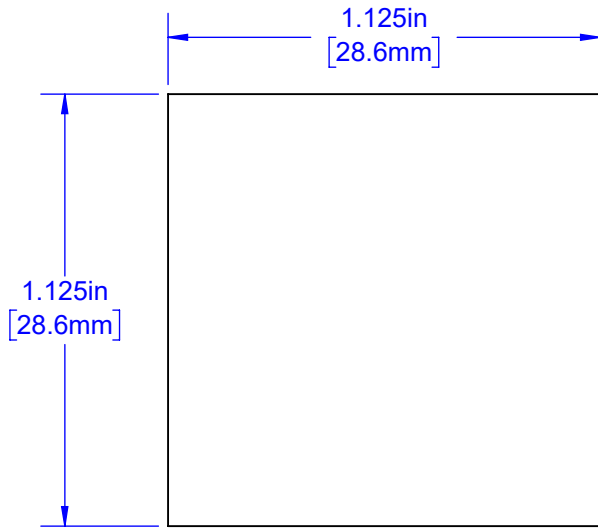
**MODEL**

Notes: (Unless Otherwise Specified).

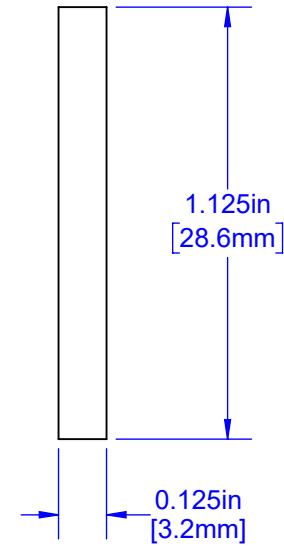
- 1) SURFACE RESISTIVITY:  $10^3 \Omega$  TO  $10^6 \Omega$  PER SQUARE.
- 2) SOFT CONDUCTIVE FOAM.
- 3) DENSITY 1.7 PFC Min.
- 4) DIMENSIONS INCHES [mm].

APPROVALS	DATE	<b>TopLine<sup>®</sup></b>			
DRAWN T. Au	7/17/2021				
ENG M. Hart	7/17/2021	TITLE FOAM-SOFT-1.0-A LOW DENSITY FOAM			
MFG					
QA		SCALE	SIZE	DRAWING NO.	REV
CUST		2:1	A	090133	A
REVISED		DO NOT SCALE DRAWING			SHEET 1 OF 1

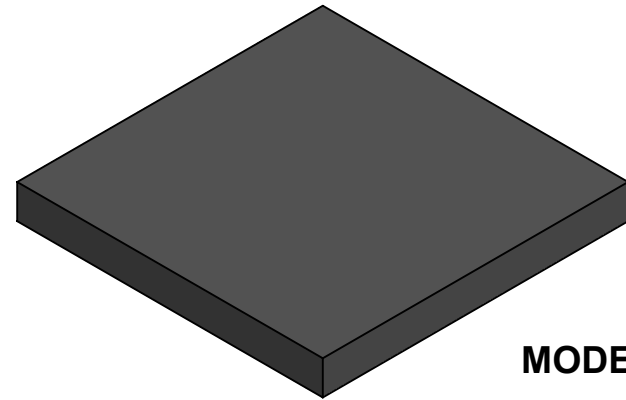
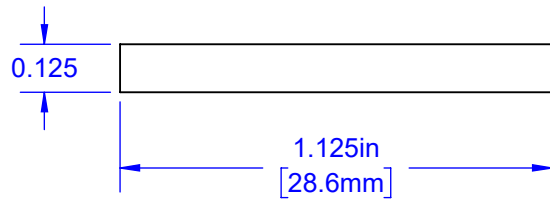
**TOP**



**EDGE**



**SIDE**



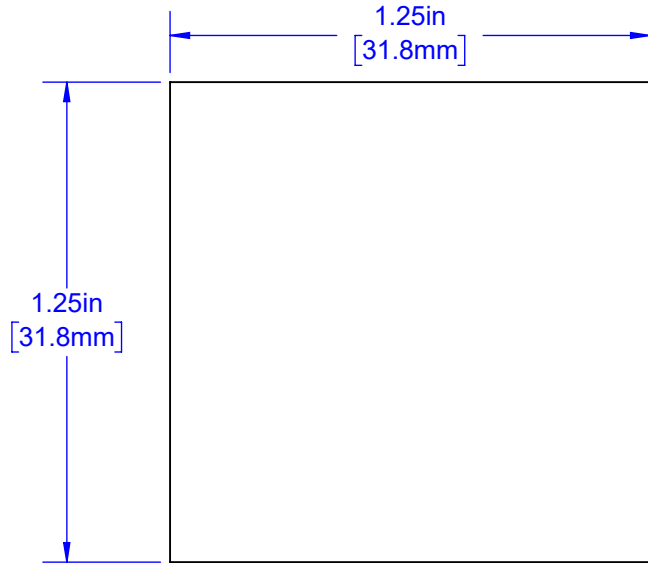
**MODEL**

Notes: (Unless Otherwise Specified).

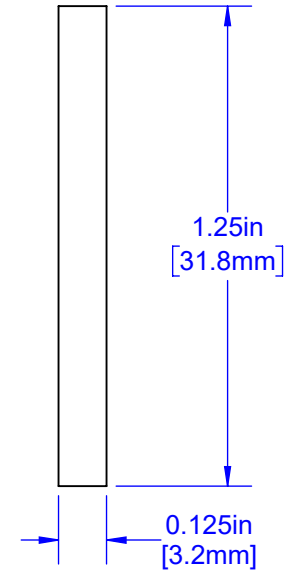
- 1) SURFACE RESISTIVITY:  $10^3 \Omega$  TO  $10^6 \Omega$  PER SQUARE.
- 2) SOFT CONDUCTIVE FOAM.
- 3) DENSITY 1.7 PFC Min.
- 4) DIMENSIONS INCHES [mm]

APPROVALS	DATE	<b>TopLine<sup>®</sup></b>			
DRAWN T. Au	7/17/2021				
ENG M. Hart	7/17/2021	TITLE FOAM-SOFT-1.125-A LOW DENSITY FOAM			
MFG		SCALE 2:1	SIZE A	DRAWING NO. 090128	REV A
QA					
CUST		DO NOT SCALE DRAWING			SHEET 1 OF 1
REVISED					

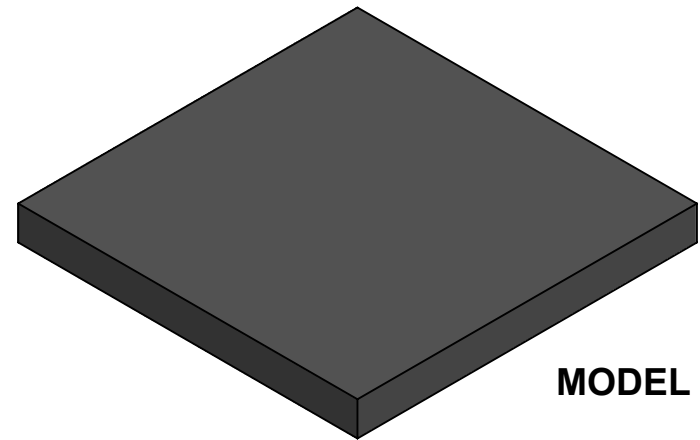
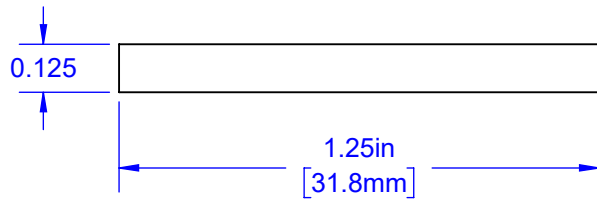
**TOP**



**EDGE**



**SIDE**

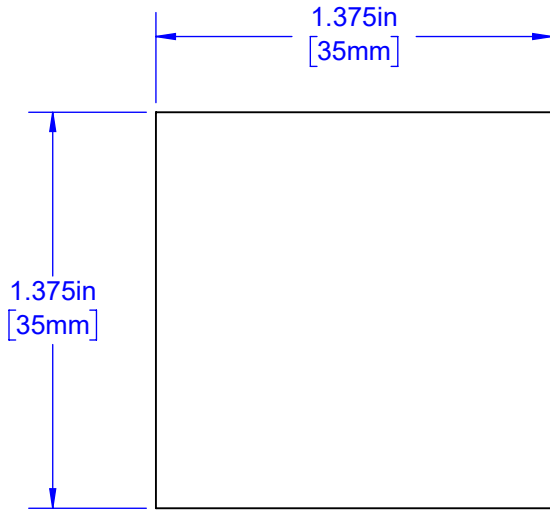


Notes: (Unless Otherwise Specified).

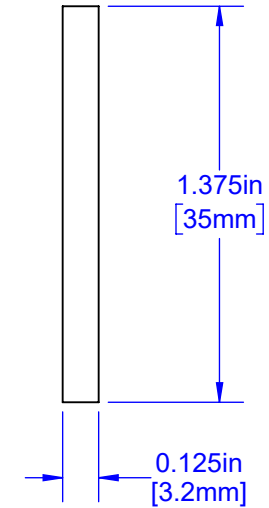
- 1) SURFACE RESISTIVITY:  $10^3 \Omega$  TO  $10^6 \Omega$  PER SQUARE.
- 2) SOFT CONDUCTIVE FOAM.
- 3) DENSITY 1.7 PFC Min.
- 4) DIMENSIONS INCHES [mm].

APPROVALS	DATE	<b>TopLine<sup>®</sup></b>			
DRAWN T. Au	7/17/2021				
ENG M. Hart	7/17/2021	TITLE FOAM-SOFT-1.25-A LOW DENSITY FOAM			
MFG					
QA		SCALE	SIZE	DRAWING NO.	REV
CUST		2:1	A	090132	A
REVISED		DO NOT SCALE DRAWING			SHEET 1 OF 1

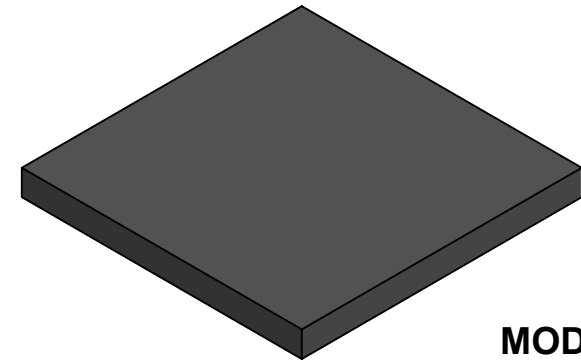
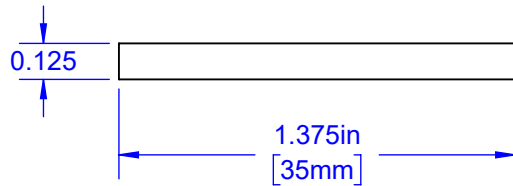
**TOP**



**EDGE**



**SIDE**



**MODEL**

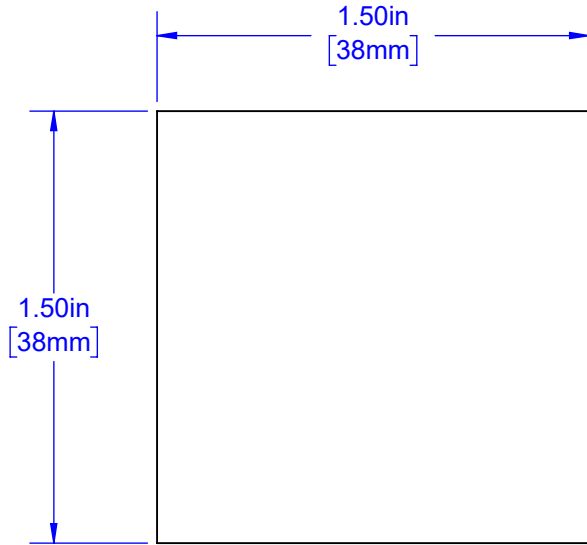
Notes: (Unless Otherwise Specified).

- 1) SURFACE RESISTIVITY:  $10^3 \Omega$  TO  $10^6 \Omega$  PER SQUARE.
- 2) SOFT CONDUCTIVE FOAM.
- 3) DENSITY 1.7 PFC Min.
- 4) DIMENSIONS INCHES [mm].

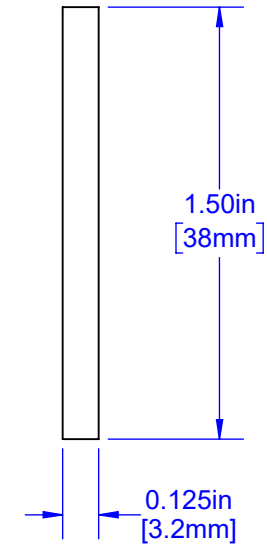
APPROVALS	DATE	<b>TopLine<sup>®</sup></b>			
DRAWN T. Au	7/17/2021				
ENG M. Hart	7/17/2021	TITLE FOAM-SOFT-1.375-A LOW DENSITY FOAM			
MFG		SCALE 3:2	SIZE A	DRAWING NO. 090135	REV A
QA					
CUST		DO NOT SCALE DRAWING			SHEET 1 OF 1
REVISED					



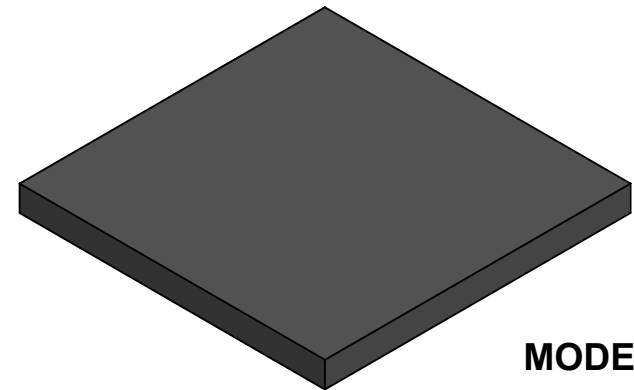
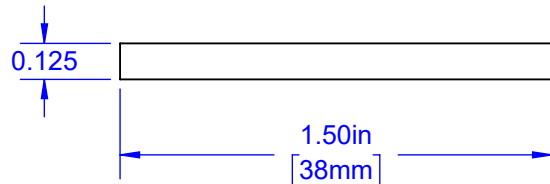
**TOP**



**EDGE**



**SIDE**



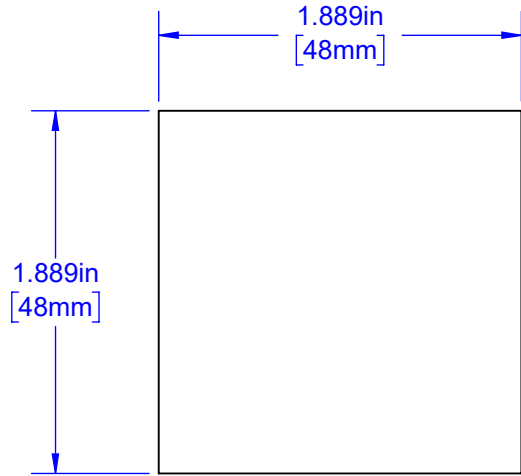
**MODEL**

Notes: (Unless Otherwise Specified).

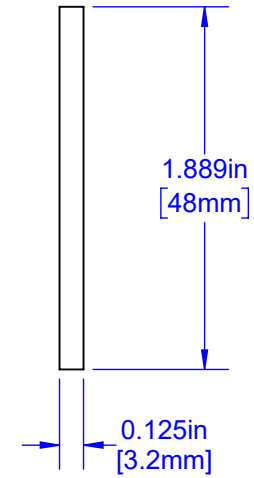
- 1) SURFACE RESISTIVITY:  $10^3 \Omega$  TO  $10^6 \Omega$  PER SQUARE.
- 2) SOFT CONDUCTIVE FOAM.
- 3) DENSITY 1.7 PFC Min.
- 4) DIMENSIONS INCHES [mm].

APPROVALS	DATE	<b>TopLine<sup>®</sup></b>			
DRAWN T. Au	7/17/2021				
ENG M. Hart	7/17/2021	TITLE FOAM-SOFT-1.5-A LOW DENSITY FOAM			
MFG					
QA		SCALE	SIZE	DRAWING NO.	REV
CUST		3:2	A	090138	A
REVISED		DO NOT SCALE DRAWING			SHEET 1 OF 1

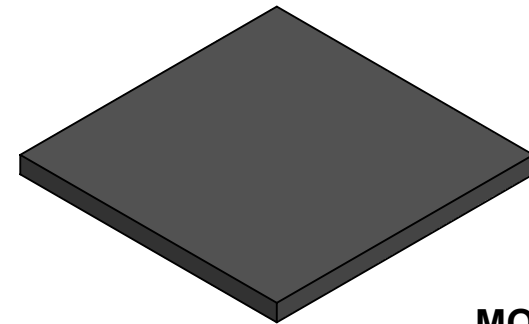
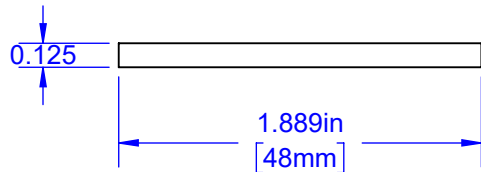
**TOP**



**EDGE**



**SIDE**



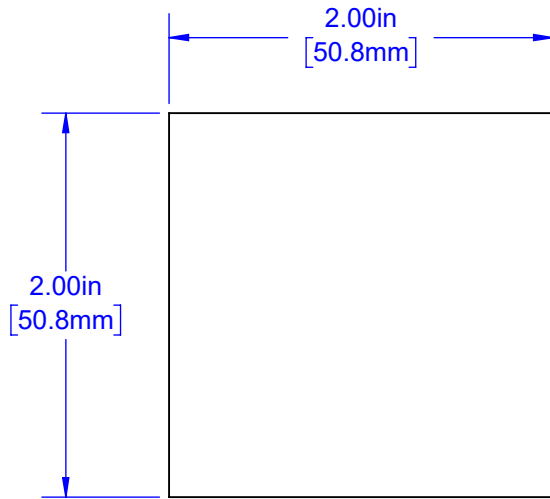
**MODEL**

Notes: (Unless Otherwise Specified).

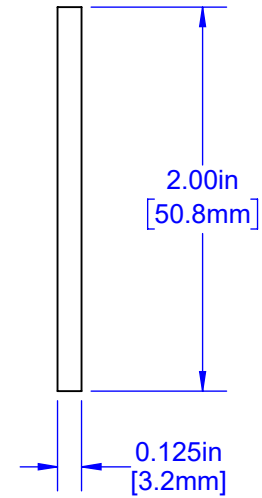
- 1) SURFACE RESISTIVITY:  $10^3 \Omega$  TO  $10^6 \Omega$  PER SQUARE.
- 2) SOFT CONDUCTIVE FOAM.
- 3) DENSITY 1.7 PFC Min.
- 4) DIMENSIONS INCHES [mm].

APPROVALS	DATE	<b>TopLine®</b>			
DRAWN T. Au	7/17/2021				
ENG M. Hart	7/17/2021	TITLE FOAM-SOFT-1.889-A LOW DENSITY FOAM			
MFG		SCALE 1:1	SIZE A	DRAWING NO. 090014	REV A
QA					
CUST		DO NOT SCALE DRAWING			SHEET 1 OF 1
REVISED					

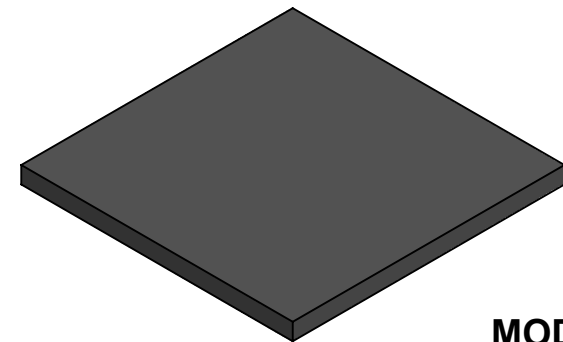
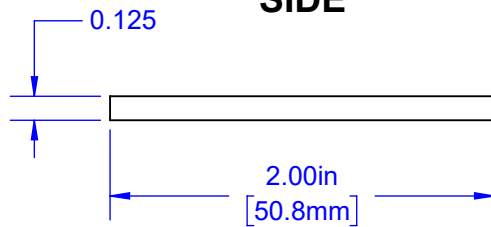
**TOP**



**EDGE**



**SIDE**



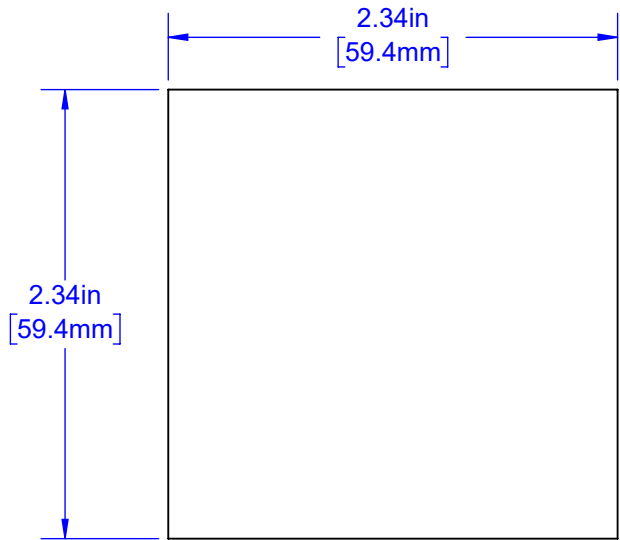
**MODEL**

Notes: (Unless Otherwise Specified).

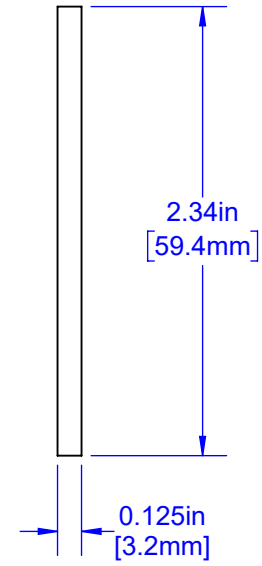
- 1) SURFACE RESISTIVITY:  $10^3 \Omega$  TO  $10^6 \Omega$  PER SQUARE.
- 2) SOFT CONDUCTIVE FOAM.
- 3) DENSITY 1.7 PFC Min.
- 4) DIMENSIONS INCHES [mm].

APPROVALS	DATE	<b>TopLine<sup>®</sup></b>			
DRAWN T. Au	7/17/2021				
ENG M. Hart	7/17/2021	TITLE FOAM-SOFT-2.0-A LOW DENSITY FOAM			
MFG		SCALE 1:1	SIZE A	DRAWING NO. 090150	REV A
QA					
CUST		DO NOT SCALE DRAWING			SHEET 1 OF 1
REVISED					

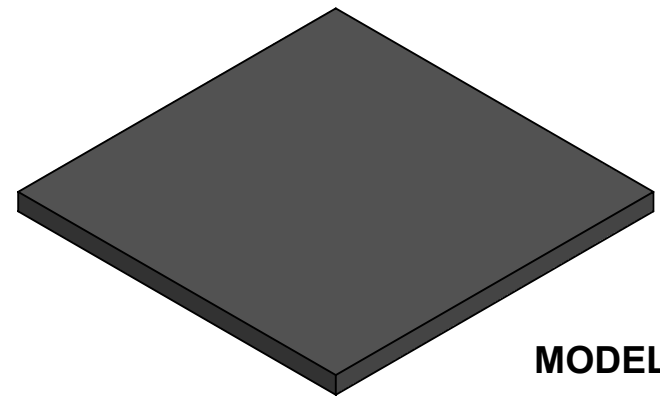
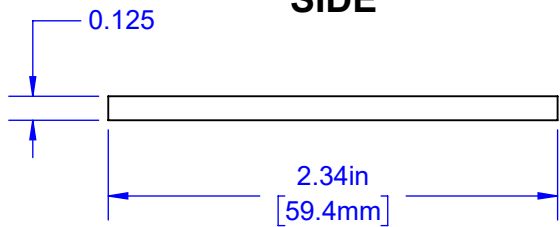
**TOP**



**EDGE**



**SIDE**



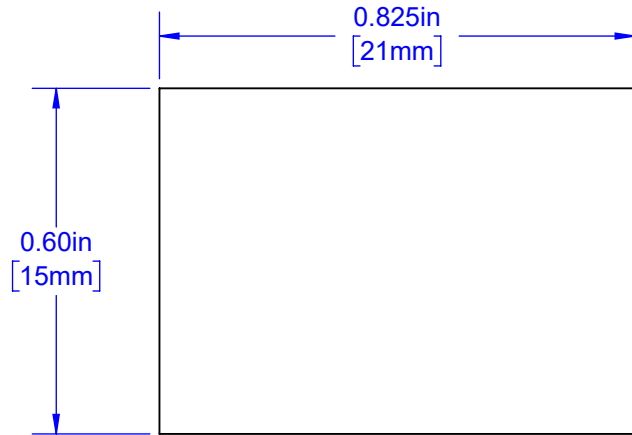
**MODEL**

Notes: (Unless Otherwise Specified).

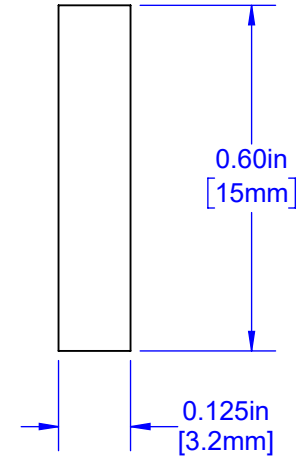
- 1) SURFACE RESISTIVITY:  $10^3 \Omega$  TO  $10^6 \Omega$  PER SQUARE.
- 2) SOFT CONDUCTIVE FOAM.
- 3) DENSITY 1.7 PFC Min.
- 4) DIMENSIONS INCHES [mm].

APPROVALS	DATE	<b>TopLine<sup>®</sup></b>			
DRAWN T. Au	7/17/2021				
ENG M. Hart	7/17/2021	TITLE FOAM-SOFT-2.34-A LOW DENSITY FOAM			
MFG					
QA		SCALE	SIZE	DRAWING NO.	REV
CUST		1:1	A	090011	A
REVISED		DO NOT SCALE DRAWING			SHEET 1 OF 1

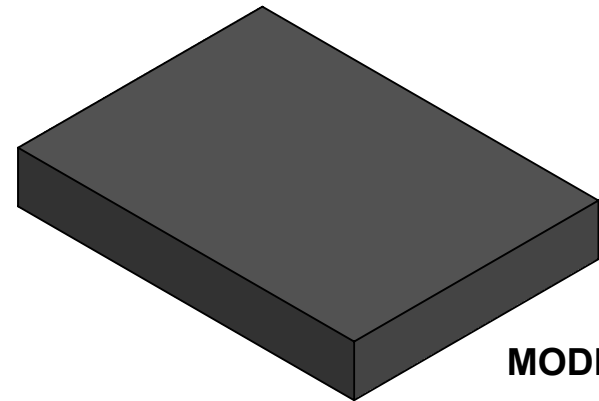
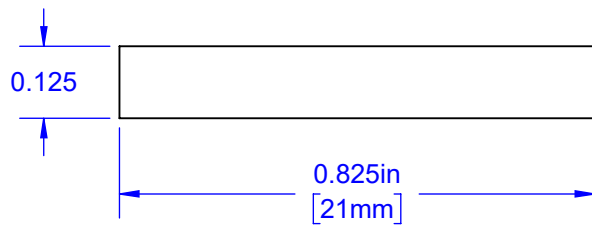
### TOP



### EDGE



### SIDE



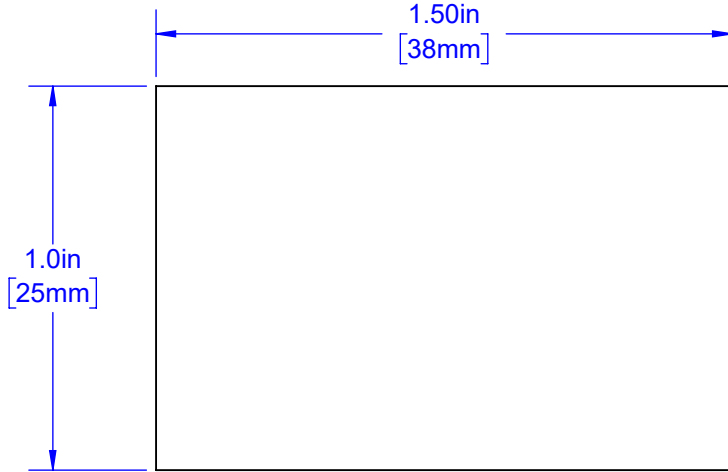
**MODEL**

Notes: (Unless Otherwise Specified).

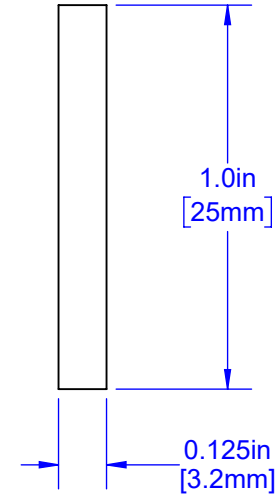
- 1) SURFACE RESISTIVITY:  $10^3 \Omega$  TO  $10^6 \Omega$  PER SQUARE.
- 2) SOFT CONDUCTIVE FOAM.
- 3) DENSITY 1.7 PFC Min.
- 4) DIMENSIONS INCHES [mm].

APPROVALS	DATE	<b>TopLine<sup>®</sup></b>			
DRAWN T. Au	7/17/2021				
ENG M. Hart	7/17/2021	TITLE FOAM-SOFT-.60x.825-A LOW DENSITY FOAM			
MFG		SCALE 3:1	SIZE A	DRAWING NO.	REV
QA				090129	A
CUST		DO NOT SCALE DRAWING			SHEET 1 OF 1
REVISED					

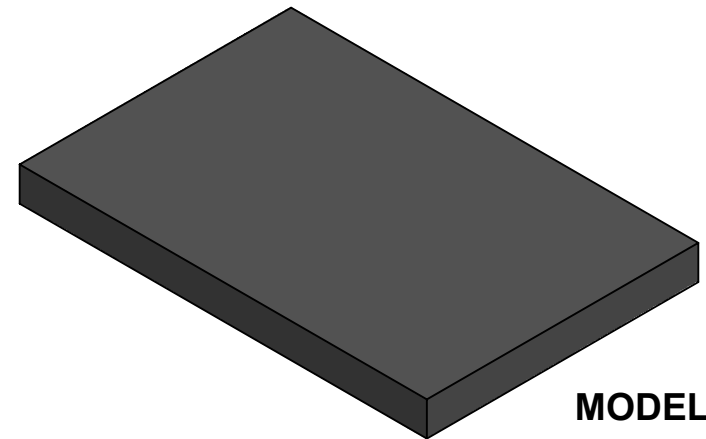
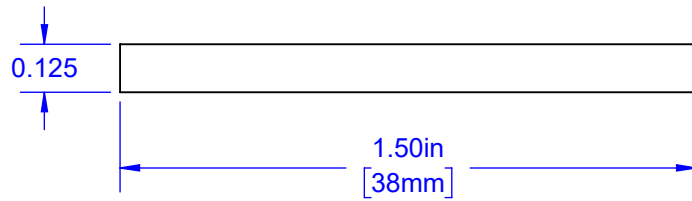
**TOP**



**EDGE**



**SIDE**



**MODEL**

Notes: (Unless Otherwise Specified).

- 1) SURFACE RESISTIVITY:  $10^3 \Omega$  TO  $10^6 \Omega$  PER SQUARE.
- 2) SOFT CONDUCTIVE FOAM.
- 3) DENSITY 1.7 PFC Min.
- 4) DIMENSIONS INCHES [mm].

APPROVALS	DATE	<b>TopLine<sup>®</sup></b>			
DRAWN T. Au	7/17/2021				
ENG M. Hart	7/17/2021	TITLE FOAM-SOFT-1.00x1.50-A LOW DENSITY FOAM			
MFG		SCALE 2:1	SIZE A	DRAWING NO.	REV
QA				090139	A
CUST		DO NOT SCALE DRAWING			SHEET 1 OF 1
REVISED					