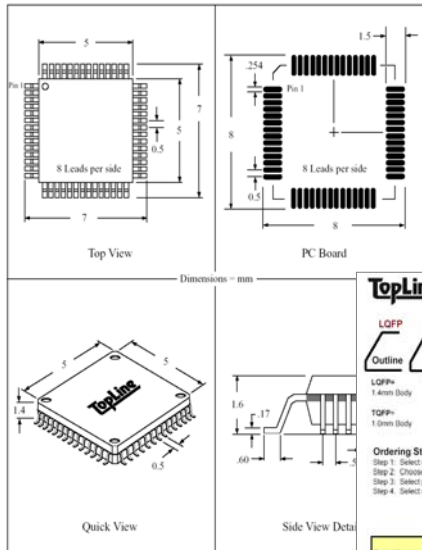


Table of Contents			
Part Series	Pitch	Size	Page
LQFP32T19.7	0.5mm	5mm	2
LQFP32T30	0.8mm	7mm	5
LQFP44T30	0.8mm	10mm	8
LQFP44T40	1.0mm	14mm	11
LQFP48T19.7	0.5mm	7mm	14
LQFP52T25	0.65mm	10mm	17
LQFP52T40	1.0mm	14mm	20
LQFP64T15.7	0.4mm	7mm	23
LQFP64T19.7	0.5mm	10mm	26
LQFP64T30	0.8mm	14mm	29
LQFP80T15.7	0.4mm	10mm	32
LQFP80T19.7	0.5mm	12mm	35
LQFP80T25	0.65mm	14mm	38

Table of Contents			
Part Series	Pitch	Size	Page
LQFP100T19.7	0.5mm	14mm	41
LQFP100T25	0.65mm	14x20	44
LQFP120T15.7	0.4mm	14mm	47
LQFP128T15.7	0.4mm	14mm	50
LQFP128T19.7	0.5mm	14x20	53
LQFP144T19.7	0.5mm	20mm	56
LQFP160T19.7	0.5mm	24mm	59
LQFP176T15.7	0.4mm	20mm	62
LQFP176T19.7	0.5mm	24mm	65
LQFP208T19.7	0.5mm	28mm	68
LQFP216T15.7	0.4mm	24mm	71
LQFP256T15.7	0.4mm	28mm	74



Part Number

How to Order LQFP32

www.TopLine.tv
 email: info@topline.tv

LQFP **32** **T** **19.7** **T** **DE** **D**
Outline **Pins** **Packaging** **Pitch** **Plating** **Daisy Chain** **Die**

LQFP: 1.4mm Body
T: Tray
19.7: 0.5mm
T: 5x Matte Tin
DE: Daisy Chain
D: Curved Die

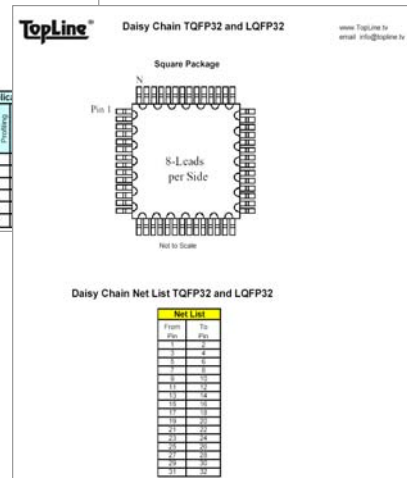
Options:
Plating: E = Tape, E13A+13F Plating
Pitch: 25 = 0.5mm, 30 = 0.6mm, 40 = 1.0mm
Blank: S-Pb

Options:
Daisy Chain: Yes/No
Curved Die: Yes/No
Isolated: Yes/No
Moisture Sensitive Device: Yes/No
RoHS Pb-Free: Yes/No
Temperature: Yes/No

Ordering Steps:
 Step 1: Select outline body thickness (LQFP (1.4mm) or LQFP (1.6mm))
 Step 2: Choose packaging. Tray is standard. Tape and Pallet is available.
 Step 3: Select plating requirements. RoHS Pb-Free or S-Pb.
 Step 4: Select options according to your application. See chart below.

Part Number	Plating	Daisy Chain	Curved Die	Isolated	Moisture Sensitive Device	RoHS Pb-Free	Temperature
LQFP32T19.7	S-Pb	No	No	No	x	x	x
LQFP32T19.7T	Pb-Free	No	No	No	x	x	x
LQFP32T19.7DE-D	S-Pb	Yes	Yes	No	x	x	x
LQFP32T19.7TDE-D	Pb-Free	Yes	Yes	No	x	x	x
LQFP32T19.7-8SD	S-Pb	No	No	Yes	x	x	x
LQFP32T19.7T-8SD	Pb-Free	No	No	Yes	x	x	x

Daisy Chain

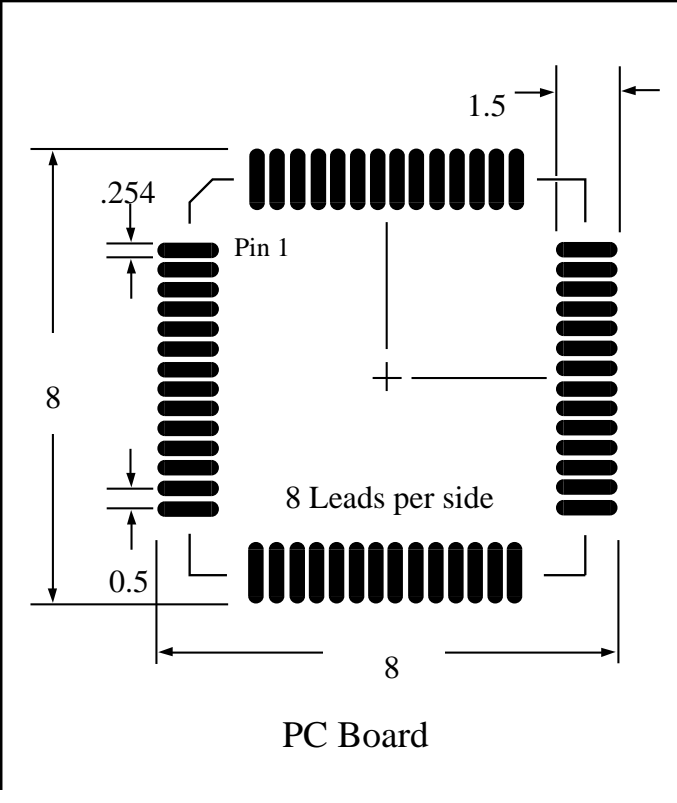
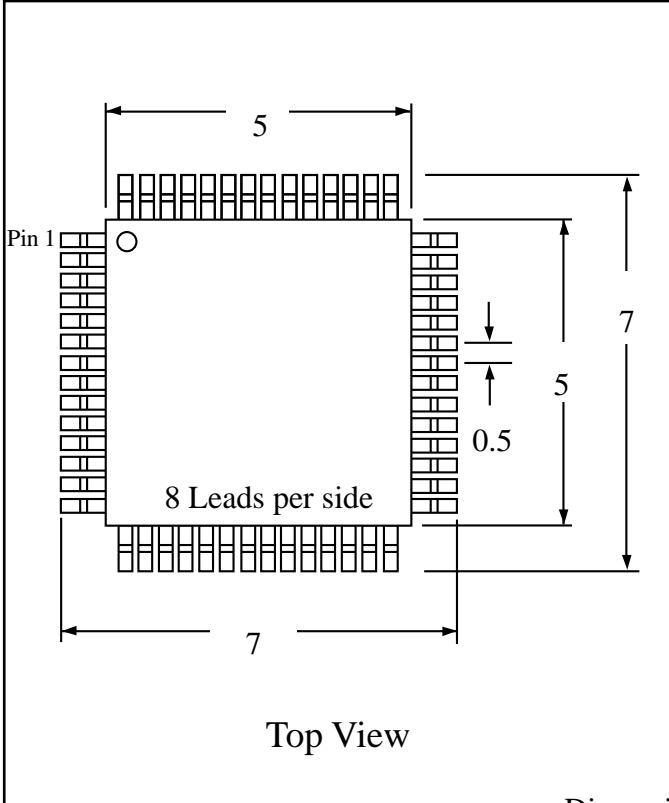


Part # **LQFP32T19.7**
 Leads **32** Pitch **0.5mm**
 Body Size **5mm SQ**

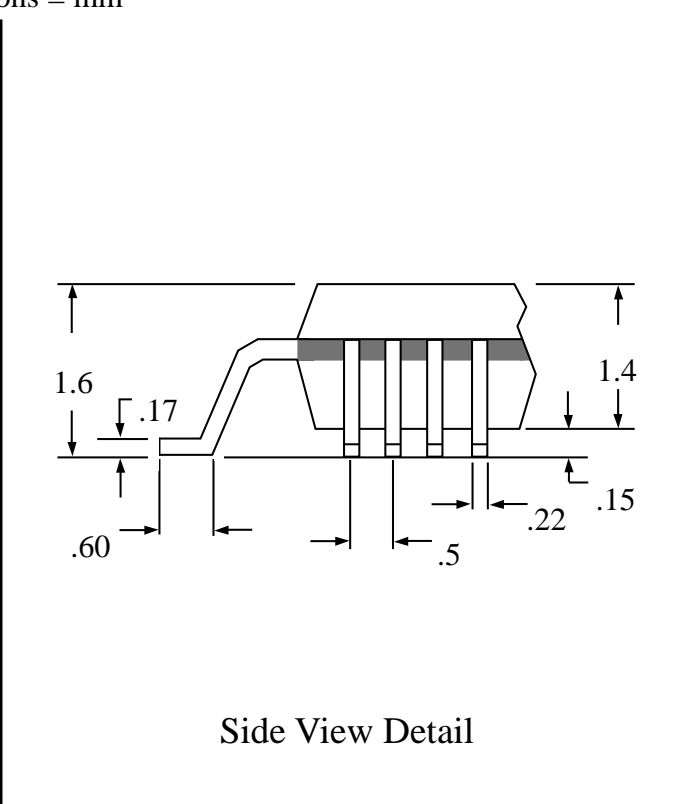
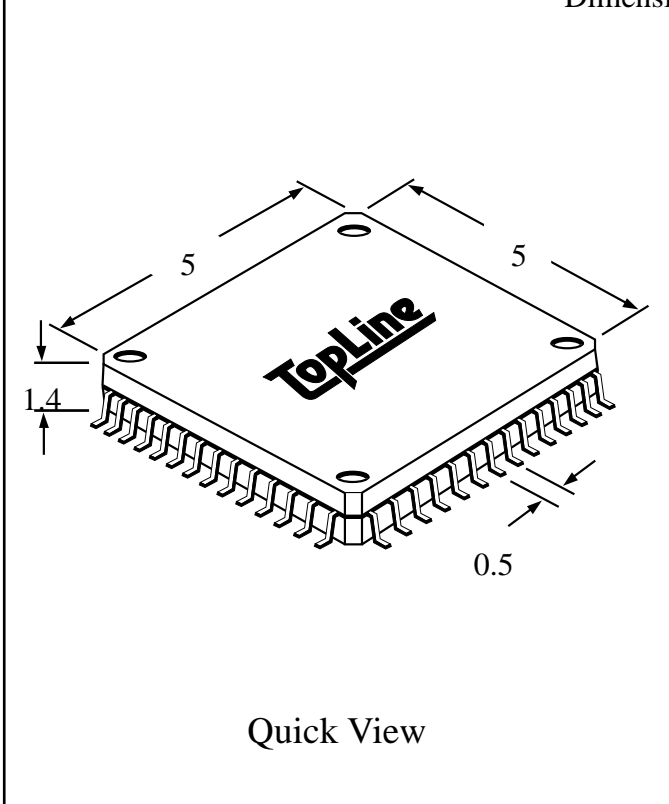


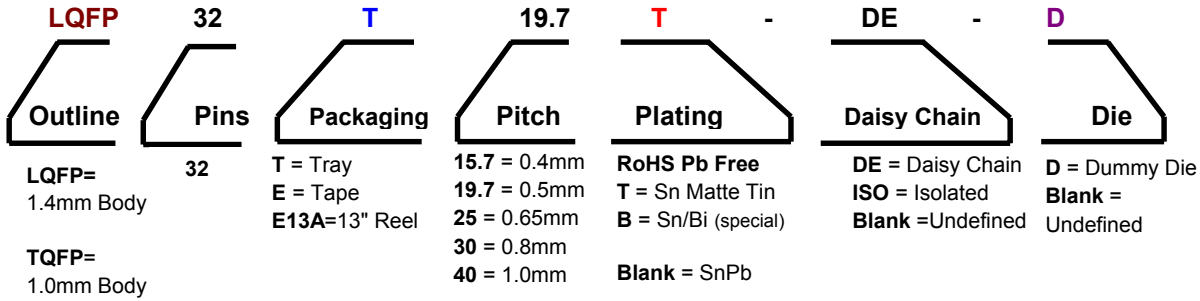
Tel 1-800-776-9888
 info@topline.tv

Available RoHS Pb-Free



Dimensions = mm





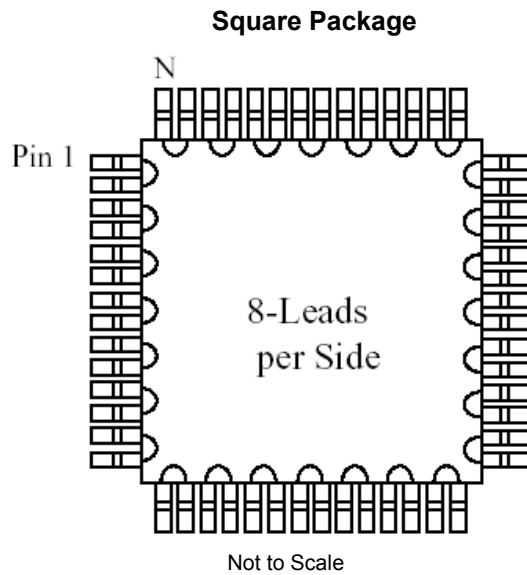
Ordering Steps:

- Step 1: Select outline body thickness TQFP (1.0mm) or LQFP (1.4mm).
- Step 2: Choose packaging. Tray is standard. Tape and Reel is available.
- Step 3: Select plating requirements. RoHS Pb-Free or SnPb
- Step 4: Select options according to your application. See chart below.

Part Number Packaged in Tray (Standard)	Options				Applications					
	Plating	Daisy Chain	Dummy Die	Isolated Pins	Mounting Practice	Rework Solder Practice	Reflow Temperature Profiling	Continuity Test	Life Cycle Test	S.I.R. Test
LQFP32T19.7	SnPb	No	No	No	x	x				
LQFP32T19.7T	Pb-Free	No	No	No	x	x				
LQFP32T19.7-DE-D	SnPb	Yes	Yes	No	x	x	x	x	x	
LQFP32T19.7T-DE-D	Pb-Free	Yes	Yes	No	x	x	x	x	x	
LQFP32T19.7-ISO	SnPb	No	No	Yes	x	x	x			x
LQFP32T19.7T-ISO	Pb-Free	No	No	Yes	x	x	x			x

Part Number Packaged in Tape and Reel	Options				Applications					
	Plating	Daisy Chain	Dummy Die	Isolated Pins	Mounting Practice	Rework Solder Practice	Reflow Temperature Profiling	Continuity Test	Life Cycle Test	S.I.R. Test
LQFP32E13A19.7	SnPb	No	No	No	x	x				
LQFP32E13A19.7T	Pb-Free	No	No	No	x	x				
LQFP32E13A19.7-DE-D	SnPb	Yes	Yes	No	x	x	x	x	x	
LQFP32E13A19.7T-DE-D	Pb-Free	Yes	Yes	No	x	x	x	x	x	
LQFP32E13A19.7-ISO	SnPb	No	No	Yes	x	x	x			x
LQFP32E13A19.7T-ISO	Pb-Free	No	No	Yes	x	x	x			x

Visit www.TopLine.tv or email info@TopLine.tv for applications assistance.

**Daisy Chain Net List TQFP32 and LQFP32**

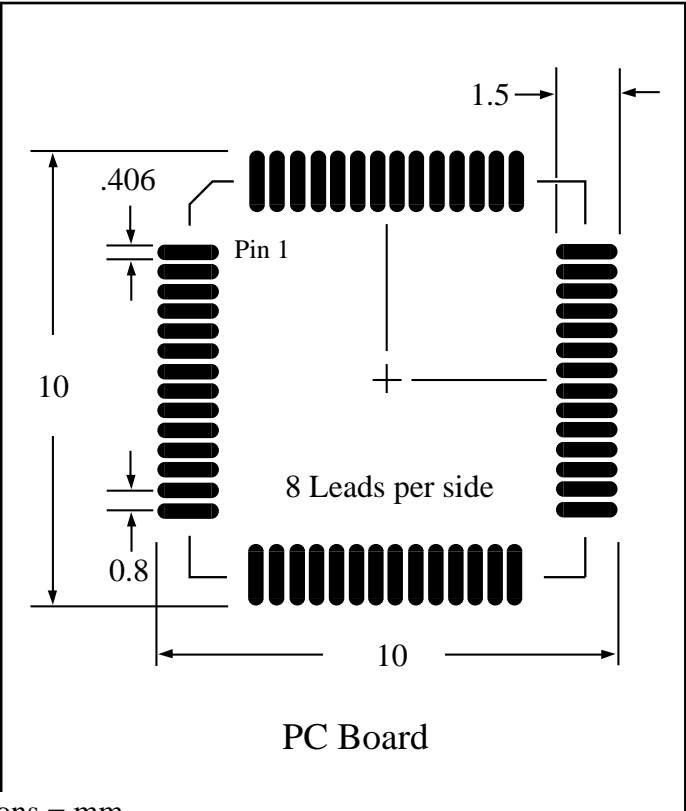
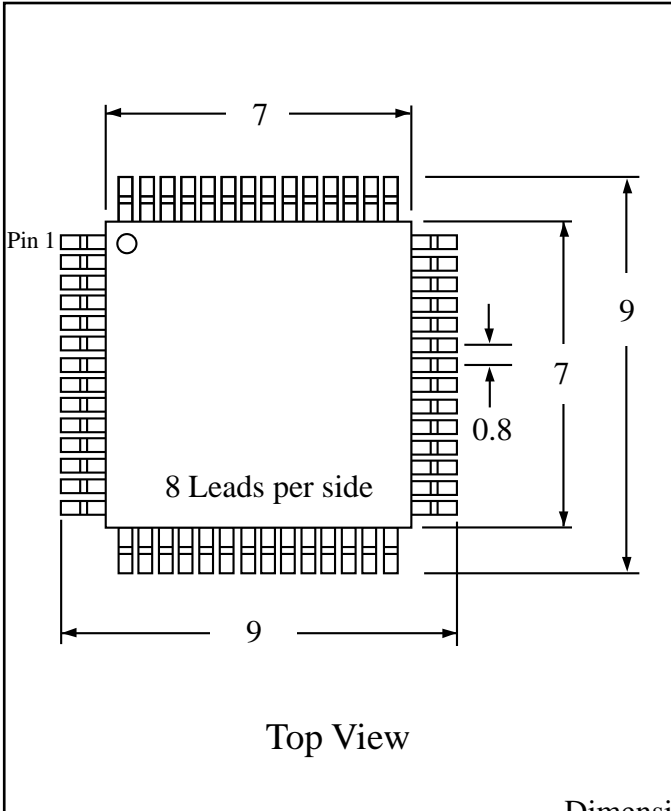
Net List	
From Pin	To Pin
1	2
3	4
5	6
7	8
9	10
11	12
13	14
15	16
17	18
19	20
21	22
23	24
25	26
27	28
29	30
31	32

Visit www.TopLine.tv or email info@TopLine.tv for applications assistance.

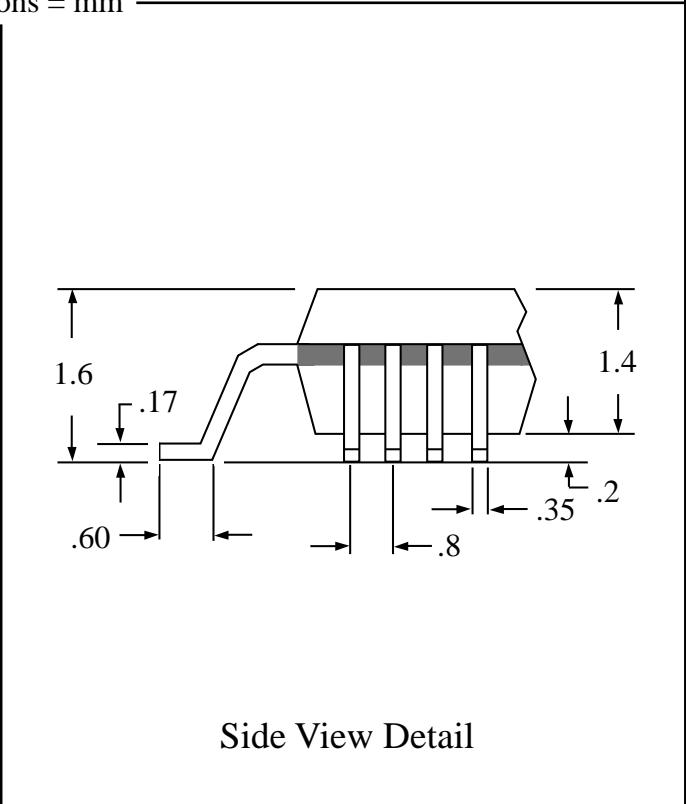
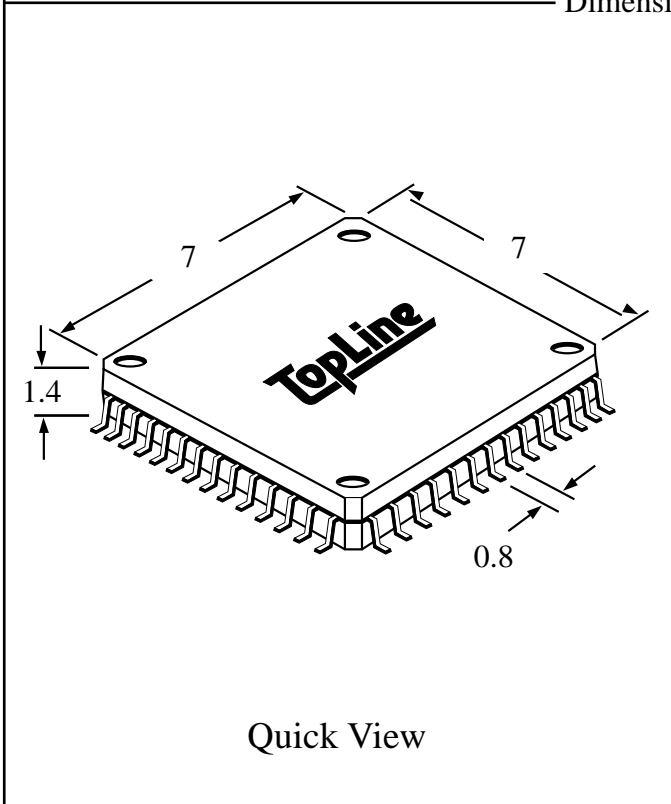
Part # **LQFP32T30**
 Leads **32** Pitch **0.8mm**
 Body Size **7mm SQ**
 Available RoHS Pb-Free

TopLineTM

Tel 1-800-776-9888
 info@topline.tv



Dimensions = mm



LQFP	32	T	30	T -	DE -	D
Outline LQFP= 1.4mm Body TQFP= 1.0mm Body	Pins 32	Packaging T = Tray E = Tape E13A=13" Reel	Pitch 15.7 = 0.4mm 19.7 = 0.5mm 25 = 0.65mm 30 = 0.8mm 40 = 1.0mm	Plating RoHS Pb Free T = Sn Matte Tin B = Sn/Bi (special) Blank = SnPb	Daisy Chain DE = Daisy Chain ISO = Isolated Blank = Undefined	Die D = Dummy Die Blank = Undefined

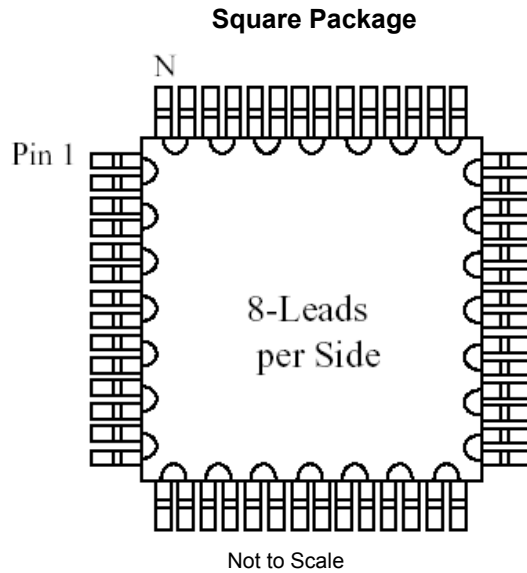
Ordering Steps:

- Step 1: Select outline body thickness TQFP (1.0mm) or LQFP (1.4mm).
- Step 2: Choose packaging. Tray is standard. Tape and Reel is available.
- Step 3: Select plating requirements. RoHS Pb-Free or SnPb
- Step 4: Select options according to your application. See chart below.

Part Number Packaged in Tray (Standard)	Options				Applications					
	Plating	Daisy Chain	Dummy Die	Isolated Pins	Mounting Practice	Rework Solder Practice	Reflow Temperature Profiling	Continuity Test	Life Cycle Test	S.I.R. Test
LQFP32T30	SnPb	No	No	No	x	x				
LQFP32T30T	Pb-Free	No	No	No	x	x				
LQFP32T30-DE-D	SnPb	Yes	Yes	No	x	x	x	x	x	
LQFP32T30T-DE-D	Pb-Free	Yes	Yes	No	x	x	x	x	x	
LQFP32T30-ISO	SnPb	No	No	Yes	x	x	x			x
LQFP32T30T-ISO	Pb-Free	No	No	Yes	x	x	x			x

Part Number Packaged in Tape and Reel	Options				Applications					
	Plating	Daisy Chain	Dummy Die	Isolated Pins	Mounting Practice	Rework Solder Practice	Reflow Temperature Profiling	Continuity Test	Life Cycle Test	S.I.R. Test
LQFP32E13A30	SnPb	No	No	No	x	x				
LQFP32E13A30T	Pb-Free	No	No	No	x	x				
LQFP32E13A30-DE-D	SnPb	Yes	Yes	No	x	x	x	x	x	
LQFP32E13A30T-DE-D	Pb-Free	Yes	Yes	No	x	x	x	x	x	
LQFP32E13A30-ISO	SnPb	No	No	Yes	x	x	x			x
LQFP32E13A30T-ISO	Pb-Free	No	No	Yes	x	x	x			x

Visit www.TopLine.tv or email info@TopLine.tv for applications assistance.

**Daisy Chain Net List TQFP32 and LQFP32**

Net List	
From Pin	To Pin
1	2
3	4
5	6
7	8
9	10
11	12
13	14
15	16
17	18
19	20
21	22
23	24
25	26
27	28
29	30
31	32

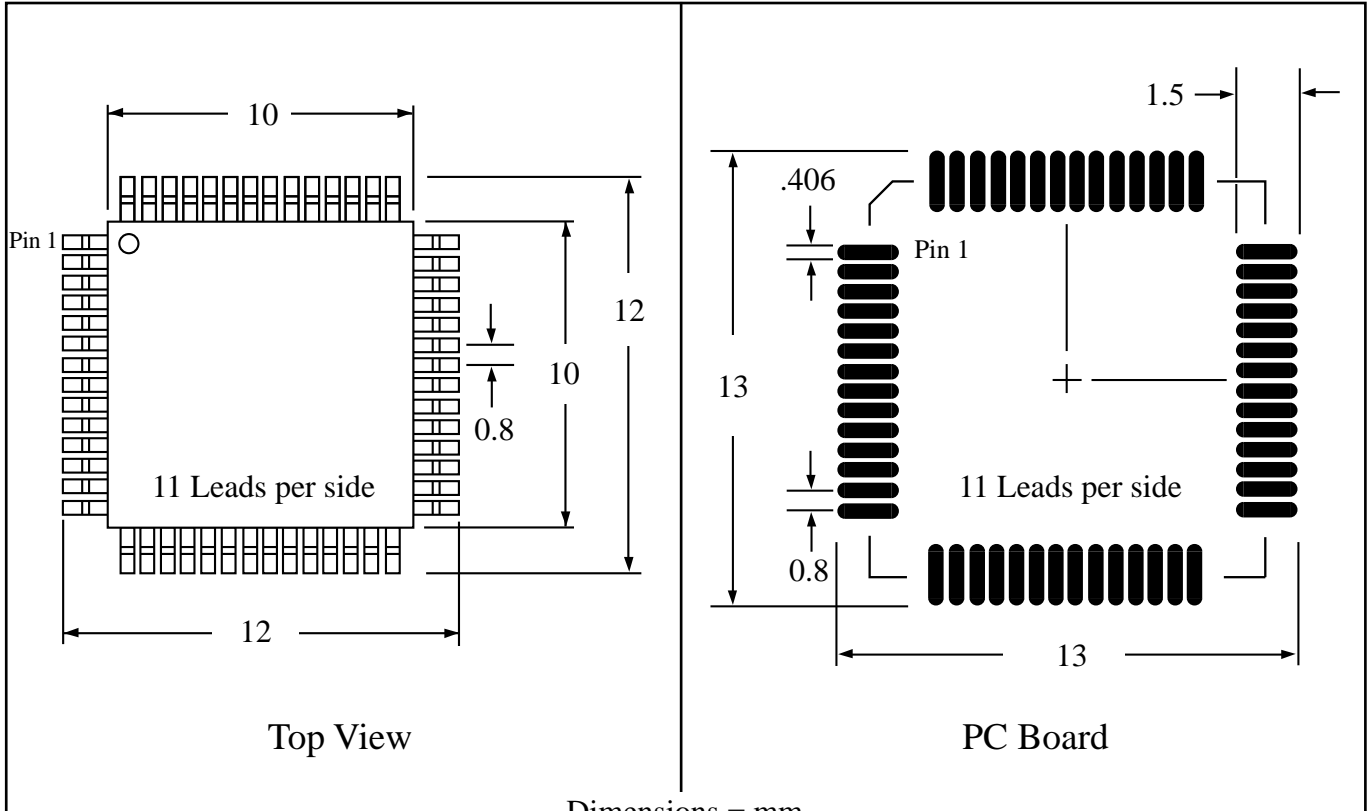
Visit www.TopLine.tv or email info@TopLine.tv for applications assistance.

Part # **LQFP44T30**
 Leads **44** Pitch **0.8mm**
 Body Size **10mm SQ**

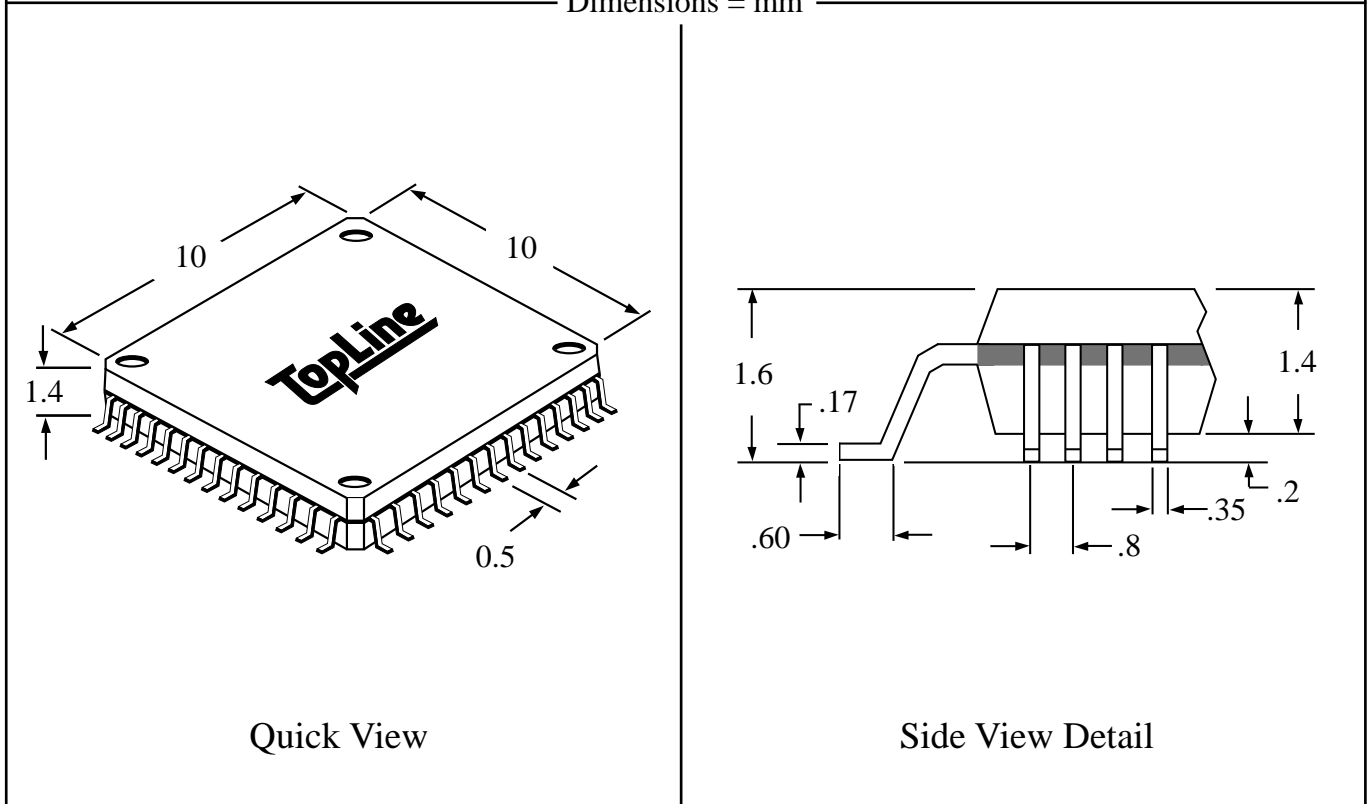
Available RoHS Pb-Free

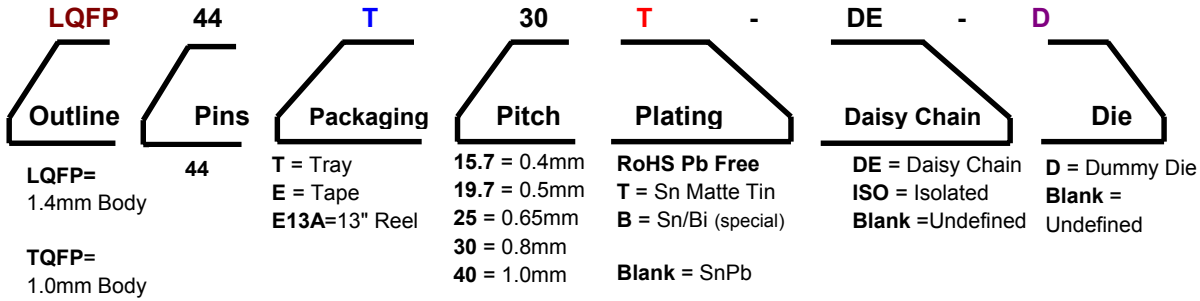
TopLineTM

Tel 1-800-776-9888
 info@topline.tv



Dimensions = mm





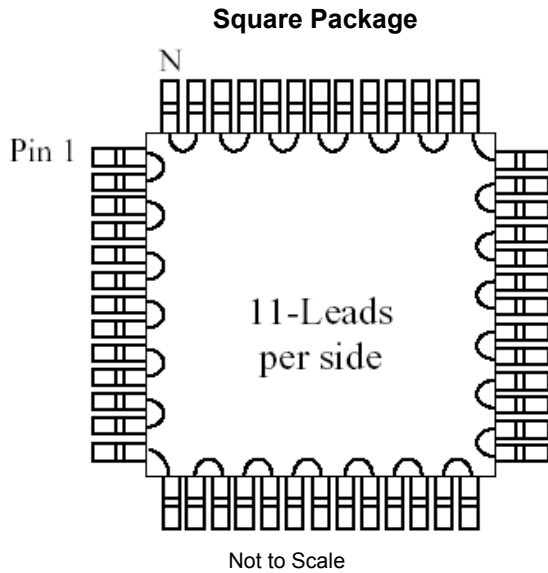
Ordering Steps:

- Step 1: Select outline body thickness TQFP (1.0mm) or LQFP (1.4mm).
- Step 2: Choose packaging. Tray is standard. Tape and Reel is available.
- Step 3: Select plating requirements. RoHS Pb-Free or SnPb
- Step 4: Select options according to your application. See chart below.

Part Number Packaged in Tray (Standard)	Options				Applications					
	Plating	Daisy Chain	Dummy Die	Isolated Pins	Mounting Practice	Rework Solder Practice	Reflow Temperature Profiling	Continuity Test	Life Cycle Test	S.I.R. Test
LQFP44T30	SnPb	No	No	No	x	x				
LQFP44T30T	Pb-Free	No	No	No	x	x				
LQFP44T30-DE-D	SnPb	Yes	Yes	No	x	x	x	x	x	
LQFP44T30T-DE-D	Pb-Free	Yes	Yes	No	x	x	x	x	x	
LQFP44T30-ISO	SnPb	No	No	Yes	x	x	x			x
LQFP44T30T-ISO	Pb-Free	No	No	Yes	x	x	x			x

Part Number Packaged in Tape and Reel	Options				Applications					
	Plating	Daisy Chain	Dummy Die	Isolated Pins	Mounting Practice	Rework Solder Practice	Reflow Temperature Profiling	Continuity Test	Life Cycle Test	S.I.R. Test
LQFP44E13A30	SnPb	No	No	No	x	x				
LQFP44E13A30T	Pb-Free	No	No	No	x	x				
LQFP44E13A30-DE-D	SnPb	Yes	Yes	No	x	x	x	x	x	
LQFP44E13A30T-DE-D	Pb-Free	Yes	Yes	No	x	x	x	x	x	
LQFP44E13A30-ISO	SnPb	No	No	Yes	x	x	x			x
LQFP44E13A30T-ISO	Pb-Free	No	No	Yes	x	x	x			x

Visit www.TopLine.tv or email info@TopLine.tv for applications assistance.



Daisy Chain Net List TQFP44, LQFP44 and QFP44

Net List	
From Pin	To Pin
1	2
3	4
5	6
7	8
9	10
11	12
13	14
15	16
17	18
19	20
21	22
23	24
25	26
27	28
29	30
31	32
33	34
35	36
37	38
39	40
41	42
43	44

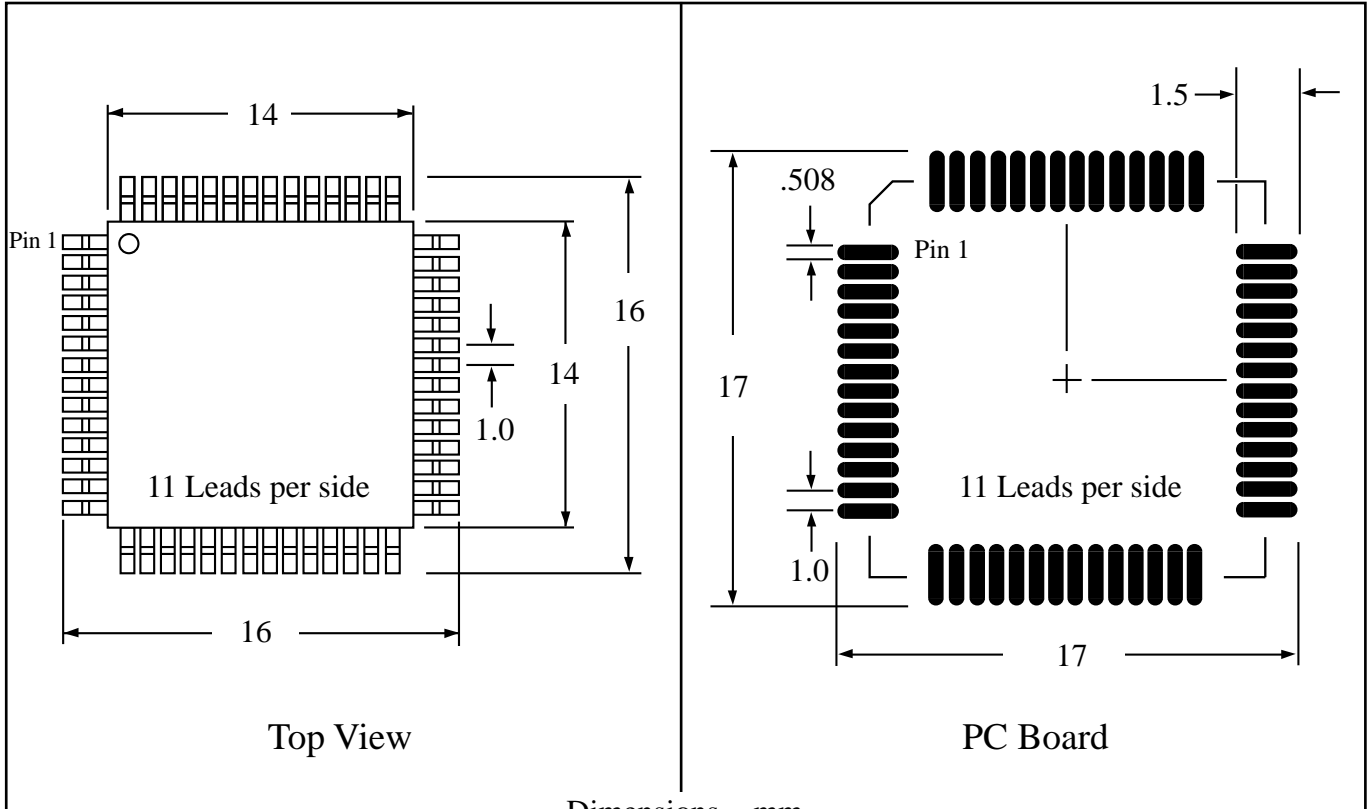
Visit www.TopLine.tv or email info@TopLine.tv for applications assistance.

Part # **LQFP44T40**
 Leads **44** Pitch **1.4mm**
 Body Size **14mm SQ**

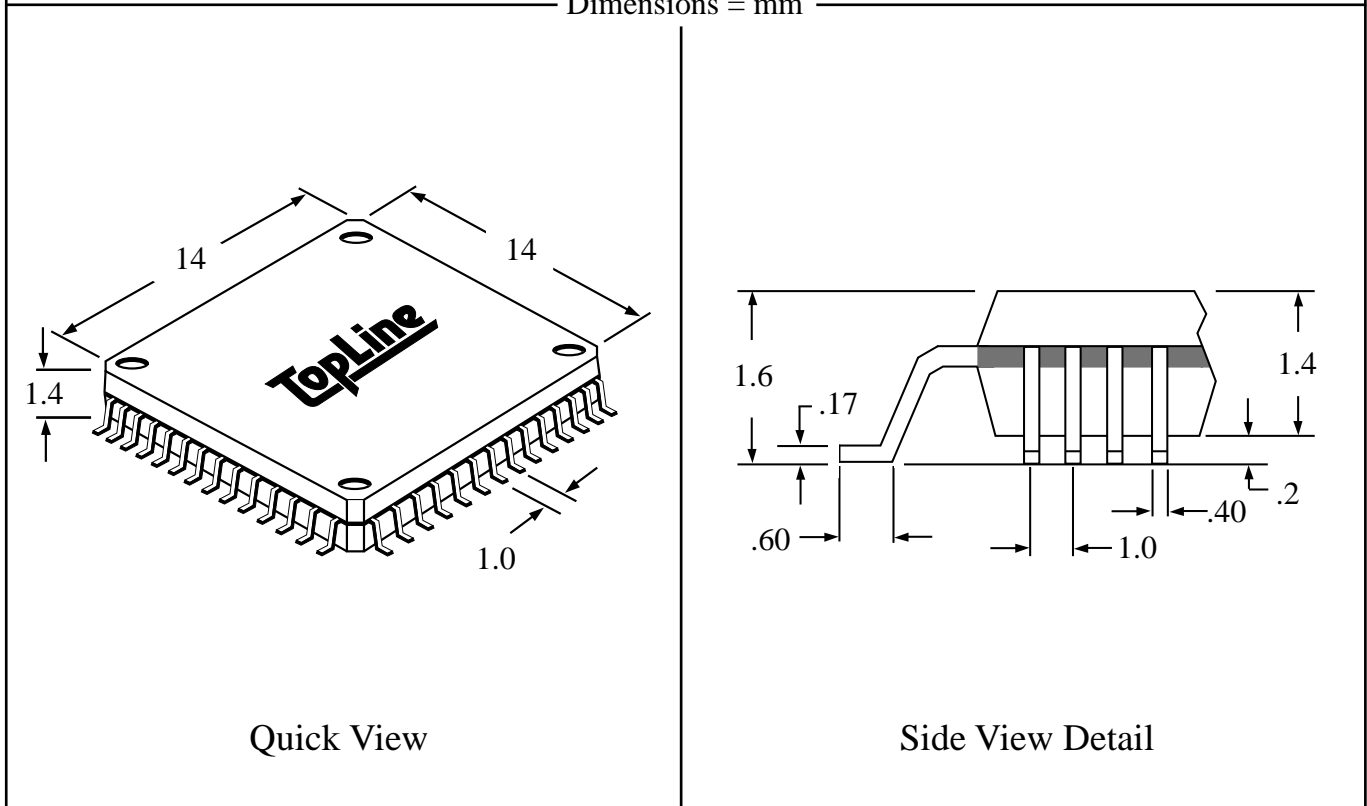
Available RoHS Pb-Free

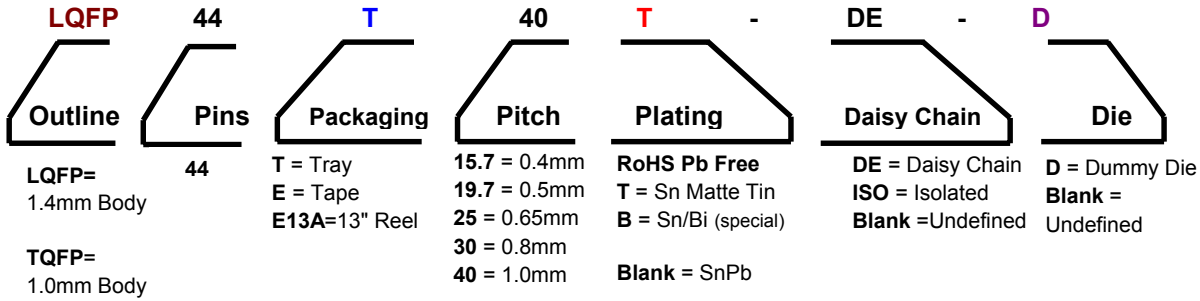


Tel 1-800-776-9888
 info@topline.tv



Dimensions = mm





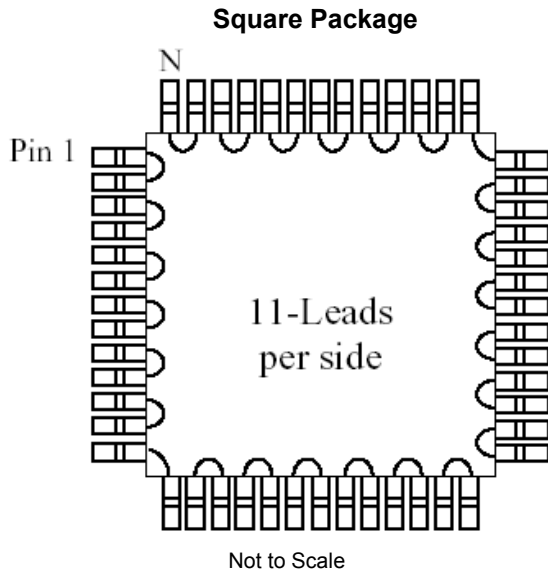
Ordering Steps:

- Step 1: Select outline body thickness TQFP (1.0mm) or LQFP (1.4mm).
- Step 2: Choose packaging. Tray is standard. Tape and Reel is available.
- Step 3: Select plating requirements. RoHS Pb-Free or SnPb
- Step 4: Select options according to your application. See chart below.

Part Number Packaged in Tray (Standard)	Options				Applications					
	Plating	Daisy Chain	Dummy Die	Isolated Pins	Mounting Practice	Rework Solder Practice	Reflow Temperature Profiling	Continuity Test	Life Cycle Test	S.I.R. Test
LQFP44T40	SnPb	No	No	No	x	x				
LQFP44T40T	Pb-Free	No	No	No	x	x				
LQFP44T40-DE-D	SnPb	Yes	Yes	No	x	x	x	x	x	
LQFP44T40T-DE-D	Pb-Free	Yes	Yes	No	x	x	x	x	x	
LQFP44T40-ISO	SnPb	No	No	Yes	x	x	x			x
LQFP44T40T-ISO	Pb-Free	No	No	Yes	x	x	x			x

Part Number Packaged in Tape and Reel	Options				Applications					
	Plating	Daisy Chain	Dummy Die	Isolated Pins	Mounting Practice	Rework Solder Practice	Reflow Temperature Profiling	Continuity Test	Life Cycle Test	S.I.R. Test
LQFP44E13A40	SnPb	No	No	No	x	x				
LQFP44E13A40T	Pb-Free	No	No	No	x	x				
LQFP44E13A40-DE-D	SnPb	Yes	Yes	No	x	x	x	x	x	
LQFP44E13A40T-DE-D	Pb-Free	Yes	Yes	No	x	x	x	x	x	
LQFP44E13A40-ISO	SnPb	No	No	Yes	x	x	x			x
LQFP44E13A40T-ISO	Pb-Free	No	No	Yes	x	x	x			x

Visit www.TopLine.tv or email info@TopLine.tv for applications assistance.



Daisy Chain Net List TQFP44, LQFP44 and QFP44

Net List	
From Pin	To Pin
1	2
3	4
5	6
7	8
9	10
11	12
13	14
15	16
17	18
19	20
21	22
23	24
25	26
27	28
29	30
31	32
33	34
35	36
37	38
39	40
41	42
43	44

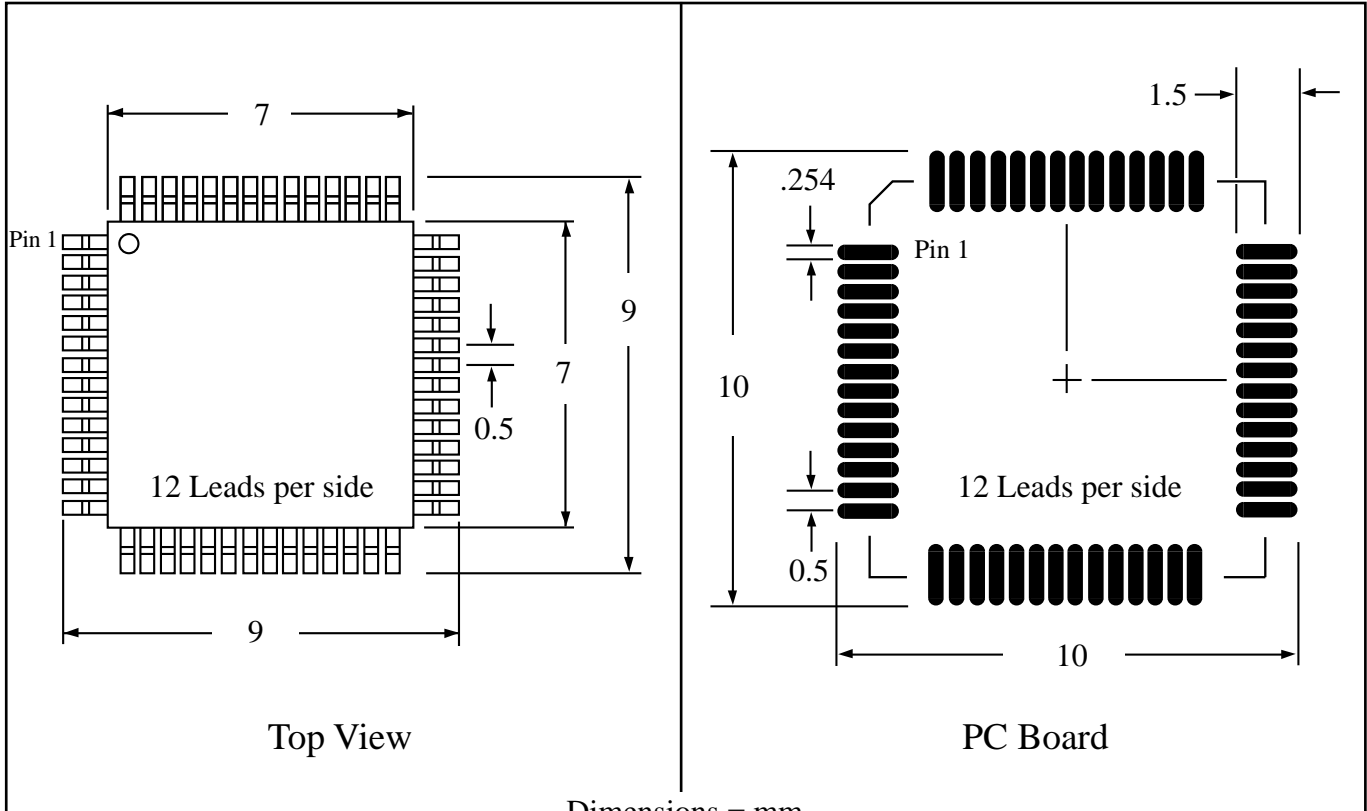
Visit www.TopLine.tv or email info@TopLine.tv for applications assistance.

Part # **LQFP48T19.7**
 Leads **48** Pitch **0.5mm**
 Body Size **7 mm SQ**

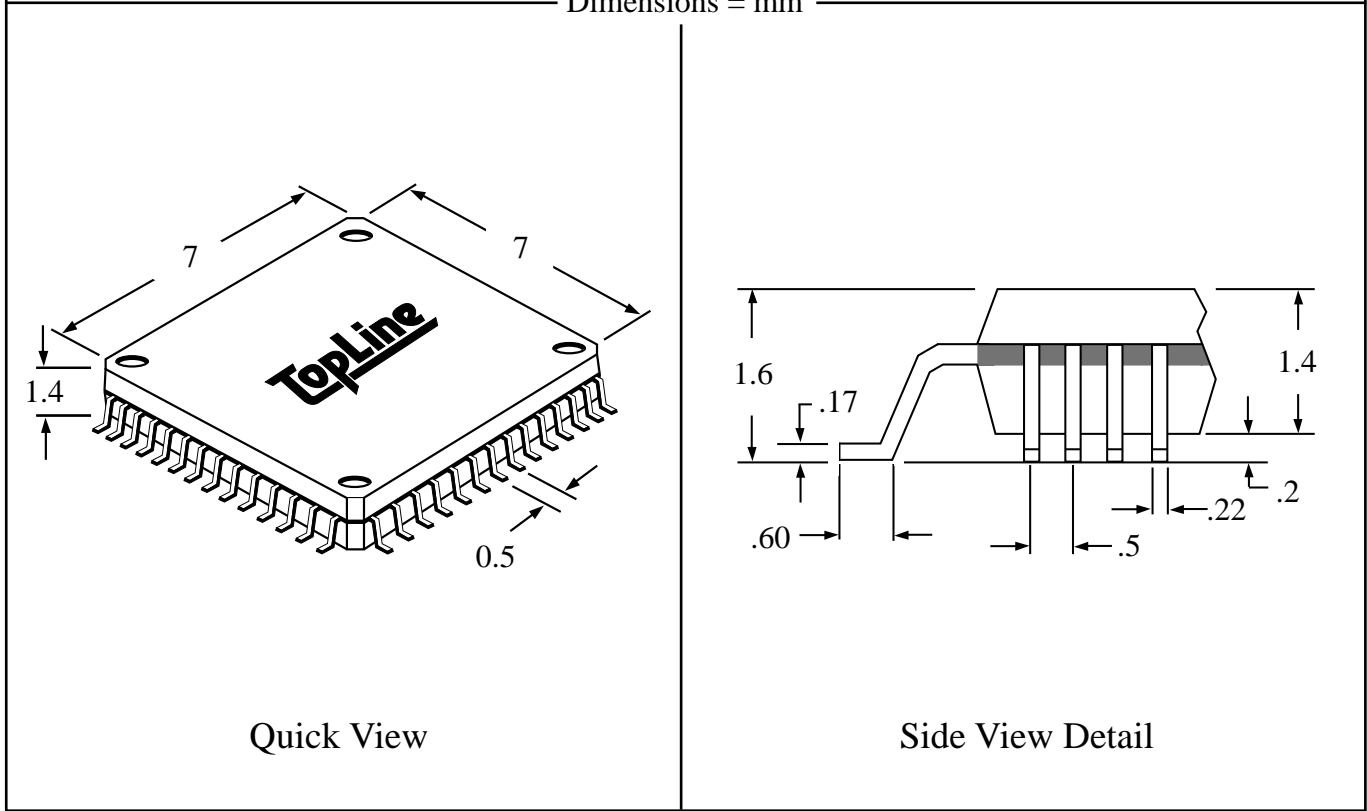
Available RoHS Pb-Free



Tel 1-800-776-9888
 info@topline.tv



Dimensions = mm



LQFP 	48 	T 	19.7 	T - 	DE - 	D
Outline LQFP= 1.4mm Body TQFP= 1.0mm Body	Pins 48	Packaging T = Tray E = Tape E13A=13" Reel	Pitch 15.7 = 0.4mm 19.7 = 0.5mm 25 = 0.65mm 30 = 0.8mm 40 = 1.0mm	Plating RoHS Pb Free T = Sn Matte Tin B = Sn/Bi (special) Blank = SnPb	Daisy Chain DE = Daisy Chain ISO = Isolated Blank = Undefined	Die D = Dummy Die Blank = Undefined

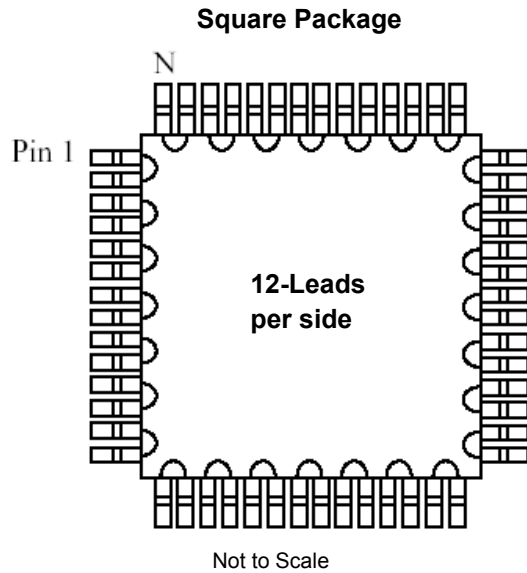
Ordering Steps:

- Step 1: Select outline body thickness TQFP (1.0mm) or LQFP (1.4mm).
- Step 2: Choose packaging. Tray is standard. Tape and Reel is available.
- Step 3: Select plating requirements. RoHS Pb-Free or SnPb
- Step 4: Select options according to your application. See chart below.

Part Number Packaged in Tray (Standard)	Options				Applications					
	Plating	Daisy Chain	Dummy Die	Isolated Pins	Mounting Practice	Rework Solder Practice	Reflow Temperature Profiling	Continuity Test	Life Cycle Test	S.I.R. Test
LQFP48T19.7	SnPb	No	No	No	x	x				
LQFP48T19.7T	Pb-Free	No	No	No	x	x				
LQFP48T19.7-DE-D	SnPb	Yes	Yes	No	x	x	x	x	x	
LQFP48T19.7T-DE-D	Pb-Free	Yes	Yes	No	x	x	x	x	x	
LQFP48T19.7-ISO	SnPb	No	No	Yes	x	x	x			x
LQFP48T19.7T-ISO	Pb-Free	No	No	Yes	x	x	x			x

Part Number Packaged in Tape and Reel	Options				Applications					
	Plating	Daisy Chain	Dummy Die	Isolated Pins	Mounting Practice	Rework Solder Practice	Reflow Temperature Profiling	Continuity Test	Life Cycle Test	S.I.R. Test
LQFP48E13A19.7	SnPb	No	No	No	x	x				
LQFP48E13A19.7T	Pb-Free	No	No	No	x	x				
LQFP48E13A19.7-DE-D	SnPb	Yes	Yes	No	x	x	x	x	x	
LQFP48E13A19.7T-DE-D	Pb-Free	Yes	Yes	No	x	x	x	x	x	
LQFP48E13A19.7-ISO	SnPb	No	No	Yes	x	x	x			x
LQFP48E13A19.7T-ISO	Pb-Free	No	No	Yes	x	x	x			x

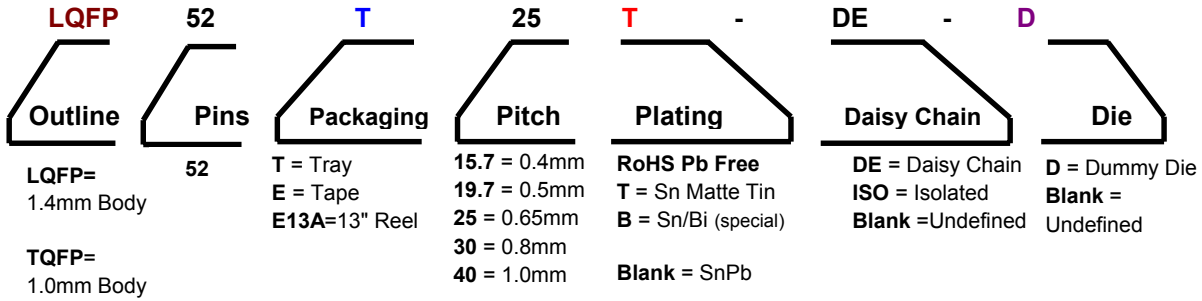
Visit www.TopLine.tv or email info@TopLine.tv for applications assistance.



Daisy Chain Net List TQFP48 and LQFP48

Net List	
From Pin	To Pin
1	2
3	4
5	6
7	8
9	10
11	12
13	14
15	16
17	18
19	20
21	22
23	24
25	26
27	28
29	30
31	32
33	34
35	36
37	38
39	40
41	42
43	44
45	46
47	48

Visit www.TopLine.tv or email info@TopLine.tv for applications assistance.



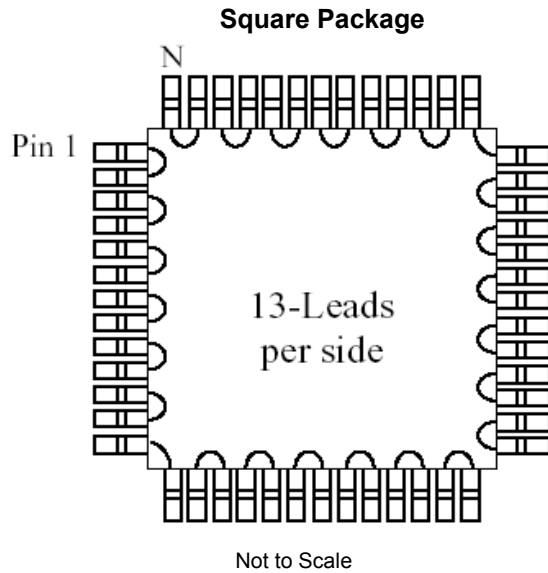
Ordering Steps:

- Step 1: Select outline body thickness TQFP (1.0mm) or LQFP (1.4mm).
- Step 2: Choose packaging. Tray is standard. Tape and Reel is available.
- Step 3: Select plating requirements. RoHS Pb-Free or SnPb
- Step 4: Select options according to your application. See chart below.

Part Number Packaged in Tray (Standard)	Options				Applications					
	Plating	Daisy Chain	Dummy Die	Isolated Pins	Mounting Practice	Rework Solder Practice	Reflow Temperature Profiling	Continuity Test	Life Cycle Test	S.I.R. Test
LQFP52T25	SnPb	No	No	No	x	x				
LQFP52T25T	Pb-Free	No	No	No	x	x				
LQFP52T25-DE-D	SnPb	Yes	Yes	No	x	x	x	x	x	
LQFP52T25T-DE-D	Pb-Free	Yes	Yes	No	x	x	x	x	x	
LQFP52T25-ISO	SnPb	No	No	Yes	x	x	x			x
LQFP52T25T-ISO	Pb-Free	No	No	Yes	x	x	x			x

Part Number Packaged in Tape and Reel	Options				Applications					
	Plating	Daisy Chain	Dummy Die	Isolated Pins	Mounting Practice	Rework Solder Practice	Reflow Temperature Profiling	Continuity Test	Life Cycle Test	S.I.R. Test
LQFP52E13A25	SnPb	No	No	No	x	x				
LQFP52E13A25T	Pb-Free	No	No	No	x	x				
LQFP52E13A25-DE-D	SnPb	Yes	Yes	No	x	x	x	x	x	
LQFP52E13A25T-DE-D	Pb-Free	Yes	Yes	No	x	x	x	x	x	
LQFP52E13A25-ISO	SnPb	No	No	Yes	x	x	x			x
LQFP52E13A25T-ISO	Pb-Free	No	No	Yes	x	x	x			x

Visit www.TopLine.tv or email info@TopLine.tv for applications assistance.



Daisy Chain Net List TQFP52, LQFP52 and QFP52

Net List	
From Pin	To Pin
1	2
3	4
5	6
7	8
9	10
11	12
13	14
15	16
17	18
19	20
21	22
23	24
25	26
27	28
29	30
31	32
33	34
35	36
37	38
39	40
41	42
43	44
45	46
47	48
49	50
51	52

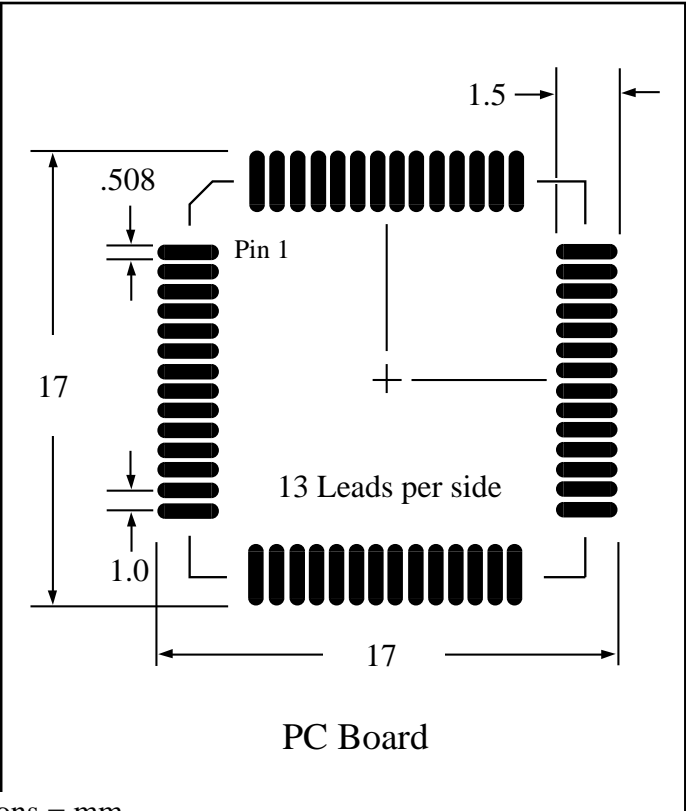
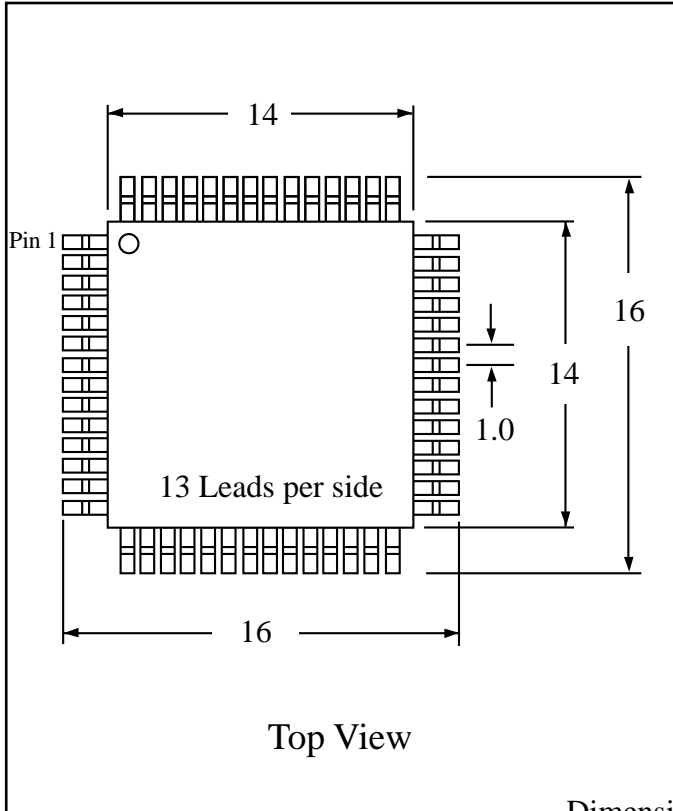
Visit www.TopLine.tv or email info@TopLine.tv for applications assistance.

Part # **LQFP52T40**
 Leads **52** Pitch **1.0mm**
 Body Size **14mm SQ**

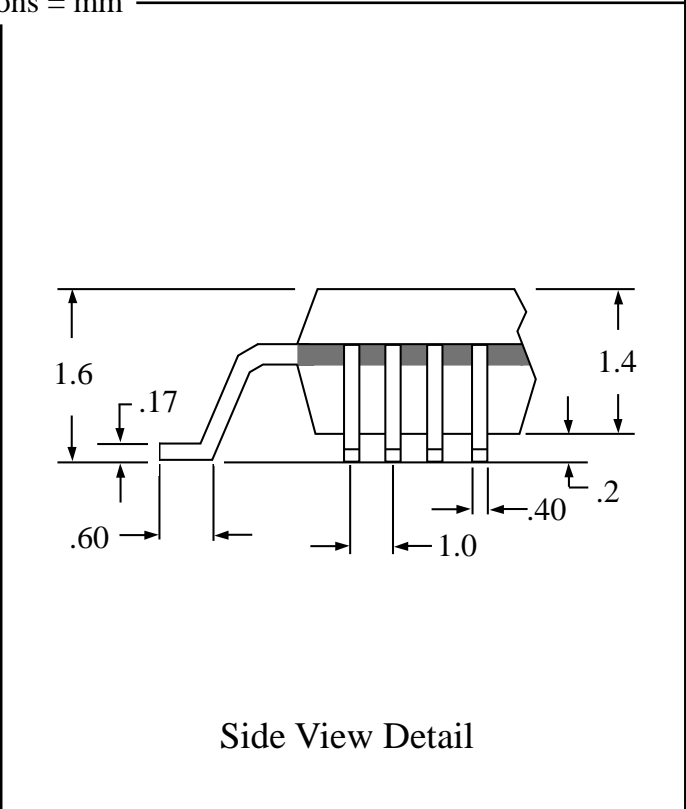
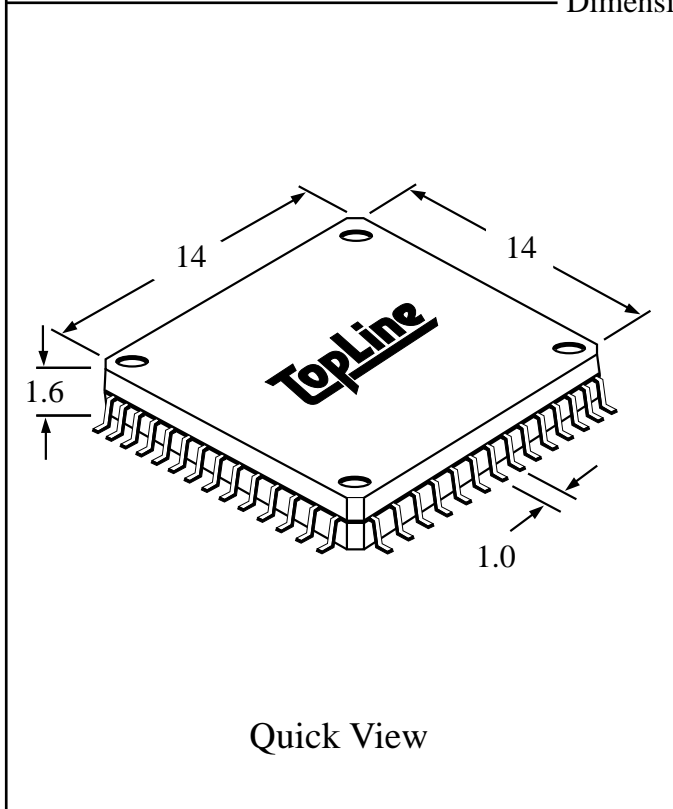
Available RoHS Pb-Free



Tel 1-800-776-9888
 info@topline.tv



Dimensions = mm



LQFP	52	T	40	T -	DE -	D
Outline	Pins	Packaging	Pitch	Plating	Daisy Chain	Die
LQFP= 1.4mm Body	52	T = Tray E = Tape E13A=13" Reel	15.7 = 0.4mm 19.7 = 0.5mm 25 = 0.65mm 30 = 0.8mm 40 = 1.0mm	RoHS Pb Free T = Sn Matte Tin B = Sn/Bi (special) Blank = SnPb	DE = Daisy Chain ISO = Isolated Blank = Undefined	D = Dummy Die Blank = Undefined
TQFP= 1.0mm Body						

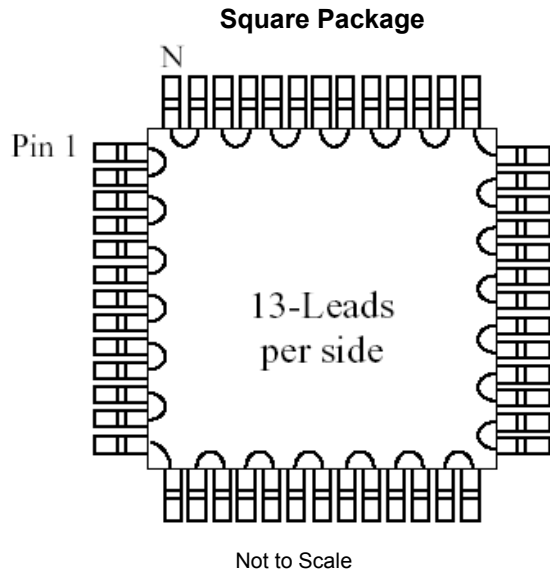
Ordering Steps:

- Step 1: Select outline body thickness TQFP (1.0mm) or LQFP (1.4mm).
- Step 2: Choose packaging. Tray is standard. Tape and Reel is available.
- Step 3: Select plating requirements. RoHS Pb-Free or SnPb
- Step 4: Select options according to your application. See chart below.

Part Number Packaged in Tray (Standard)	Options				Applications					
	Plating	Daisy Chain	Dummy Die	Isolated Pins	Mounting Practice	Rework Solder Practice	Reflow Temperature Profiling	Continuity Test	Life Cycle Test	S.I.R. Test
LQFP52T40	SnPb	No	No	No	x	x				
LQFP52T40T	Pb-Free	No	No	No	x	x				
LQFP52T40-DE-D	SnPb	Yes	Yes	No	x	x	x	x	x	
LQFP52T40T-DE-D	Pb-Free	Yes	Yes	No	x	x	x	x	x	
LQFP52T40-ISO	SnPb	No	No	Yes	x	x	x			x
LQFP52T40T-ISO	Pb-Free	No	No	Yes	x	x	x			x

Part Number Packaged in Tape and Reel	Options				Applications					
	Plating	Daisy Chain	Dummy Die	Isolated Pins	Mounting Practice	Rework Solder Practice	Reflow Temperature Profiling	Continuity Test	Life Cycle Test	S.I.R. Test
LQFP52E13A40	SnPb	No	No	No	x	x				
LQFP52E13A40T	Pb-Free	No	No	No	x	x				
LQFP52E13A40-DE-D	SnPb	Yes	Yes	No	x	x	x	x	x	
LQFP52E13A40T-DE-D	Pb-Free	Yes	Yes	No	x	x	x	x	x	
LQFP52E13A40-ISO	SnPb	No	No	Yes	x	x	x			x
LQFP52E13A40T-ISO	Pb-Free	No	No	Yes	x	x	x			x

Visit www.TopLine.tv or email info@TopLine.tv for applications assistance.



Daisy Chain Net List TQFP52, LQFP52 and QFP52

Net List	
From Pin	To Pin
1	2
3	4
5	6
7	8
9	10
11	12
13	14
15	16
17	18
19	20
21	22
23	24
25	26
27	28
29	30
31	32
33	34
35	36
37	38
39	40
41	42
43	44
45	46
47	48
49	50
51	52

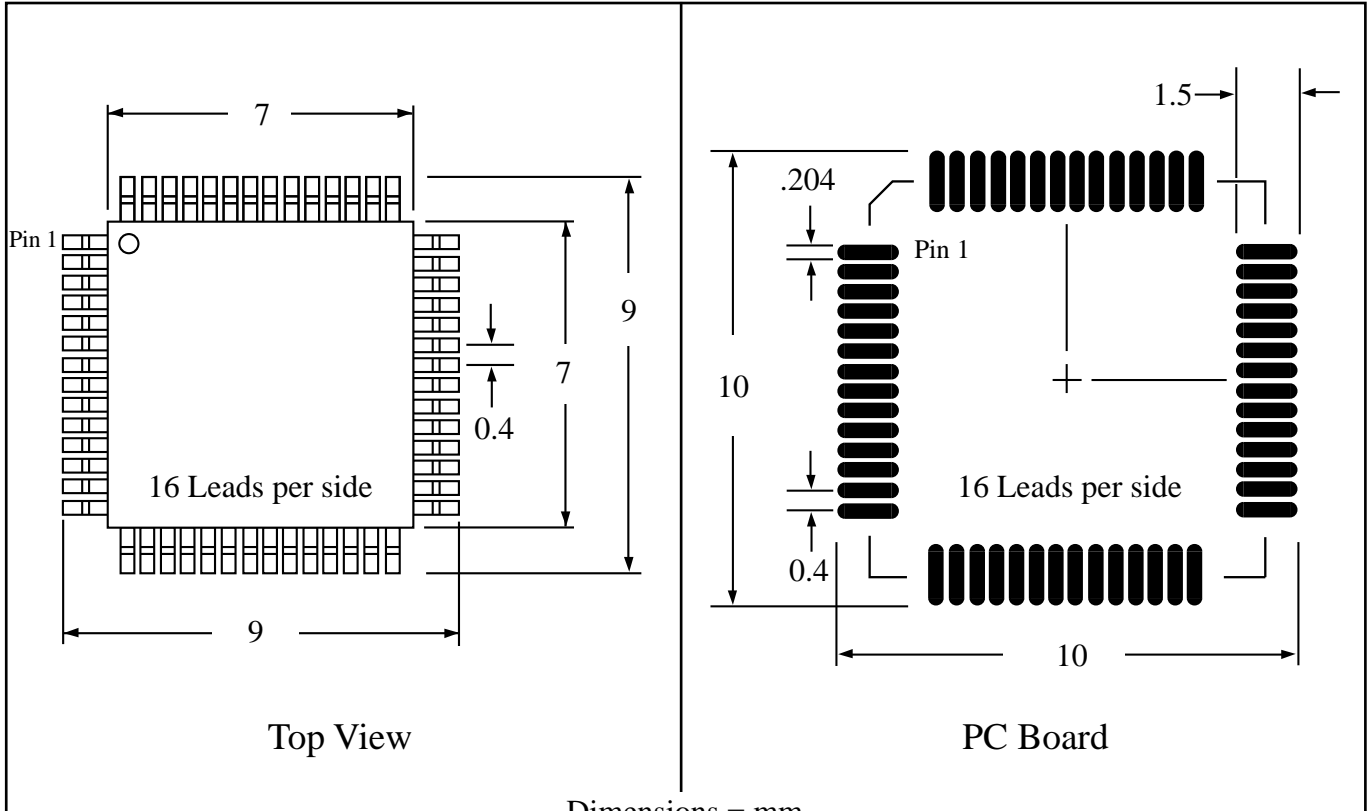
Visit www.TopLine.tv or email info@TopLine.tv for applications assistance.

Part # **LQFP64T15.7**
 Leads **64** Pitch **0.4mm**
 Body Size **7mm SQ**

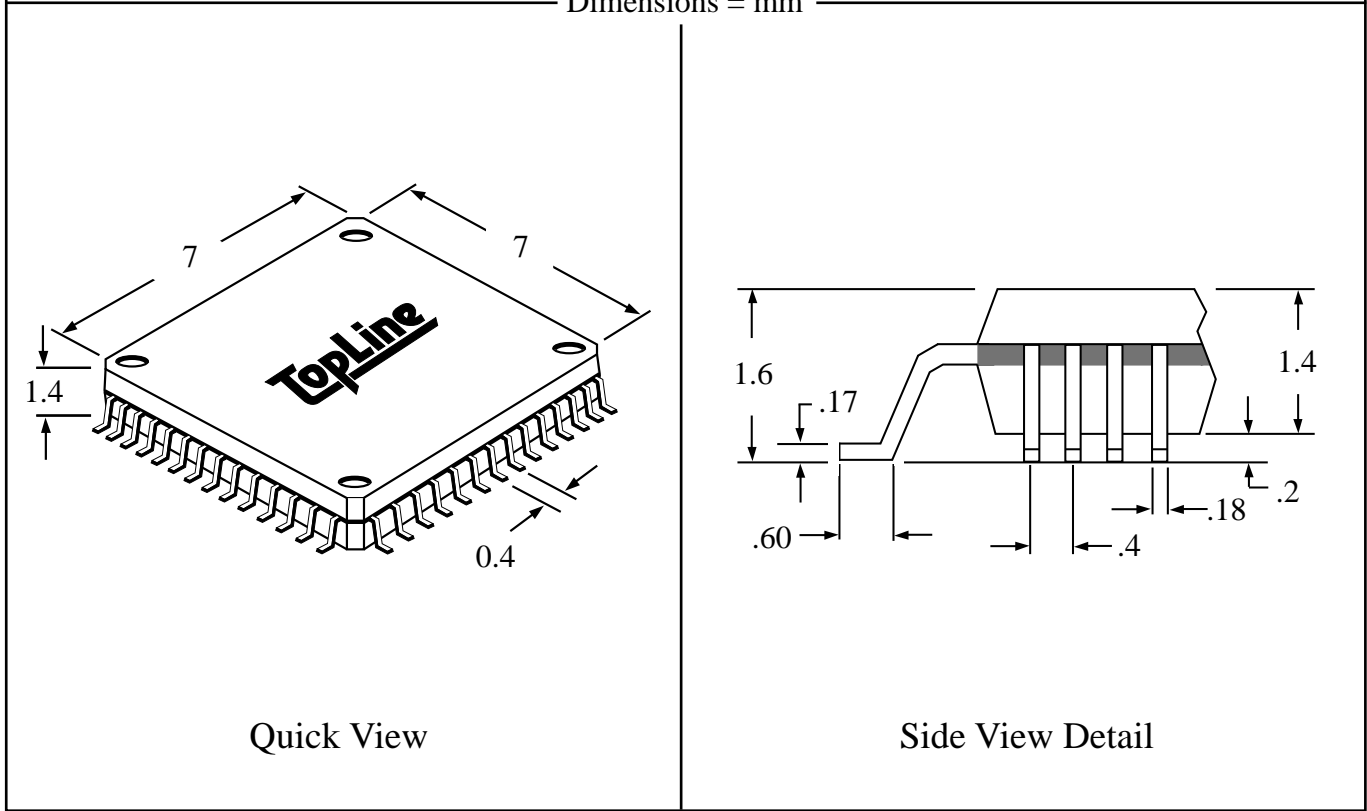
Available RoHS Pb-Free

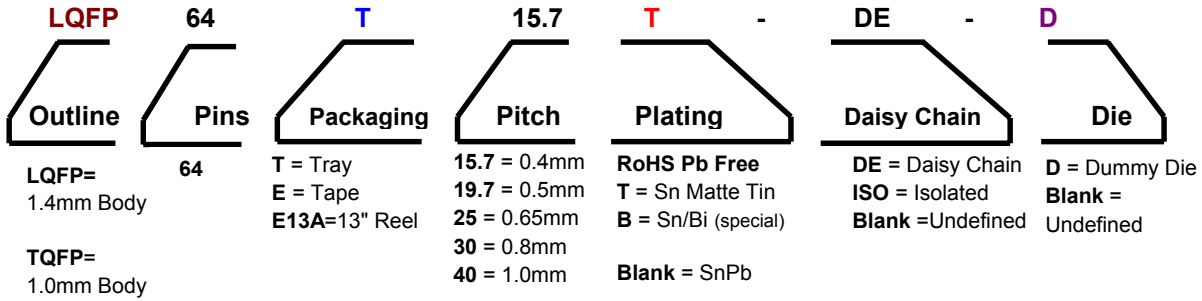


Tel 1-800-776-9888
 info@topline.tv



Dimensions = mm





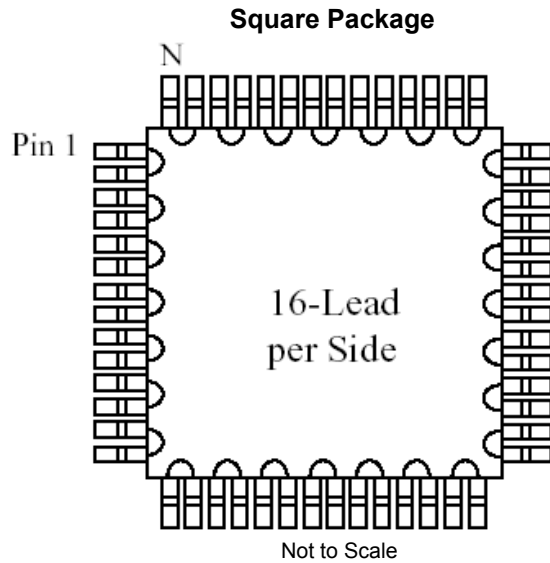
Ordering Steps:

- Step 1: Select outline body thickness TQFP (1.0mm) or LQFP (1.4mm).
- Step 2: Choose packaging. Tray is standard. Tape and Reel is available.
- Step 3: Select plating requirements. RoHS Pb-Free or SnPb
- Step 4: Select options according to your application. See chart below.

Part Number Packaged in Tray (Standard)	Options				Applications					
	Plating	Daisy Chain	Dummy Die	Isolated Pins	Mounting Practice	Rework Solder Practice	Reflow Temperature Profiling	Continuity Test	Life Cycle Test	S.I.R. Test
LQFP64T15.7	SnPb	No	No	No	x	x				
LQFP64T15.7T	Pb-Free	No	No	No	x	x				
LQFP64T15.7-DE-D	SnPb	Yes	Yes	No	x	x	x	x	x	
LQFP64T15.7T-DE-D	Pb-Free	Yes	Yes	No	x	x	x	x	x	
LQFP64T15.7-ISO	SnPb	No	No	Yes	x	x	x			x
LQFP64T15.7T-ISO	Pb-Free	No	No	Yes	x	x	x			x

Part Number Packaged in Tape and Reel	Options				Applications					
	Plating	Daisy Chain	Dummy Die	Isolated Pins	Mounting Practice	Rework Solder Practice	Reflow Temperature Profiling	Continuity Test	Life Cycle Test	S.I.R. Test
LQFP64E13A15.7	SnPb	No	No	No	x	x				
LQFP64E13A15.7T	Pb-Free	No	No	No	x	x				
LQFP64E13A15.7-DE-D	SnPb	Yes	Yes	No	x	x	x	x	x	
LQFP64E13A15.7T-DE-D	Pb-Free	Yes	Yes	No	x	x	x	x	x	
LQFP64E13A15.7-ISO	SnPb	No	No	Yes	x	x	x			x
LQFP64E13A15.7T-ISO	Pb-Free	No	No	Yes	x	x	x			x

Visit www.TopLine.tv or email info@TopLine.tv for applications assistance.



Daisy Chain Net List TQFP64, LQFP64 and QFP64

Net List		Net List	
From Pin	To Pin	From Pin	To Pin
1	2	33	34
3	4	35	36
5	6	37	38
7	8	39	40
9	10	41	42
11	12	43	44
13	14	45	46
15	16	47	48
17	18	49	50
19	20	51	52
21	22	53	54
23	24	55	56
25	26	57	58
27	28	59	60
29	30	61	62
31	32	63	64

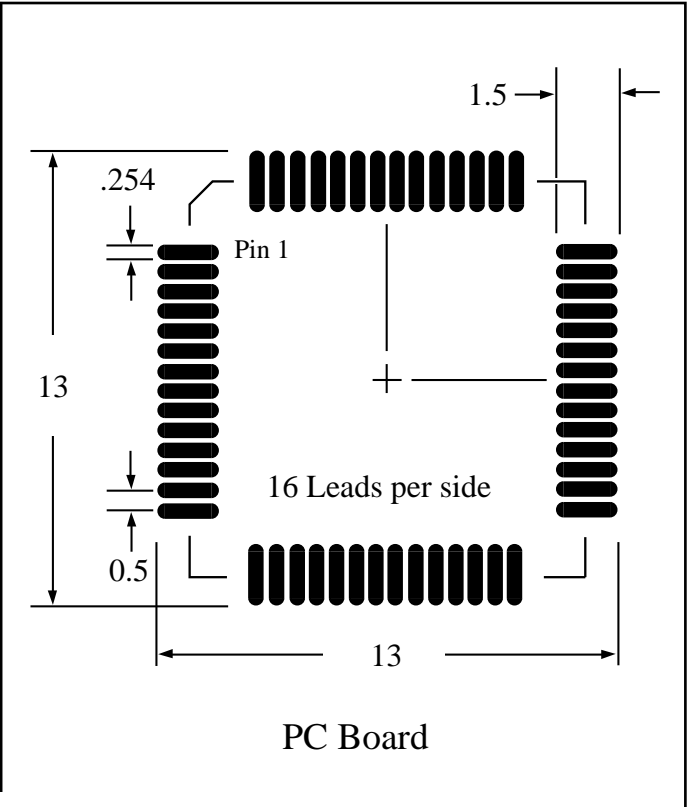
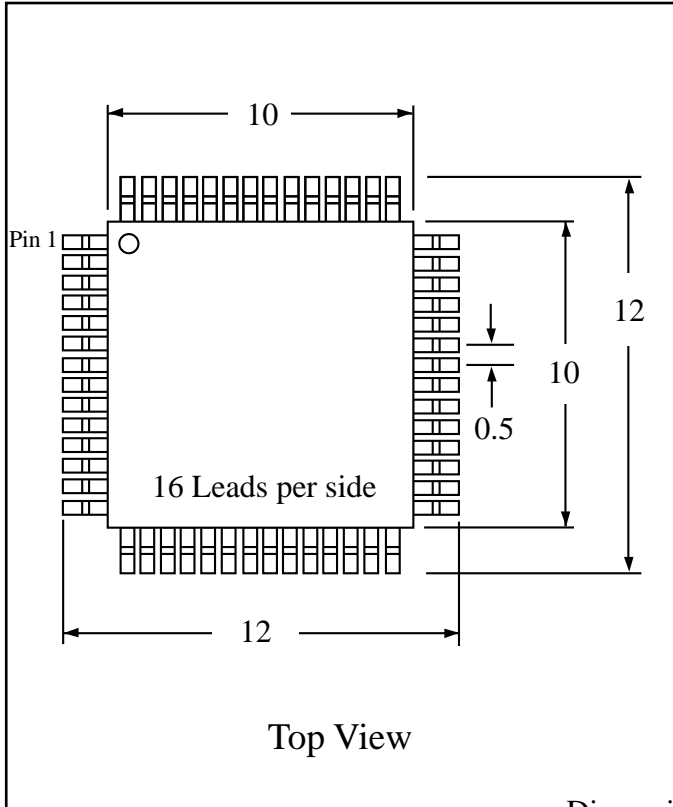
Visit www.TopLine.tv or email info@TopLine.tv for applications assistance.

Part # **LQFP64T19.7**
 Leads **64** Pitch **0.5mm**
 Body Size **10mm SQ**

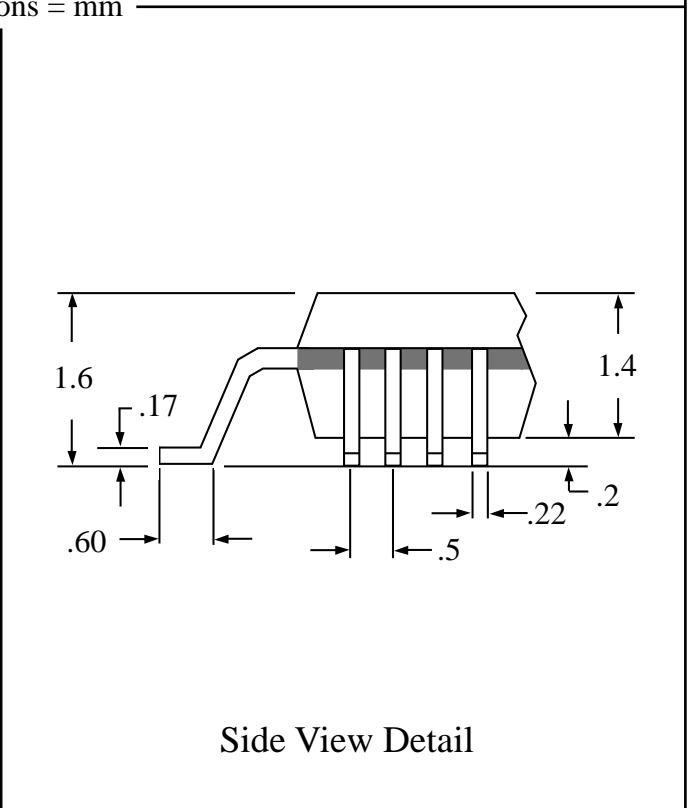
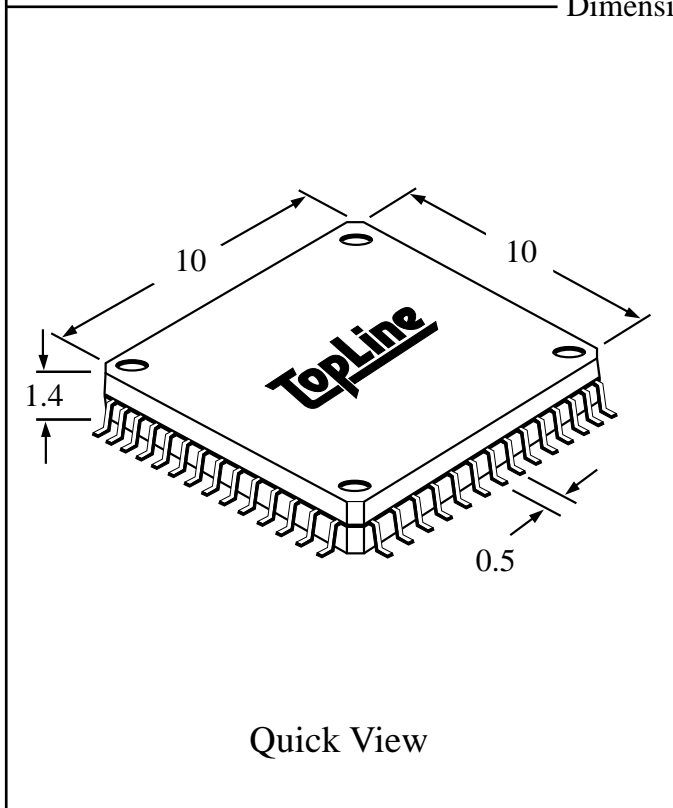
Available RoHS Pb-Free.

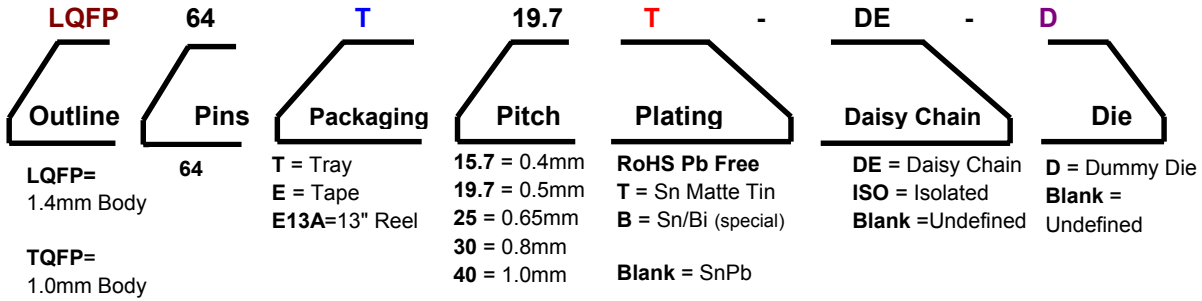


Tel 1-800-776-9888
 info@topline.tv



Dimensions = mm





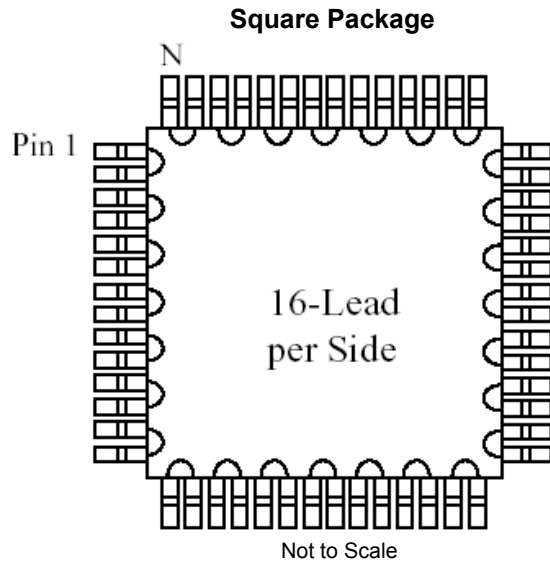
Ordering Steps:

- Step 1: Select outline body thickness TQFP (1.0mm) or LQFP (1.4mm).
- Step 2: Choose packaging. Tray is standard. Tape and Reel is available.
- Step 3: Select plating requirements. RoHS Pb-Free or SnPb
- Step 4: Select options according to your application. See chart below.

Part Number Packaged in Tray (Standard)	Options				Applications					
	Plating	Daisy Chain	Dummy Die	Isolated Pins	Mounting Practice	Rework Solder Practice	Reflow Temperature Profiling	Continuity Test	Life Cycle Test	S.I.R. Test
LQFP64T19.7	SnPb	No	No	No	x	x				
LQFP64T19.7T	Pb-Free	No	No	No	x	x				
LQFP64T19.7-DE-D	SnPb	Yes	Yes	No	x	x	x	x	x	
LQFP64T19.7T-DE-D	Pb-Free	Yes	Yes	No	x	x	x	x	x	
LQFP64T19.7-ISO	SnPb	No	No	Yes	x	x	x			x
LQFP64T19.7T-ISO	Pb-Free	No	No	Yes	x	x	x			x

Part Number Packaged in Tape and Reel	Options				Applications					
	Plating	Daisy Chain	Dummy Die	Isolated Pins	Mounting Practice	Rework Solder Practice	Reflow Temperature Profiling	Continuity Test	Life Cycle Test	S.I.R. Test
LQFP64E13A19.7	SnPb	No	No	No	x	x				
LQFP64E13A19.7T	Pb-Free	No	No	No	x	x				
LQFP64E13A19.7-DE-D	SnPb	Yes	Yes	No	x	x	x	x	x	
LQFP64E13A19.7T-DE-D	Pb-Free	Yes	Yes	No	x	x	x	x	x	
LQFP64E13A19.7-ISO	SnPb	No	No	Yes	x	x	x			x
LQFP64E13A19.7T-ISO	Pb-Free	No	No	Yes	x	x	x			x

Visit www.TopLine.tv or email info@TopLine.tv for applications assistance.



Daisy Chain Net List TQFP64, LQFP64 and QFP64

Net List		Net List	
From Pin	To Pin	From Pin	To Pin
1	2	33	34
3	4	35	36
5	6	37	38
7	8	39	40
9	10	41	42
11	12	43	44
13	14	45	46
15	16	47	48
17	18	49	50
19	20	51	52
21	22	53	54
23	24	55	56
25	26	57	58
27	28	59	60
29	30	61	62
31	32	63	64

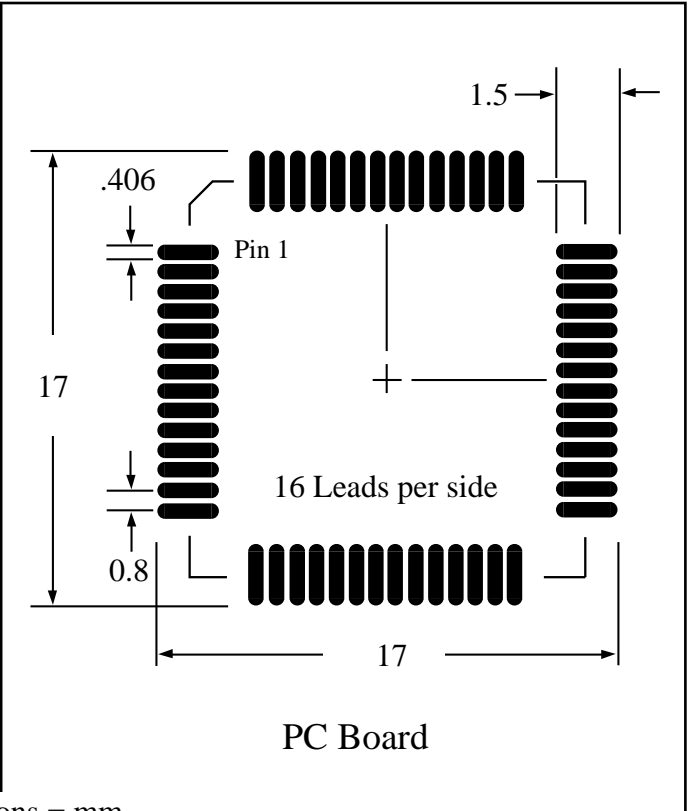
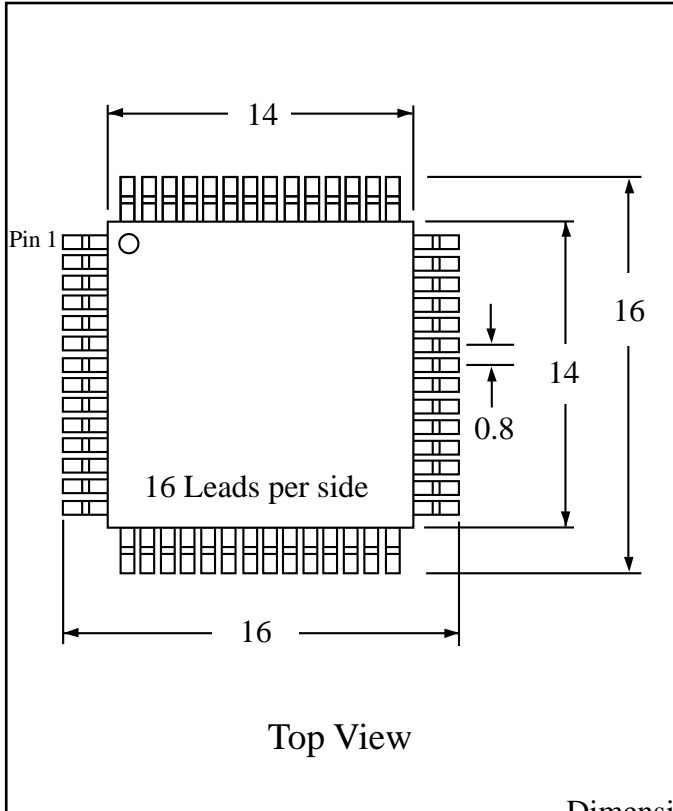
Visit www.TopLine.tv or email info@TopLine.tv for applications assistance.

Part # **LQFP64T30**
 Leads **64** Pitch **0.8mm**
 Body Size **14mm SQ**

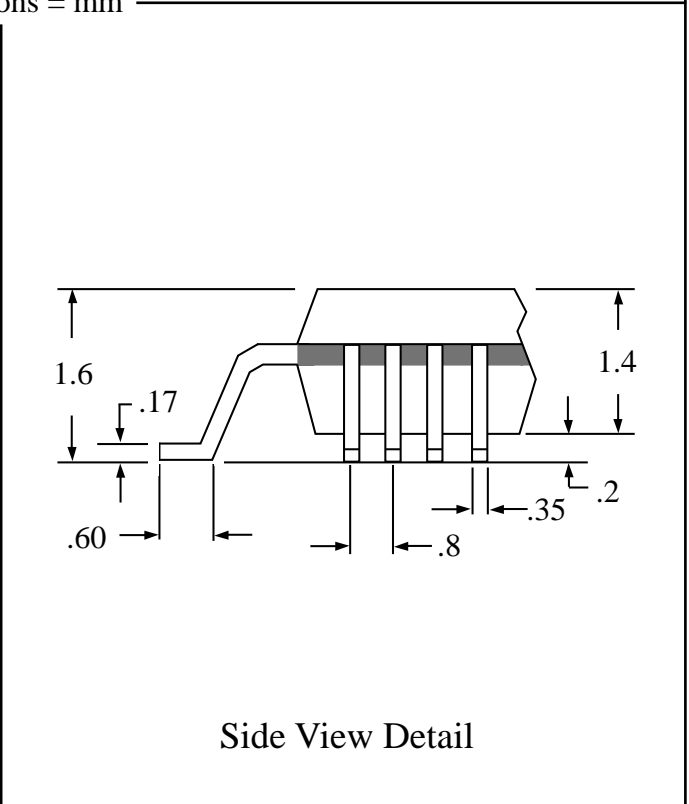
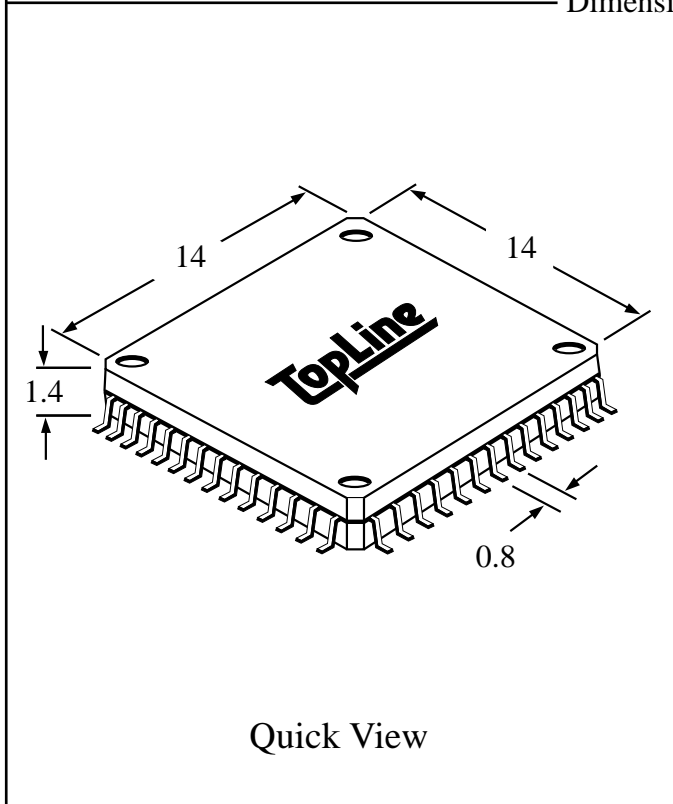


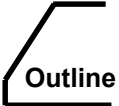
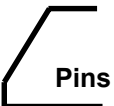

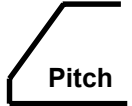


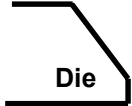
Tel 1-800-766-9888
 info@topline.tv

Dwg Available RoHS Pb-Free



Dimensions = mm



LQFP	64	T	30	T -	DE -	D
						
Outline	Pins	Packaging	Pitch	Plating	Daisy Chain	Die
LQFP= 1.4mm Body	64	T = Tray E = Tape E13A=13" Reel	15.7 = 0.4mm 19.7 = 0.5mm 25 = 0.65mm 30 = 0.8mm 40 = 1.0mm	RoHS Pb Free T = Sn Matte Tin B = Sn/Bi (special) Blank = SnPb	DE = Daisy Chain ISO = Isolated Blank = Undefined	D = Dummy Die Blank = Undefined
TQFP= 1.0mm Body						

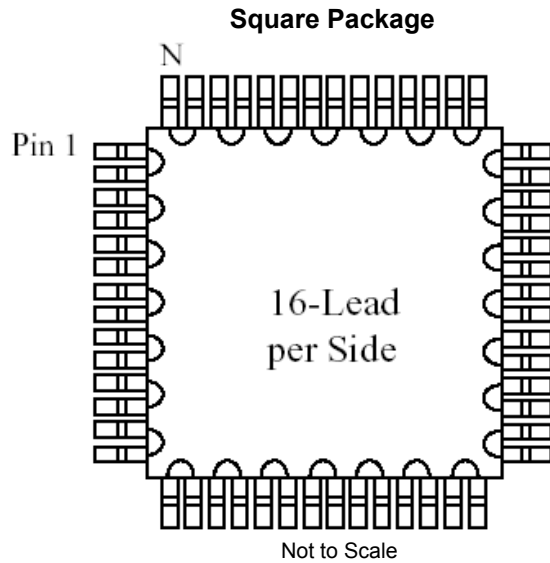
Ordering Steps:

- Step 1: Select outline body thickness TQFP (1.0mm) or LQFP (1.4mm).
- Step 2: Choose packaging. Tray is standard. Tape and Reel is available.
- Step 3: Select plating requirements. RoHS Pb-Free or SnPb
- Step 4: Select options according to your application. See chart below.

Part Number Packaged in Tray (Standard)	Options				Applications					
	Plating	Daisy Chain	Dummy Die	Isolated Pins	Mounting Practice	Rework Solder Practice	Reflow Temperature Profiling	Continuity Test	Life Cycle Test	S.I.R. Test
LQFP64T30	SnPb	No	No	No	x	x				
LQFP64T30T	Pb-Free	No	No	No	x	x				
LQFP64T30-DE-D	SnPb	Yes	Yes	No	x	x	x	x	x	
LQFP64T30T-DE-D	Pb-Free	Yes	Yes	No	x	x	x	x	x	
LQFP64T30-ISO	SnPb	No	No	Yes	x	x	x			x
LQFP64T30T-ISO	Pb-Free	No	No	Yes	x	x	x			x

Part Number Packaged in Tape and Reel	Options				Applications					
	Plating	Daisy Chain	Dummy Die	Isolated Pins	Mounting Practice	Rework Solder Practice	Reflow Temperature Profiling	Continuity Test	Life Cycle Test	S.I.R. Test
LQFP64E13A30	SnPb	No	No	No	x	x				
LQFP64E13A30T	Pb-Free	No	No	No	x	x				
LQFP64E13A30-DE-D	SnPb	Yes	Yes	No	x	x	x	x	x	
LQFP64E13A30T-DE-D	Pb-Free	Yes	Yes	No	x	x	x	x	x	
LQFP64E13A30-ISO	SnPb	No	No	Yes	x	x	x			x
LQFP64E13A30T-ISO	Pb-Free	No	No	Yes	x	x	x			x

Visit www.TopLine.tv or email info@TopLine.tv for applications assistance.



Daisy Chain Net List TQFP64, LQFP64 and QFP64

Net List		Net List	
From Pin	To Pin	From Pin	To Pin
1	2	33	34
3	4	35	36
5	6	37	38
7	8	39	40
9	10	41	42
11	12	43	44
13	14	45	46
15	16	47	48
17	18	49	50
19	20	51	52
21	22	53	54
23	24	55	56
25	26	57	58
27	28	59	60
29	30	61	62
31	32	63	64

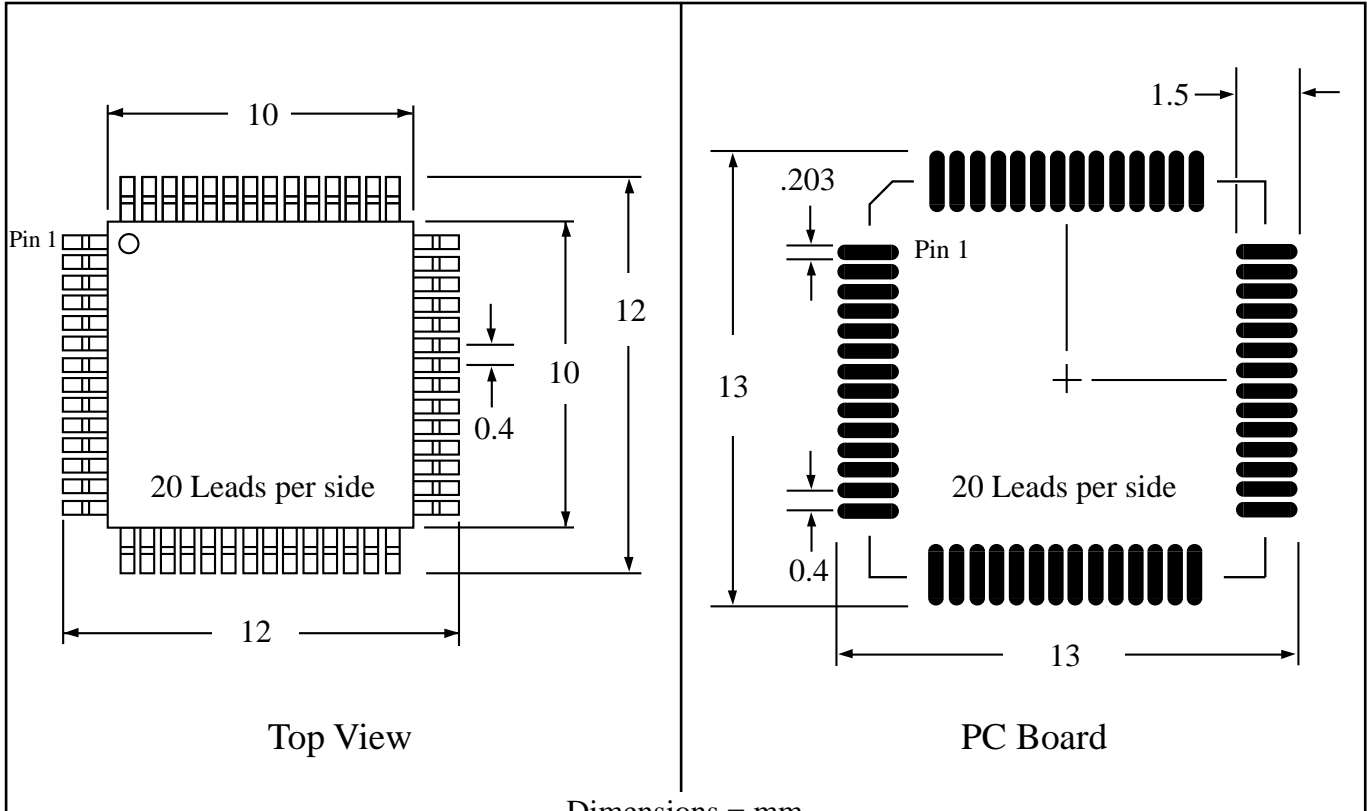
Visit www.TopLine.tv or email info@TopLine.tv for applications assistance.

Part # **LQFP80T15.7**
 Leads **80** Pitch **0.4mm**
 Body Size **10mm SQ**

Available RoHS Pb-Free

TopLineTM

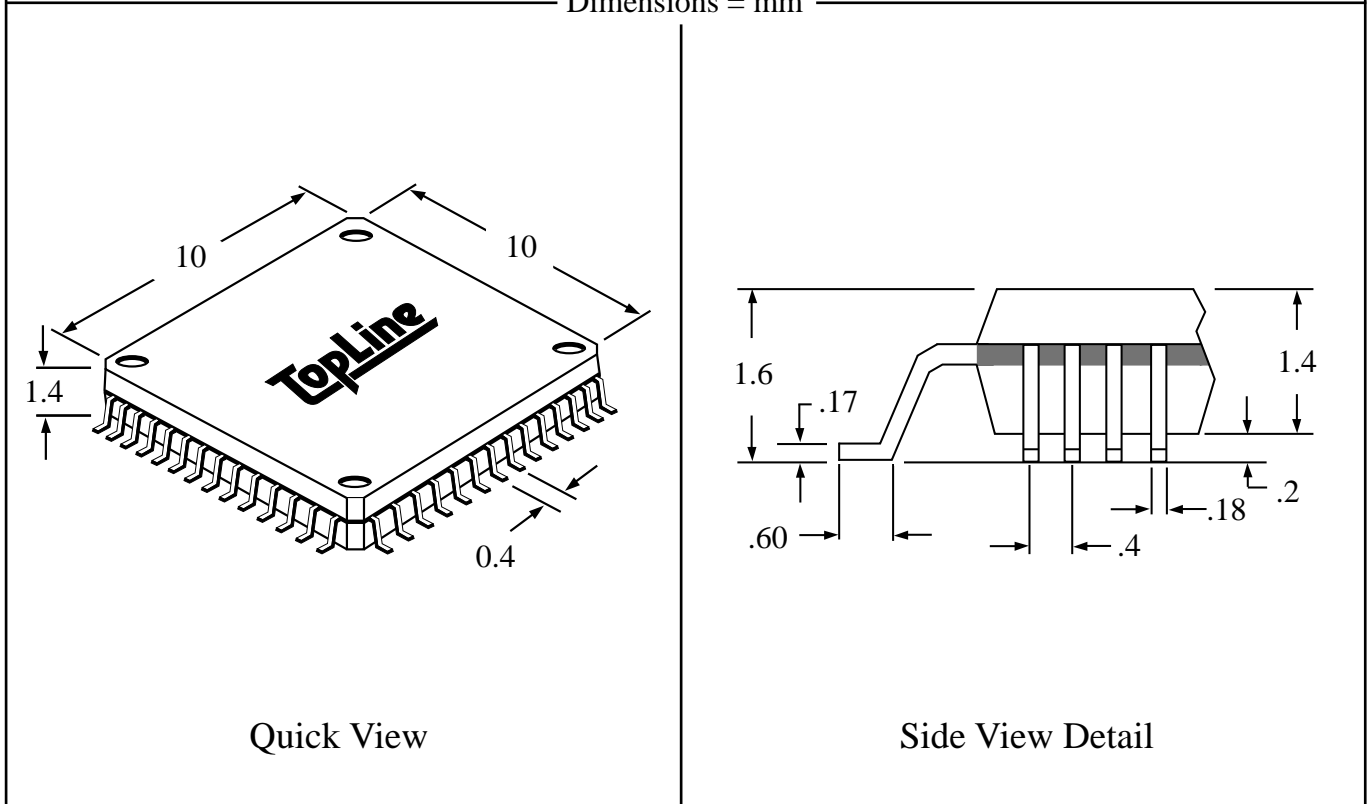
Tel 1-800-776-9888
 info@topline.tv



Top View

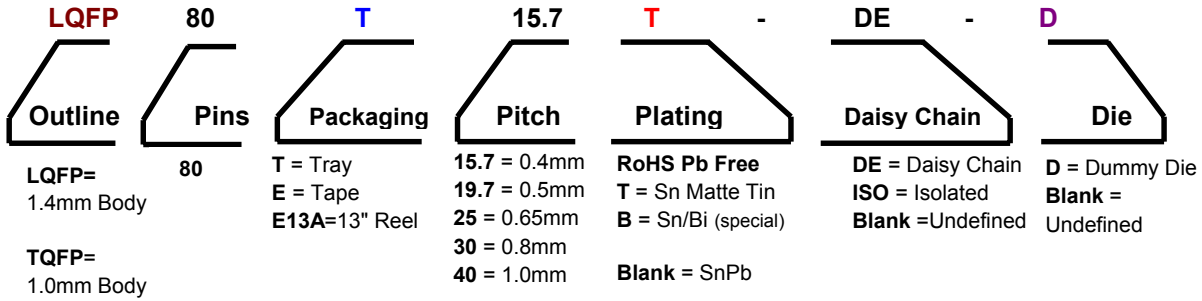
PC Board

Dimensions = mm



Quick View

Side View Detail



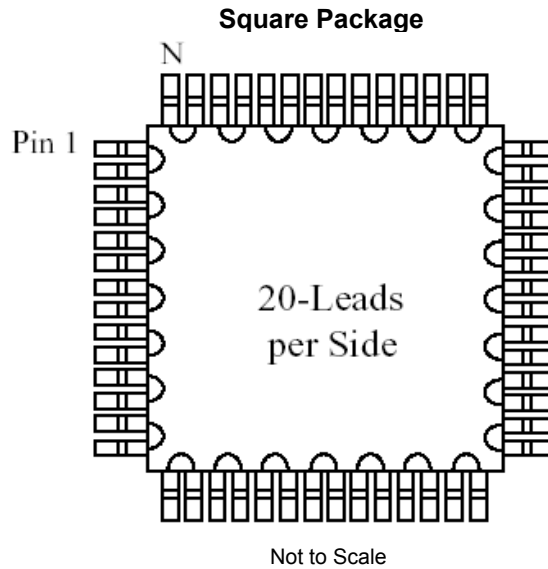
Ordering Steps:

- Step 1: Select outline body thickness TQFP (1.0mm) or LQFP (1.4mm).
- Step 2: Choose packaging. Tray is standard. Tape and Reel is available.
- Step 3: Select plating requirements. RoHS Pb-Free or SnPb
- Step 4: Select options according to your application. See chart below.

Part Number Packaged in Tray (Standard)	Options				Applications					
	Plating	Daisy Chain	Dummy Die	Isolated Pins	Mounting Practice	Rework Solder Practice	Reflow Temperature Profiling	Continuity Test	Life Cycle Test	S.I.R. Test
LQFP80T15.7	SnPb	No	No	No	x	x				
LQFP80T15.7T	Pb-Free	No	No	No	x	x				
LQFP80T15.7-DE-D	SnPb	Yes	Yes	No	x	x	x	x	x	
LQFP80T15.7T-DE-D	Pb-Free	Yes	Yes	No	x	x	x	x	x	
LQFP80T15.7-ISO	SnPb	No	No	Yes	x	x	x			x
LQFP80T15.7T-ISO	Pb-Free	No	No	Yes	x	x	x			x

Part Number Packaged in Tape and Reel	Options				Applications					
	Plating	Daisy Chain	Dummy Die	Isolated Pins	Mounting Practice	Rework Solder Practice	Reflow Temperature Profiling	Continuity Test	Life Cycle Test	S.I.R. Test
LQFP80E13A15.7	SnPb	No	No	No	x	x				
LQFP80E13A15.7T	Pb-Free	No	No	No	x	x				
LQFP80E13A15.7-DE-D	SnPb	Yes	Yes	No	x	x	x	x	x	
LQFP80E13A15.7T-DE-D	Pb-Free	Yes	Yes	No	x	x	x	x	x	
LQFP80E13A15.7-ISO	SnPb	No	No	Yes	x	x	x			x
LQFP80E13A15.7T-ISO	Pb-Free	No	No	Yes	x	x	x			x

Visit www.TopLine.tv or email info@TopLine.tv for applications assistance.



Daisy Chain Net List TQFP80, LQFP80 and QFP80

Net List		Net List	
From Pin	To Pin	From Pin	To Pin
1	2	41	42
3	4	43	44
5	6	45	46
7	8	47	48
9	10	49	50
11	12	51	52
13	14	53	54
15	16	55	56
17	18	57	58
19	20	59	60
21	22	61	62
23	24	63	64
25	26	65	66
27	28	67	68
29	30	69	70
31	32	71	72
33	34	73	74
35	36	75	76
37	38	77	78
39	40	79	80

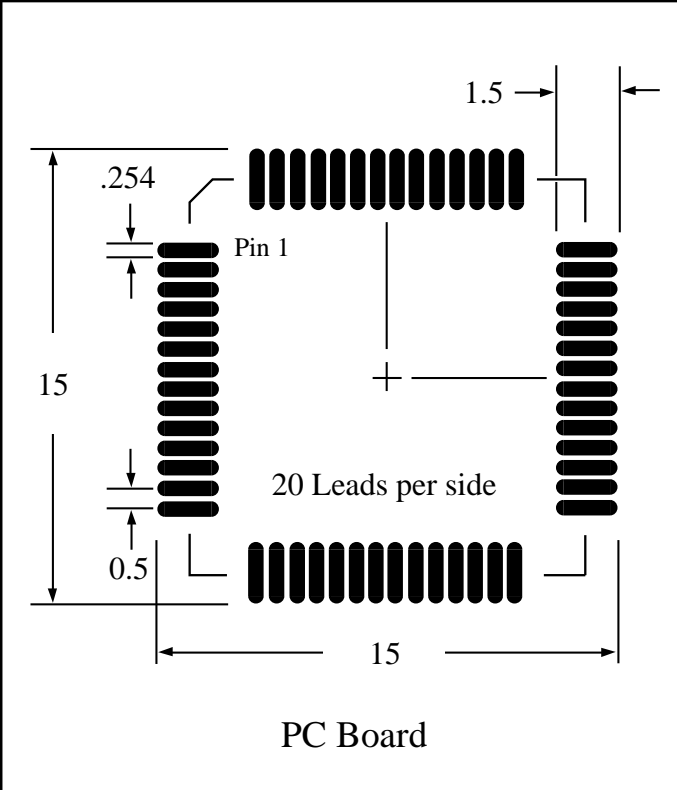
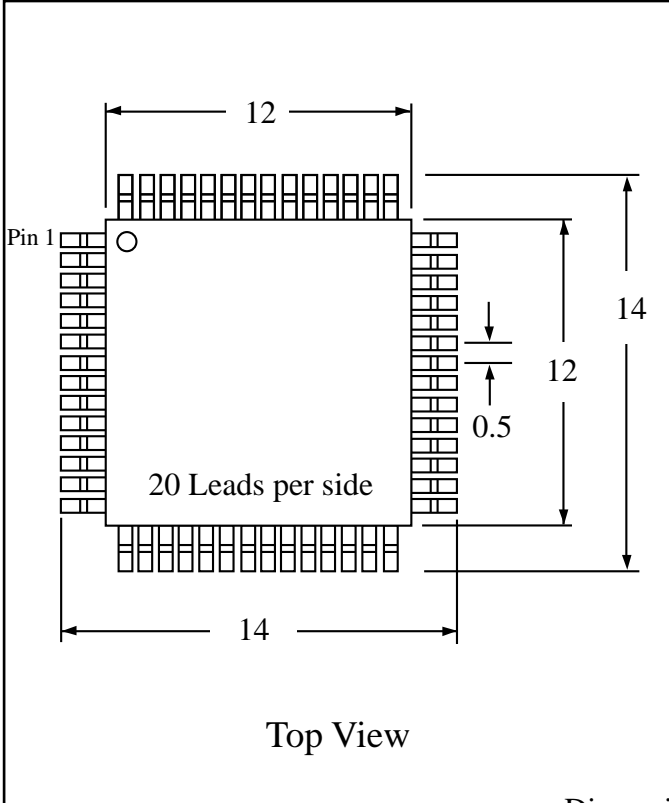
Visit www.TopLine.tv or email info@TopLine.tv for applications assistance.

Part # **LQFP80T19.7**
 Leads **80** Pitch **0.5mm**
 Body Size **12mm SQ**

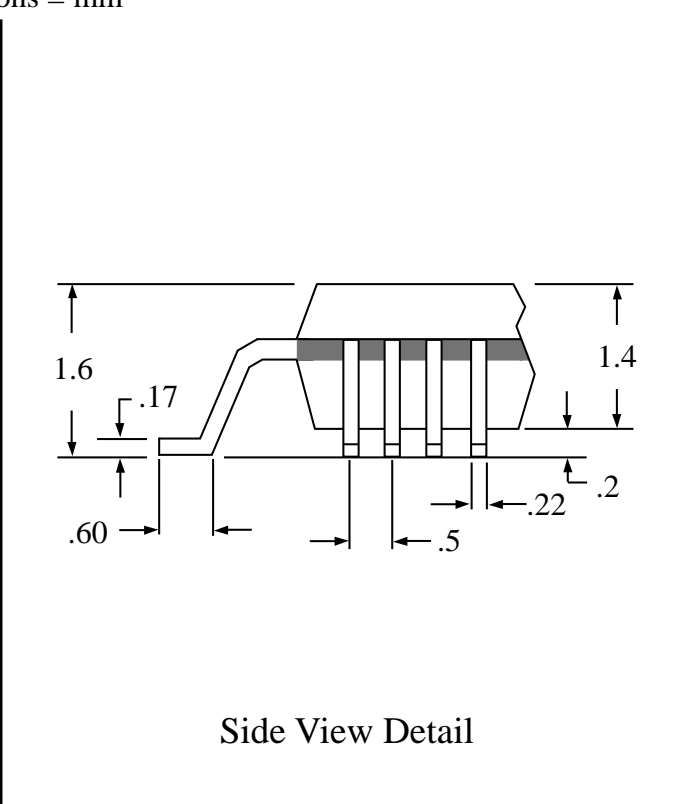
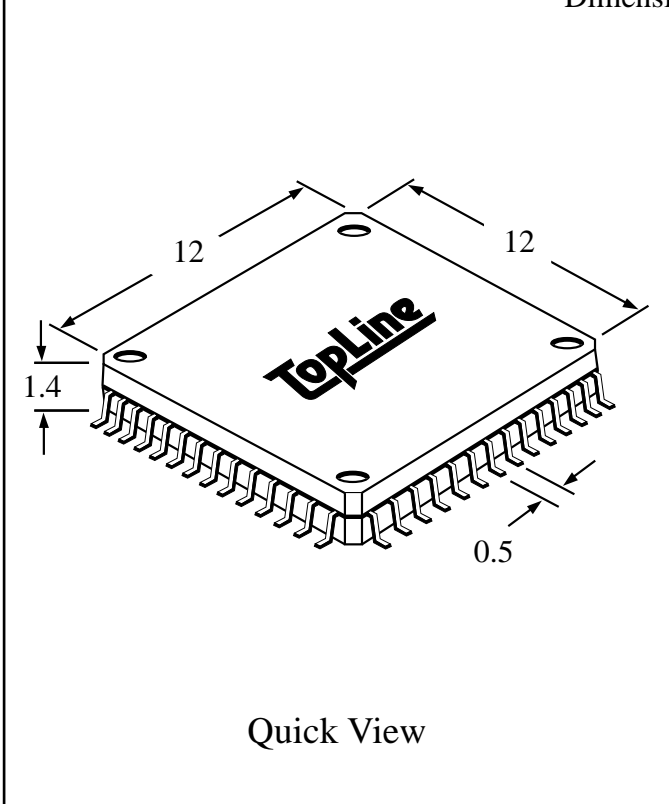
Available RoHS Pb-Free

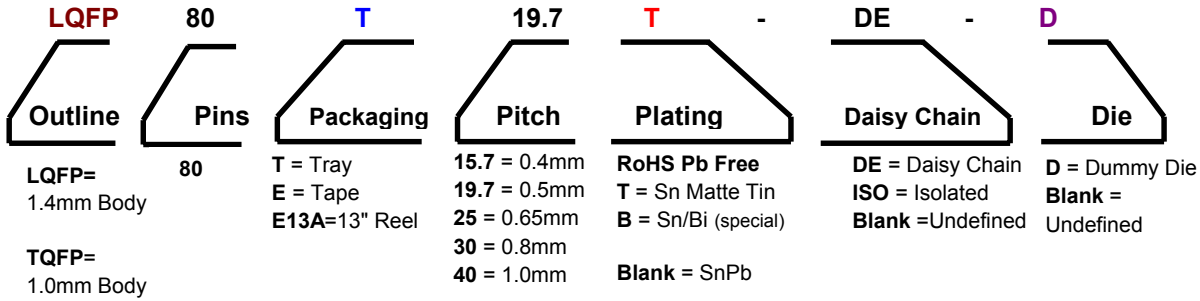


Tel 1-800-776-9888
 info@topline.tv



Dimensions = mm





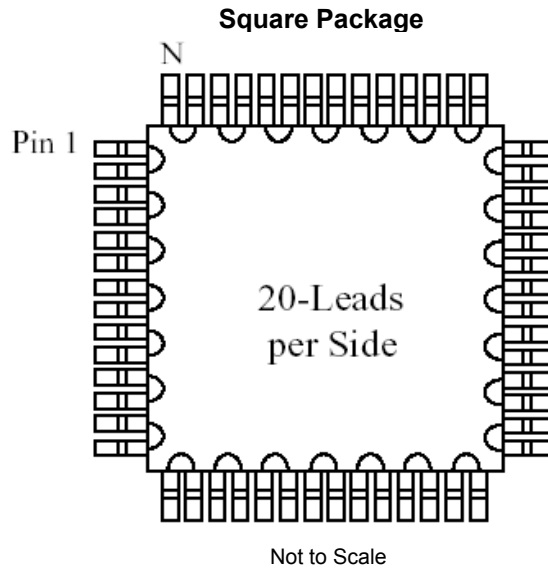
Ordering Steps:

- Step 1: Select outline body thickness TQFP (1.0mm) or LQFP (1.4mm).
- Step 2: Choose packaging. Tray is standard. Tape and Reel is available.
- Step 3: Select plating requirements. RoHS Pb-Free or SnPb
- Step 4: Select options according to your application. See chart below.

Part Number Packaged in Tray (Standard)	Options				Applications					
	Plating	Daisy Chain	Dummy Die	Isolated Pins	Mounting Practice	Rework Solder Practice	Reflow Temperature Profiling	Continuity Test	Life Cycle Test	S.I.R. Test
LQFP80T19.7	SnPb	No	No	No	x	x				
LQFP80T19.7T	Pb-Free	No	No	No	x	x				
LQFP80T19.7-DE-D	SnPb	Yes	Yes	No	x	x	x	x	x	
LQFP80T19.7T-DE-D	Pb-Free	Yes	Yes	No	x	x	x	x	x	
LQFP80T19.7-ISO	SnPb	No	No	Yes	x	x	x			x
LQFP80T19.7T-ISO	Pb-Free	No	No	Yes	x	x	x			x

Part Number Packaged in Tape and Reel	Options				Applications					
	Plating	Daisy Chain	Dummy Die	Isolated Pins	Mounting Practice	Rework Solder Practice	Reflow Temperature Profiling	Continuity Test	Life Cycle Test	S.I.R. Test
LQFP80E13A19.7	SnPb	No	No	No	x	x				
LQFP80E13A19.7T	Pb-Free	No	No	No	x	x				
LQFP80E13A19.7-DE-D	SnPb	Yes	Yes	No	x	x	x	x	x	
LQFP80E13A19.7T-DE-D	Pb-Free	Yes	Yes	No	x	x	x	x	x	
LQFP80E13A19.7-ISO	SnPb	No	No	Yes	x	x	x			x
LQFP80E13A19.7T-ISO	Pb-Free	No	No	Yes	x	x	x			x

Visit www.TopLine.tv or email info@TopLine.tv for applications assistance.



Daisy Chain Net List TQFP80, LQFP80 and QFP80

Net List		Net List	
From Pin	To Pin	From Pin	To Pin
1	2	41	42
3	4	43	44
5	6	45	46
7	8	47	48
9	10	49	50
11	12	51	52
13	14	53	54
15	16	55	56
17	18	57	58
19	20	59	60
21	22	61	62
23	24	63	64
25	26	65	66
27	28	67	68
29	30	69	70
31	32	71	72
33	34	73	74
35	36	75	76
37	38	77	78
39	40	79	80

Visit www.TopLine.tv or email info@TopLine.tv for applications assistance.

Part # **LQFP80T25**

Leads **80** Pitch **0.65mm**

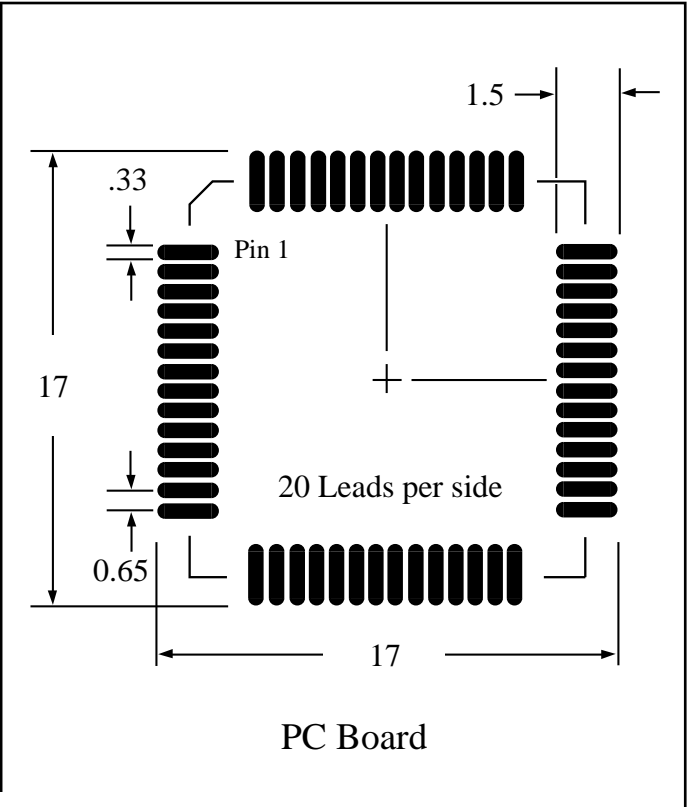
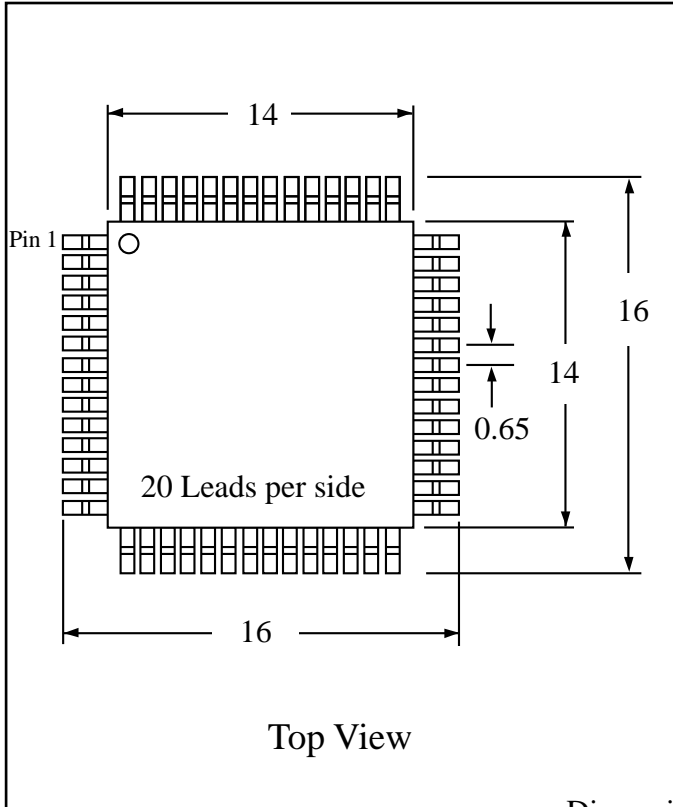
Body Size **14mm SQ**

Available RoHS Pb-Free

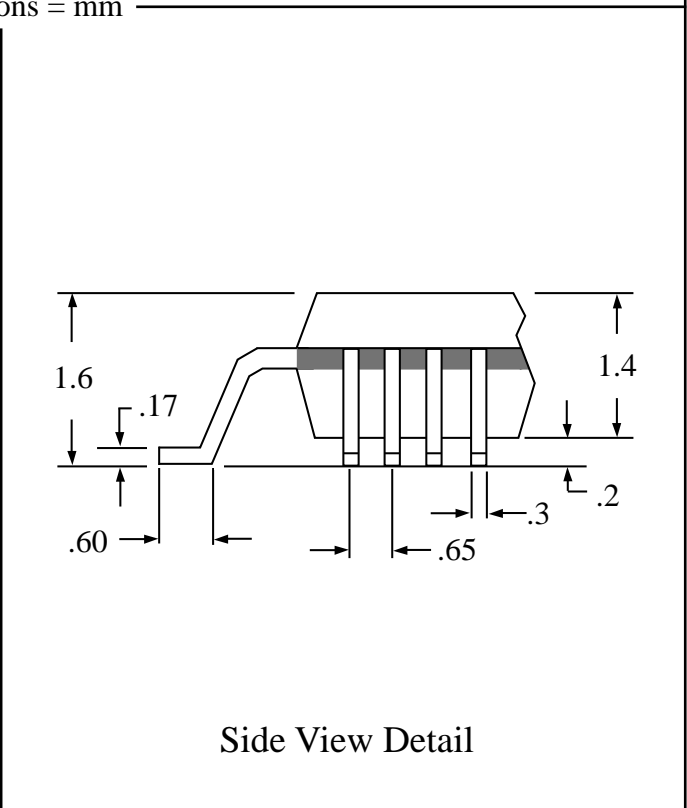
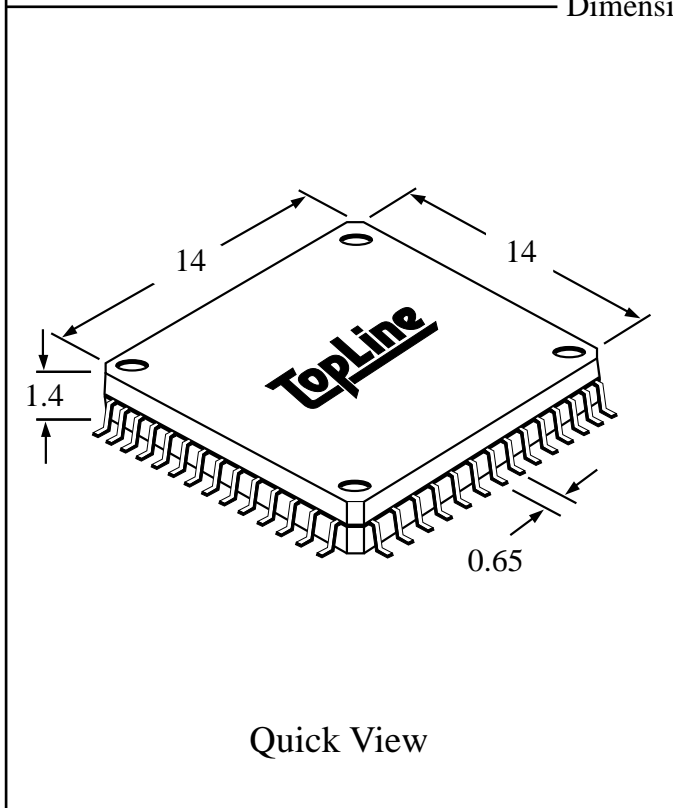
TopLineTM

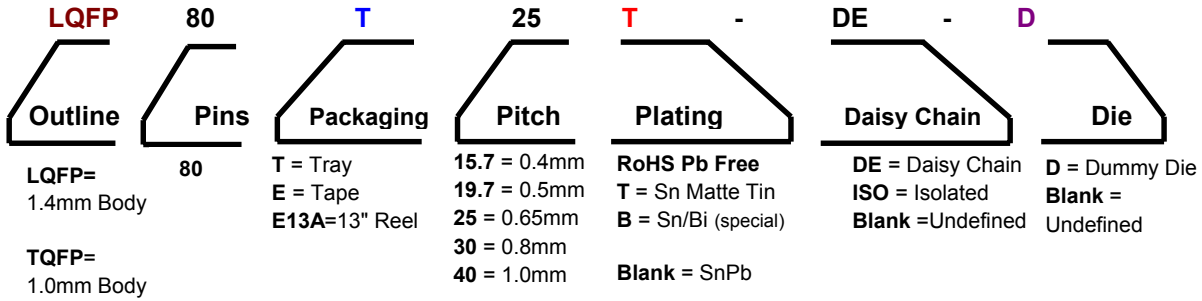
Tel 1-800-776-9888

info@topline.tv



Dimensions = mm





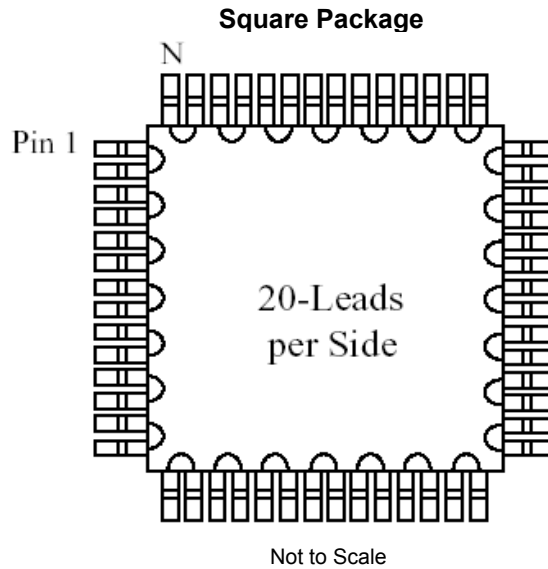
Ordering Steps:

- Step 1: Select outline body thickness TQFP (1.0mm) or LQFP (1.4mm).
- Step 2: Choose packaging. Tray is standard. Tape and Reel is available.
- Step 3: Select plating requirements. RoHS Pb-Free or SnPb
- Step 4: Select options according to your application. See chart below.

Part Number Packaged in Tray (Standard)	Options				Applications					
	Plating	Daisy Chain	Dummy Die	Isolated Pins	Mounting Practice	Rework Solder Practice	Reflow Temperature Profiling	Continuity Test	Life Cycle Test	S.I.R. Test
LQFP80T25	SnPb	No	No	No	x	x				
LQFP80T25T	Pb-Free	No	No	No	x	x				
LQFP80T25-DE-D	SnPb	Yes	Yes	No	x	x	x	x	x	
LQFP80T25T-DE-D	Pb-Free	Yes	Yes	No	x	x	x	x	x	
LQFP80T25-ISO	SnPb	No	No	Yes	x	x	x			x
LQFP80T25T-ISO	Pb-Free	No	No	Yes	x	x	x			x

Part Number Packaged in Tape and Reel	Options				Applications					
	Plating	Daisy Chain	Dummy Die	Isolated Pins	Mounting Practice	Rework Solder Practice	Reflow Temperature Profiling	Continuity Test	Life Cycle Test	S.I.R. Test
LQFP80E13A25	SnPb	No	No	No	x	x				
LQFP80E13A25T	Pb-Free	No	No	No	x	x				
LQFP80E13A25-DE-D	SnPb	Yes	Yes	No	x	x	x	x	x	
LQFP80E13A25T-DE-D	Pb-Free	Yes	Yes	No	x	x	x	x	x	
LQFP80E13A25-ISO	SnPb	No	No	Yes	x	x	x			x
LQFP80E13A25T-ISO	Pb-Free	No	No	Yes	x	x	x			x

Visit www.TopLine.tv or email info@TopLine.tv for applications assistance.



Daisy Chain Net List TQFP80, LQFP80 and QFP80

Net List		Net List	
From Pin	To Pin	From Pin	To Pin
1	2	41	42
3	4	43	44
5	6	45	46
7	8	47	48
9	10	49	50
11	12	51	52
13	14	53	54
15	16	55	56
17	18	57	58
19	20	59	60
21	22	61	62
23	24	63	64
25	26	65	66
27	28	67	68
29	30	69	70
31	32	71	72
33	34	73	74
35	36	75	76
37	38	77	78
39	40	79	80

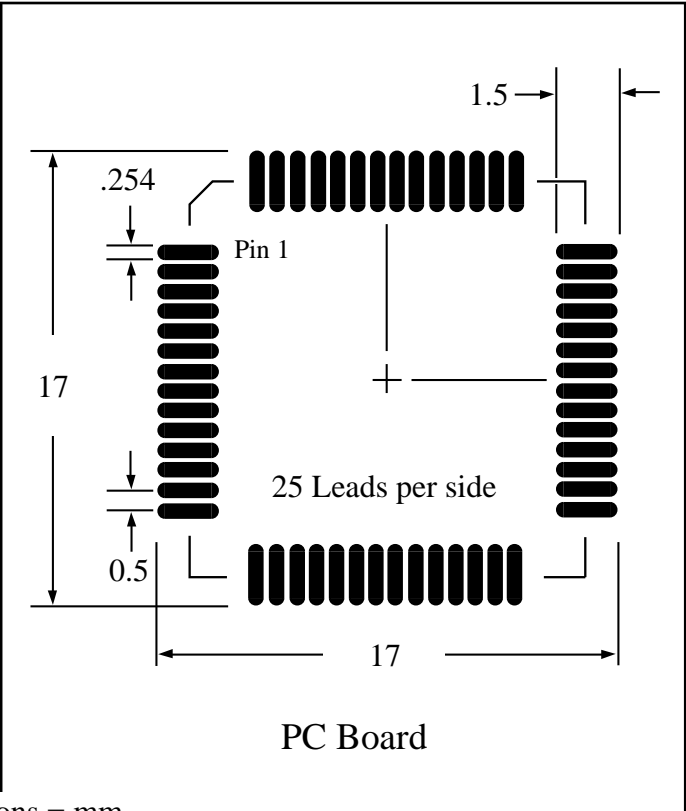
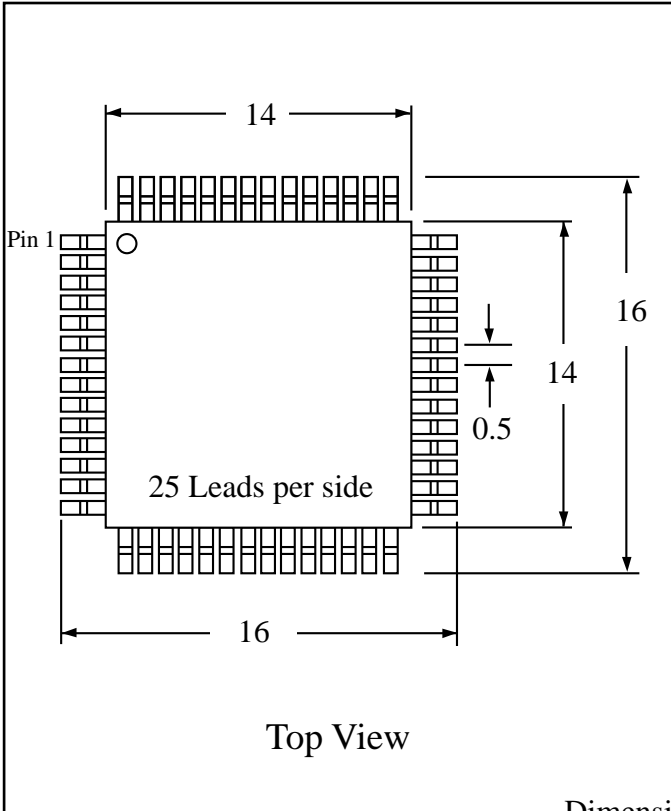
Visit www.TopLine.tv or email info@TopLine.tv for applications assistance.

Part # **LQFP100T19.7**
 Leads **100** Pitch **0.5mm**
 Body Size **14mmSQ**

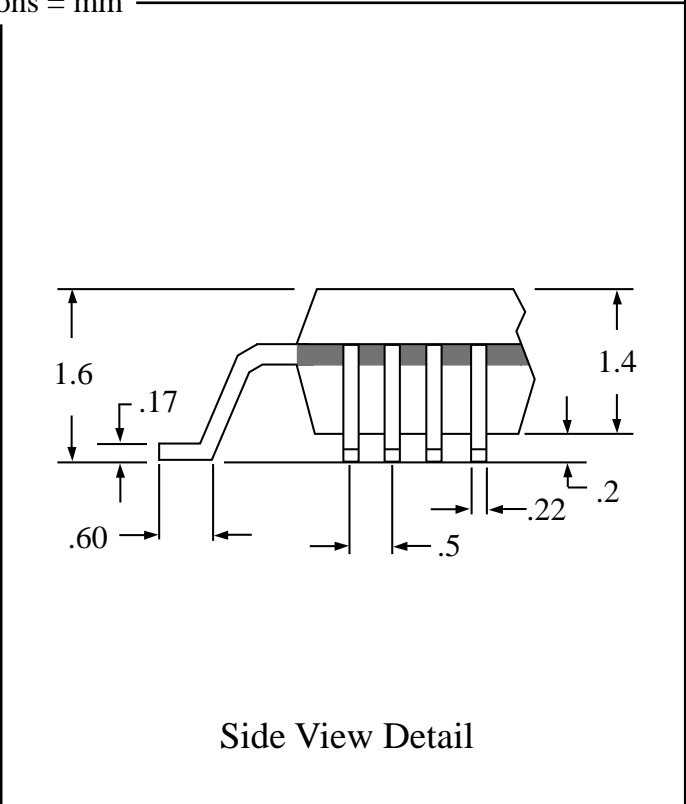
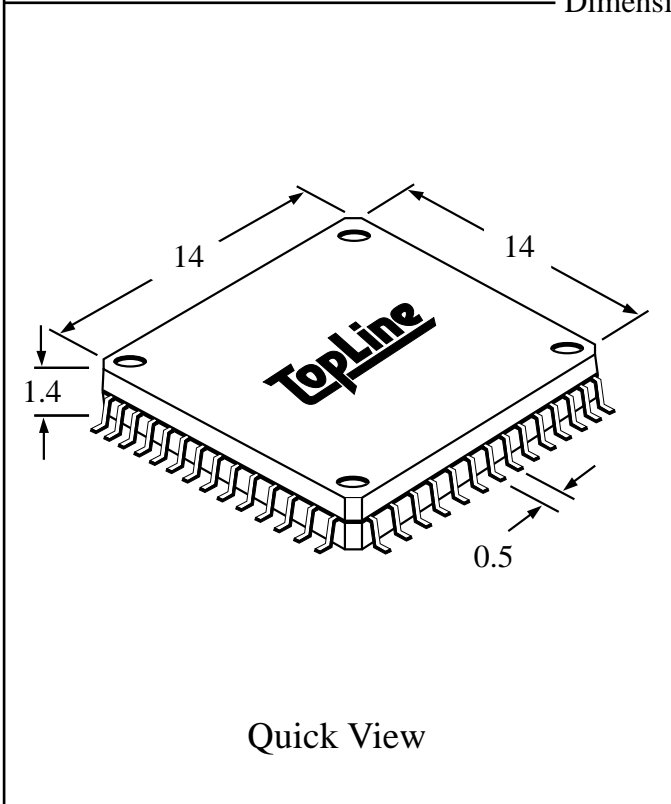
Available RoHS Pb-Free

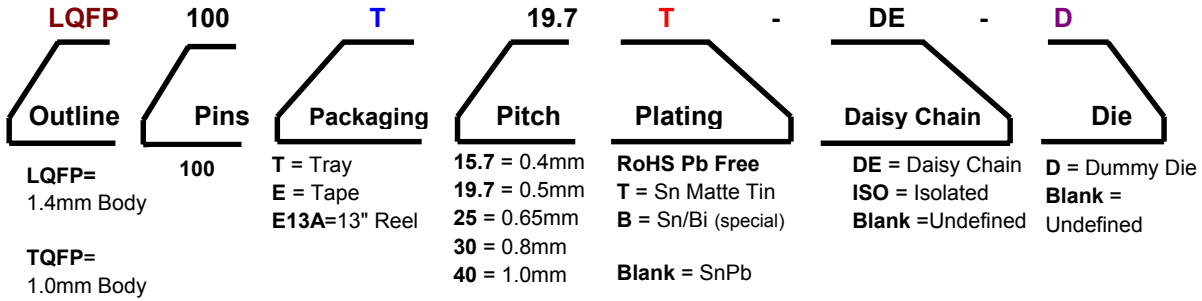
TopLineTM

Tel 1-800-776-9888
 info@topline.tv



Dimensions = mm





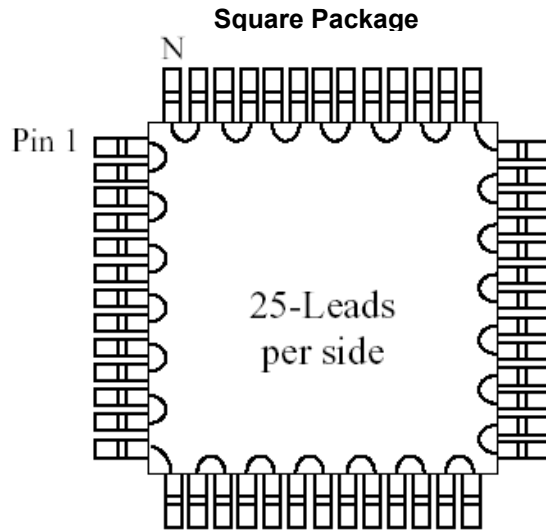
Ordering Steps:

- Step 1: Select outline body thickness TQFP (1.0mm) or LQFP (1.4mm).
- Step 2: Choose packaging. Tray is standard. Tape and Reel is available.
- Step 3: Select plating requirements. RoHS Pb-Free or SnPb
- Step 4: Select options according to your application. See chart below.

Part Number Packaged in Tray (Standard)	Options				Applications					
	Plating	Daisy Chain	Dummy Die	Isolated Pins	Mounting Practice	Rework Solder Practice	Reflow Temperature Profiling	Continuity Test	Life Cycle Test	S.I.R. Test
LQFP100T19.7	SnPb	No	No	No	x	x				
LQFP100T19.7T	Pb-Free	No	No	No	x	x				
LQFP100T19.7-DE-D	SnPb	Yes	Yes	No	x	x	x	x	x	
LQFP100T19.7T-DE-D	Pb-Free	Yes	Yes	No	x	x	x	x	x	
LQFP100T19.7-ISO	SnPb	No	No	Yes	x	x	x			x
LQFP100T19.7T-ISO	Pb-Free	No	No	Yes	x	x	x			x

Part Number Packaged in Tape and Reel	Options				Applications					
	Plating	Daisy Chain	Dummy Die	Isolated Pins	Mounting Practice	Rework Solder Practice	Reflow Temperature Profiling	Continuity Test	Life Cycle Test	S.I.R. Test
LQFP100E13A19.7	SnPb	No	No	No	x	x				
LQFP100E13A19.7T	Pb-Free	No	No	No	x	x				
LQFP100E13A19.7-DE-D	SnPb	Yes	Yes	No	x	x	x	x	x	
LQFP100E13A19.7T-DE-D	Pb-Free	Yes	Yes	No	x	x	x	x	x	
LQFP100E13A19.7-ISO	SnPb	No	No	Yes	x	x	x			x
LQFP100E13A19.7T-ISO	Pb-Free	No	No	Yes	x	x	x			x

Visit www.TopLine.tv or email info@TopLine.tv for applications assistance.



Not to Scale

Daisy Chain Net List TQFP100 and LQFP100

Net List		Net List	
From Pin	To Pin	From Pin	To Pin
1	2	51	52
3	4	53	54
5	6	55	56
7	8	57	58
9	10	59	60
11	12	61	62
13	14	63	64
15	16	65	66
17	18	67	68
19	20	69	70
21	22	71	72
23	24	73	74
25	26	75	76
27	28	77	78
29	30	79	80
31	32	81	82
33	34	83	84
35	36	85	86
37	38	87	88
39	40	89	90
41	42	91	92
43	44	93	94
45	46	95	96
47	48	97	98
49	50	99	100

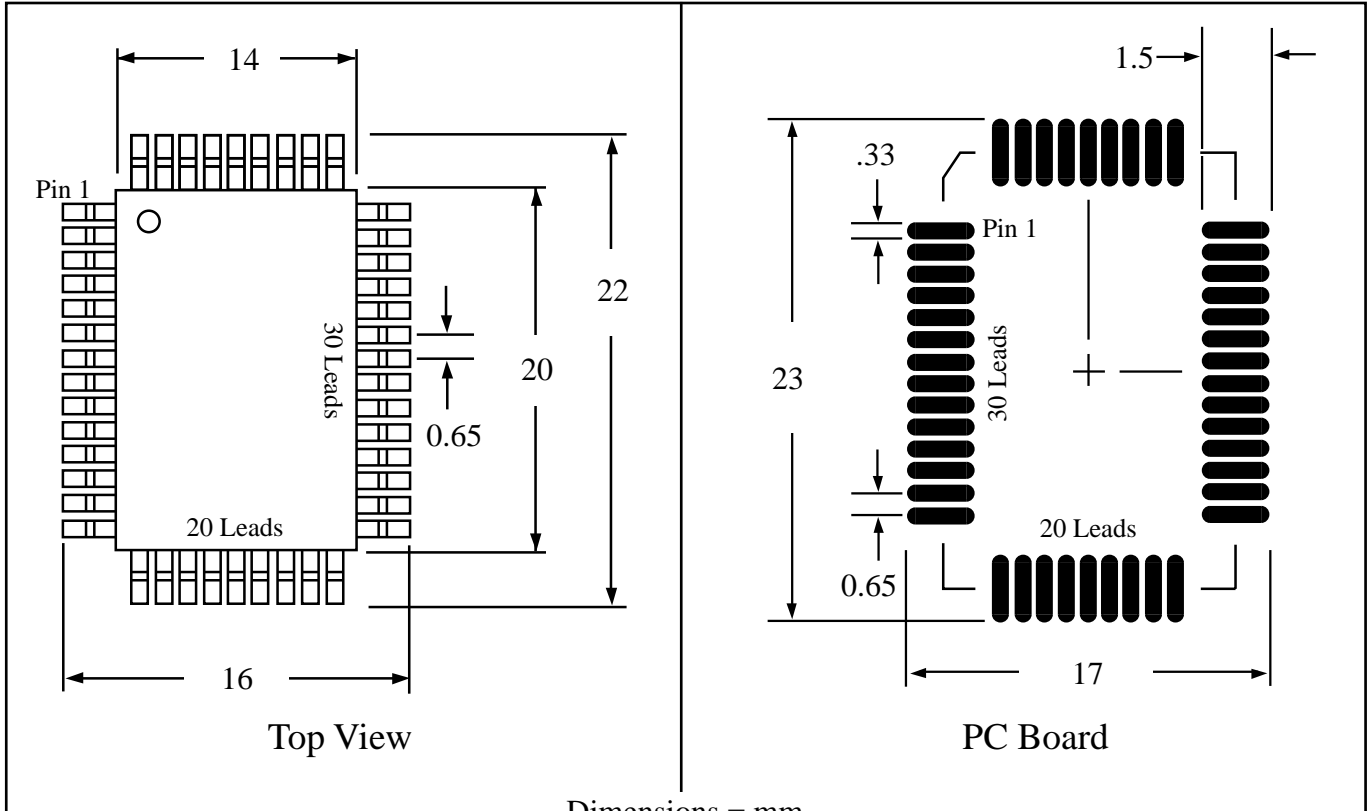
Visit www.TopLine.tv or email info@TopLine.tv for applications assistance.

Part # **LQFP100T25**
 Leads **100** Pitch **0.65mm**
 Body Size **14mm x 20mm**

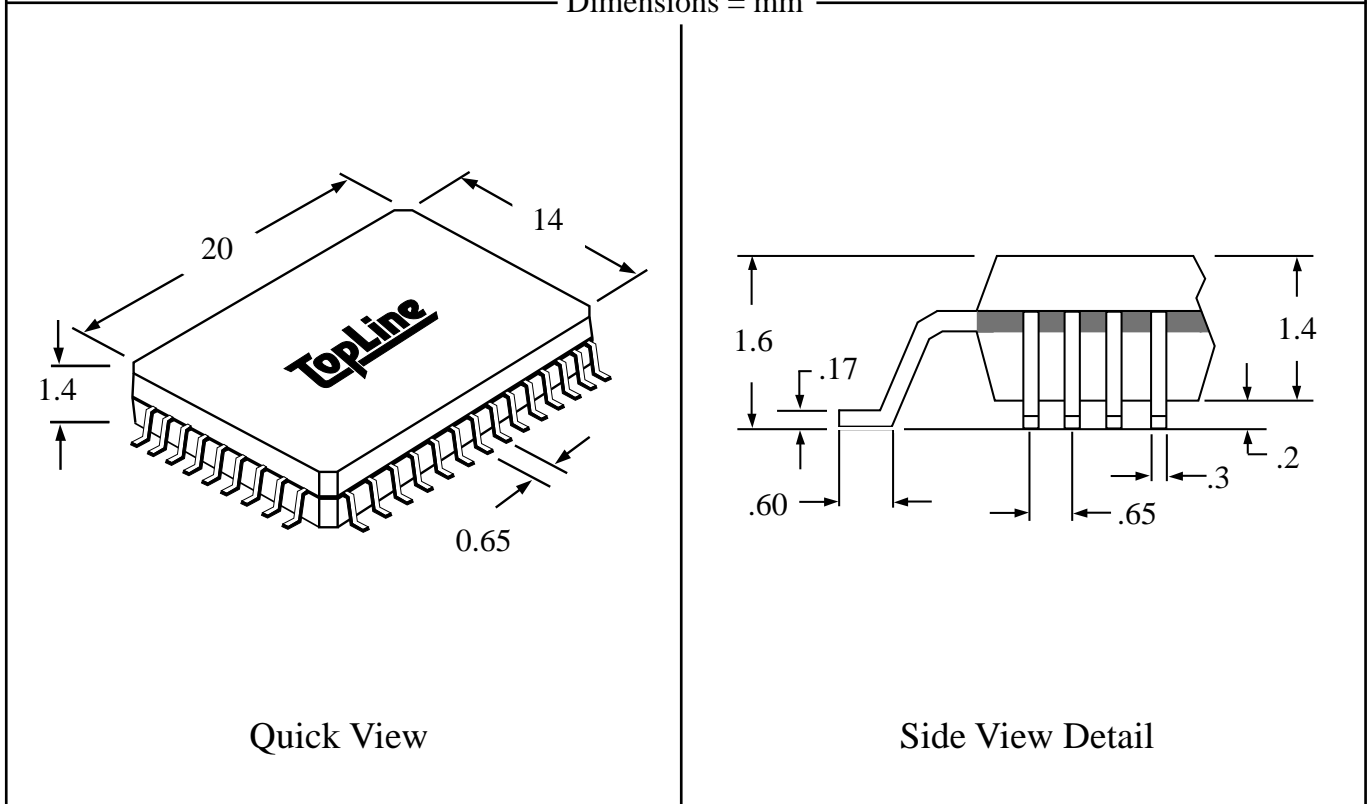
Available RoHS Pb-Free

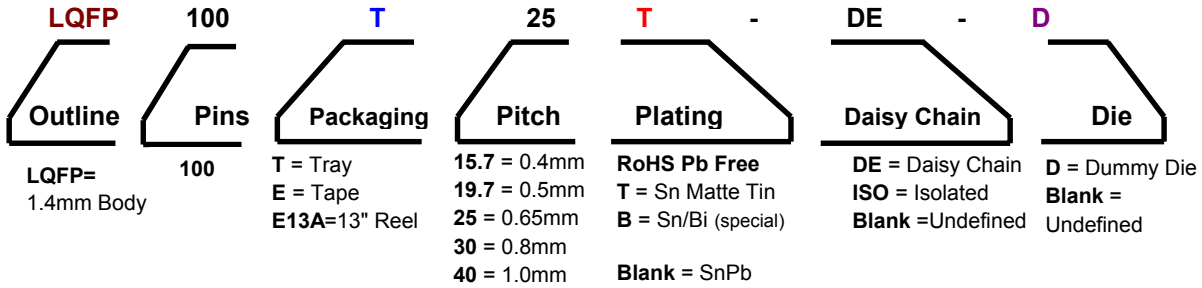
TopLineTM

Tel 1-800-776-9888
 info@topline.tv



Dimensions = mm





Ordering Steps:

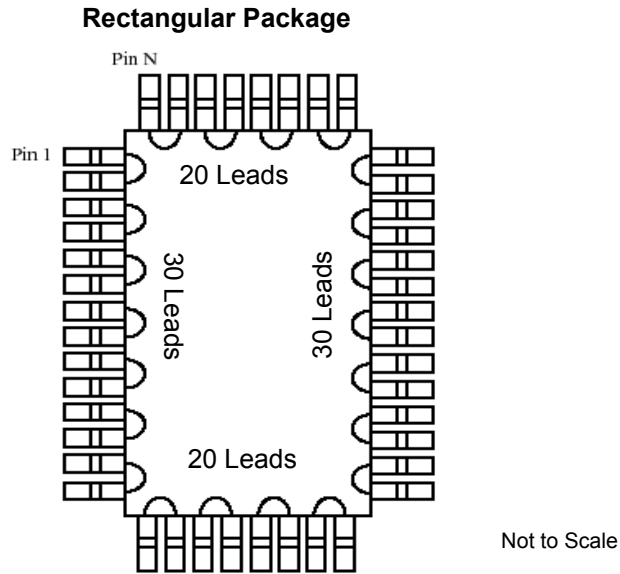
- Step 1: Select outline body thickness LQFP (1.4mm).
- Step 2: Choose packaging. Tray is standard. Tape and Reel is available.
- Step 3: Select plating requirements. RoHS Pb-Free or SnPb
- Step 4: Select options according to your application. See chart below.

Part Number Packaged in Tray (Standard)	Options				Applications					
	Plating	Daisy Chain	Dummy Die	Isolated Pins	Mounting Practice	Rework Solder Practice	Reflow Temperature Profiling	Continuity Test	Life Cycle Test	S.I.R. Test
LQFP100T25	SnPb	No	No	No	x	x				
LQFP100T25T	Pb-Free	No	No	No	x	x				
LQFP100T25-DE-D	SnPb	Yes	Yes	No	x	x	x	x	x	
LQFP100T25T-DE-D	Pb-Free	Yes	Yes	No	x	x	x	x	x	
LQFP100T25-ISO	SnPb	No	No	Yes	x	x	x			x
LQFP100T25T-ISO	Pb-Free	No	No	Yes	x	x	x			x

Part Number Packaged in Tape and Reel	Options				Applications					
	Plating	Daisy Chain	Dummy Die	Isolated Pins	Mounting Practice	Rework Solder Practice	Reflow Temperature Profiling	Continuity Test	Life Cycle Test	S.I.R. Test
LQFP100E13A25	SnPb	No	No	No	x	x				
LQFP100E13A25T	Pb-Free	No	No	No	x	x				
LQFP100E13A25-DE-D	SnPb	Yes	Yes	No	x	x	x	x	x	
LQFP100E13A25T-DE-D	Pb-Free	Yes	Yes	No	x	x	x	x	x	
LQFP100E13A25-ISO	SnPb	No	No	Yes	x	x	x			x
LQFP100E13A25T-ISO	Pb-Free	No	No	Yes	x	x	x			x

Visit www.TopLine.tv or email info@TopLine.tv for applications assistance.

Daisy Chain TQFP100, LQFP100 and QFP100 Rectangular



Daisy Chain Net List TQFP100, LQFP100 and QFP Rectangular

Net List		Net List	
From Pin	To Pin	From Pin	To Pin
1	2	51	52
3	4	53	54
5	6	55	56
7	8	57	58
9	10	59	60
11	12	61	62
13	14	63	64
15	16	65	66
17	18	67	68
19	20	69	70
21	22	71	72
23	24	73	74
25	26	75	76
27	28	77	78
29	30	79	80
31	32	81	82
33	34	83	84
35	36	85	86
37	38	87	88
39	40	89	90
41	42	91	92
43	44	93	94
45	46	95	96
47	48	97	98
49	50	99	100

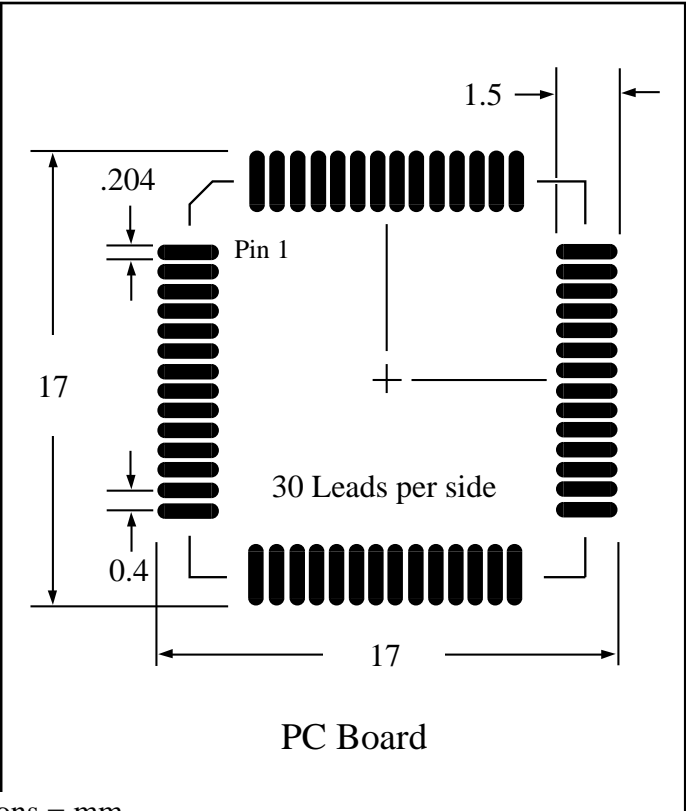
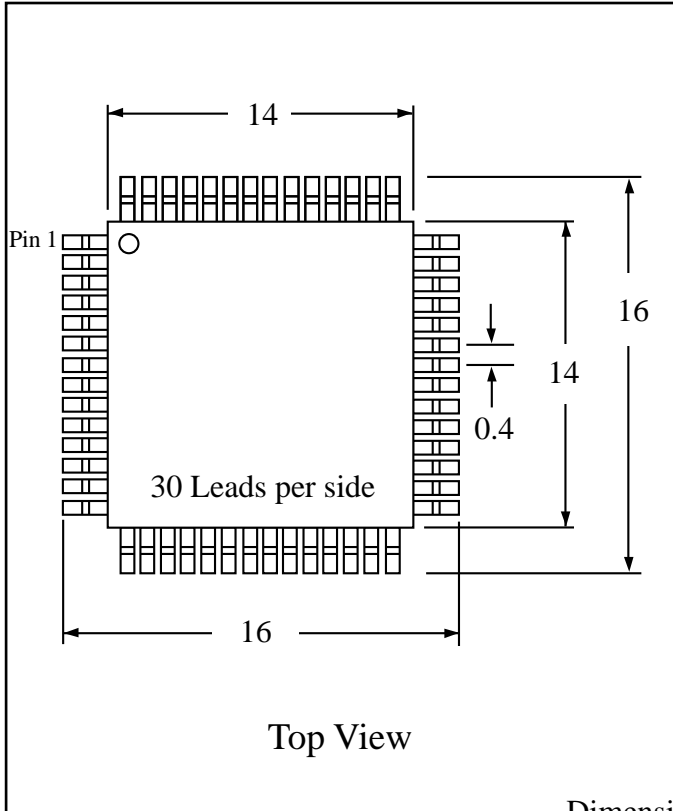
Visit www.TopLine.tv or email info@TopLine.tv for applications assistance.

Part # **LQFP120T15.7**
 Leads **120** Pitch **0.4mm**
 Body Size **14mm SQ**

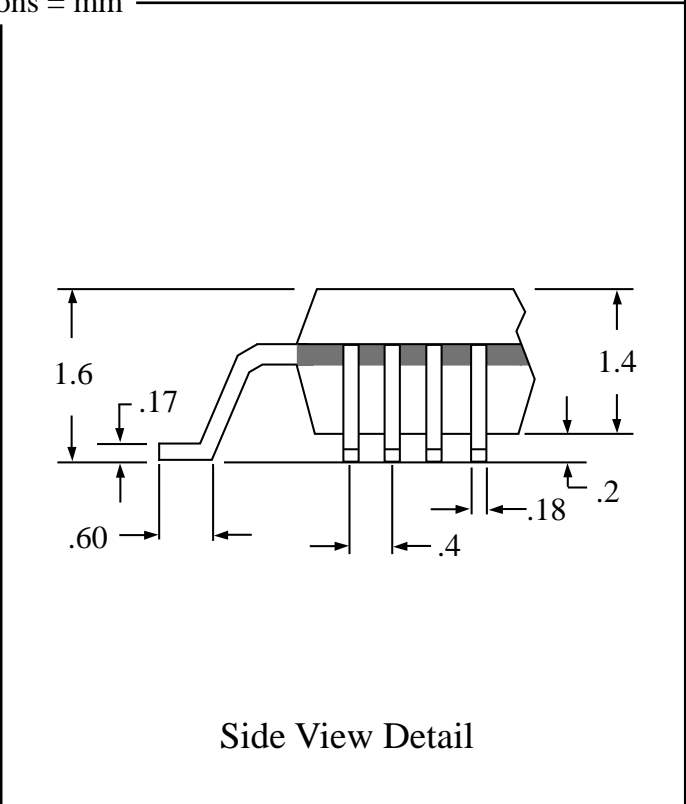
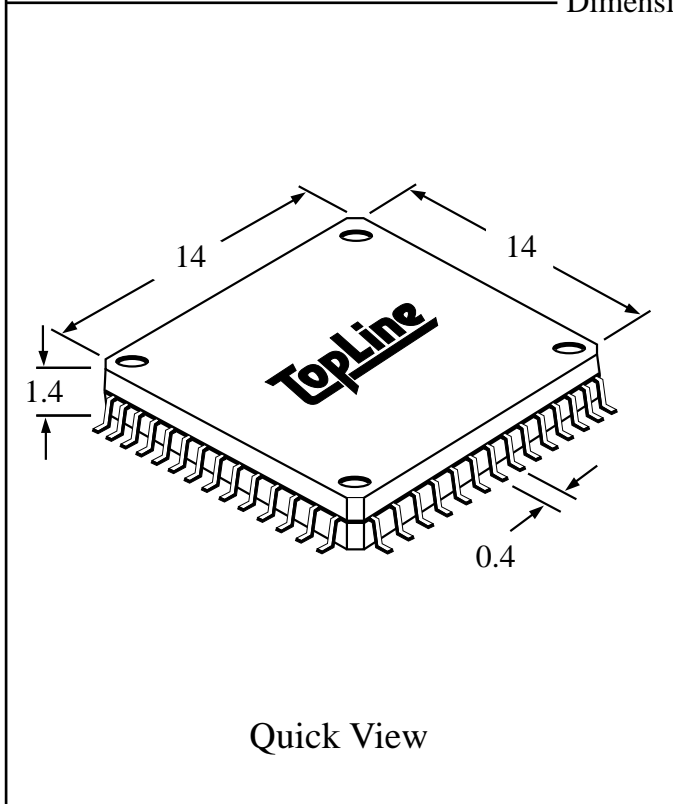
Available RoHS Pb-Free

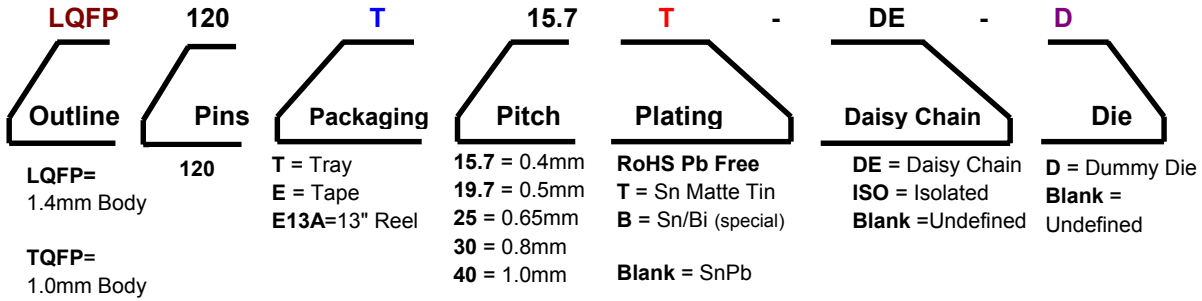
TopLineTM

Tel 1-800-776-9888
 info@topline.tv



Dimensions = mm





Ordering Steps:

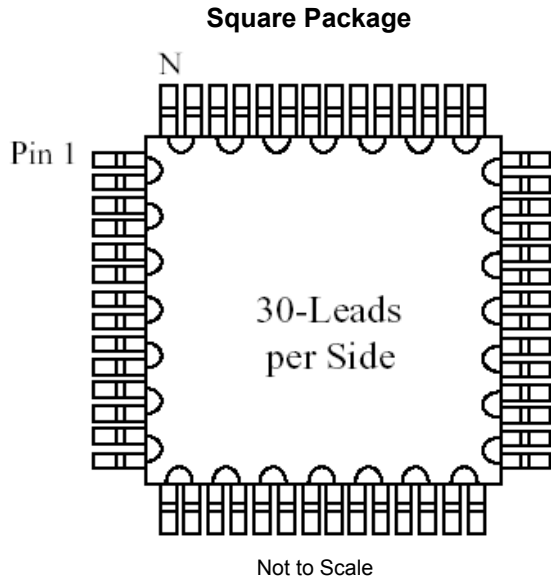
- Step 1: Select outline body thickness TQFP (1.0mm) or LQFP (1.4mm).
- Step 2: Choose packaging. Tray is standard. Tape and Reel is available.
- Step 3: Select plating requirements. RoHS Pb-Free or SnPb
- Step 4: Select options according to your application. See chart below.

Part Number Packaged in Tray (Standard)	Options				Applications					
	Plating	Daisy Chain	Dummy Die	Isolated Pins	Mounting Practice	Rework Solder Practice	Reflow Temperature Profiling	Continuity Test	Life Cycle Test	S.I.R. Test
LQFP120T15.7	SnPb	No	No	No	x	x				
LQFP120T15.7T	Pb-Free	No	No	No	x	x				
LQFP120T15.7-DE-D	SnPb	Yes	Yes	No	x	x	x	x	x	
LQFP120T15.7T-DE-D	Pb-Free	Yes	Yes	No	x	x	x	x	x	
LQFP120T15.7-ISO	SnPb	No	No	Yes	x	x	x			x
LQFP120T15.7T-ISO	Pb-Free	No	No	Yes	x	x	x			x

Part Number Packaged in Tape and Reel	Options				Applications					
	Plating	Daisy Chain	Dummy Die	Isolated Pins	Mounting Practice	Rework Solder Practice	Reflow Temperature Profiling	Continuity Test	Life Cycle Test	S.I.R. Test
LQFP120E13A15.7	SnPb	No	No	No	x	x				
LQFP120E13A15.7T	Pb-Free	No	No	No	x	x				
LQFP120E13A15.7-DE-D	SnPb	Yes	Yes	No	x	x	x	x	x	
LQFP120E13A15.7T-DE-D	Pb-Free	Yes	Yes	No	x	x	x	x	x	
LQFP120E13A15.7-ISO	SnPb	No	No	Yes	x	x	x			x
LQFP120E13A15.7T-ISO	Pb-Free	No	No	Yes	x	x	x			x

Visit www.TopLine.tv or email info@TopLine.tv for applications assistance.

Daisy Chain TQFP120, LQFP120 and QFP120



Daisy Chain Net List TQFP120, LQFP120 and QFP120

Net List		Net List		Net List	
From Pin	To Pin	From Pin	To Pin	From Pin	To Pin
1	2	41	42	81	82
3	4	43	44	83	84
5	6	45	46	85	86
7	8	47	48	87	88
9	10	49	50	89	90
11	12	51	52	91	92
13	14	53	54	93	94
15	16	55	56	95	96
17	18	57	58	97	98
19	20	59	60	99	100
21	22	61	62	101	102
23	24	63	64	103	104
25	26	65	66	105	106
27	28	67	68	107	108
29	30	69	70	109	110
31	32	71	72	111	112
33	34	73	74	113	114
35	36	75	76	115	116
37	38	77	78	117	118
39	40	79	80	119	120

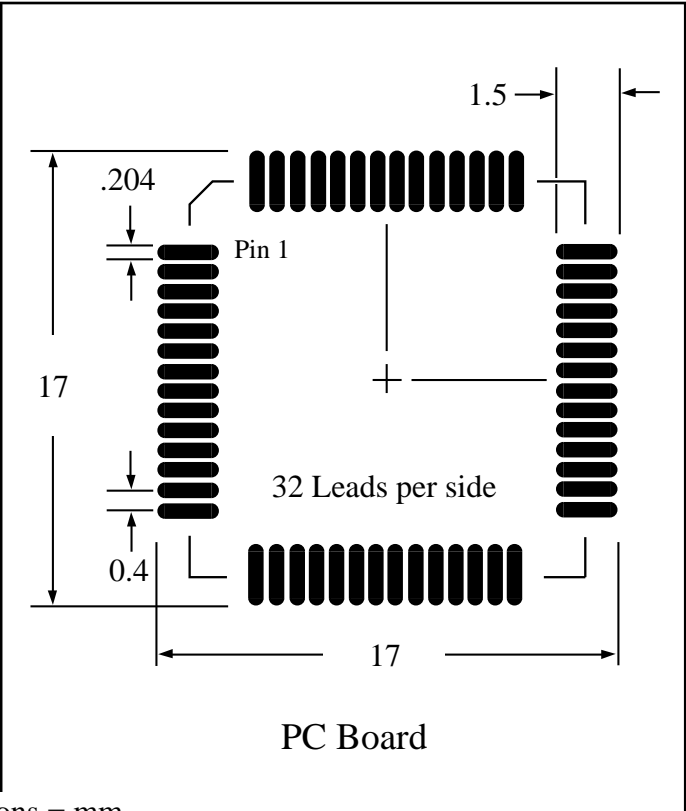
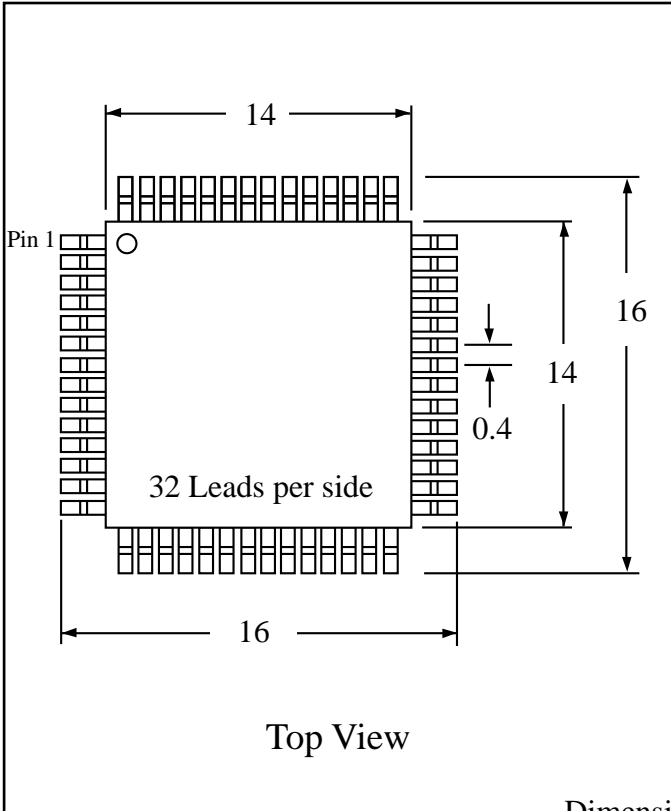
Visit www.TopLine.tv or email info@TopLine.tv for applications assistance.

Part # **LQFP128T15.7**
 Leads **128** Pitch **0.4mm**
 Body Size **14mm SQ**

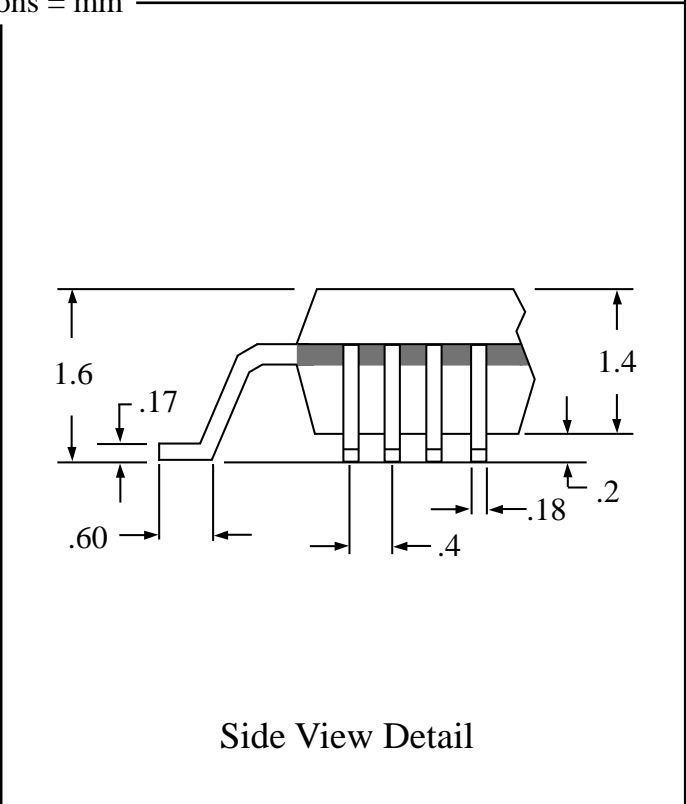
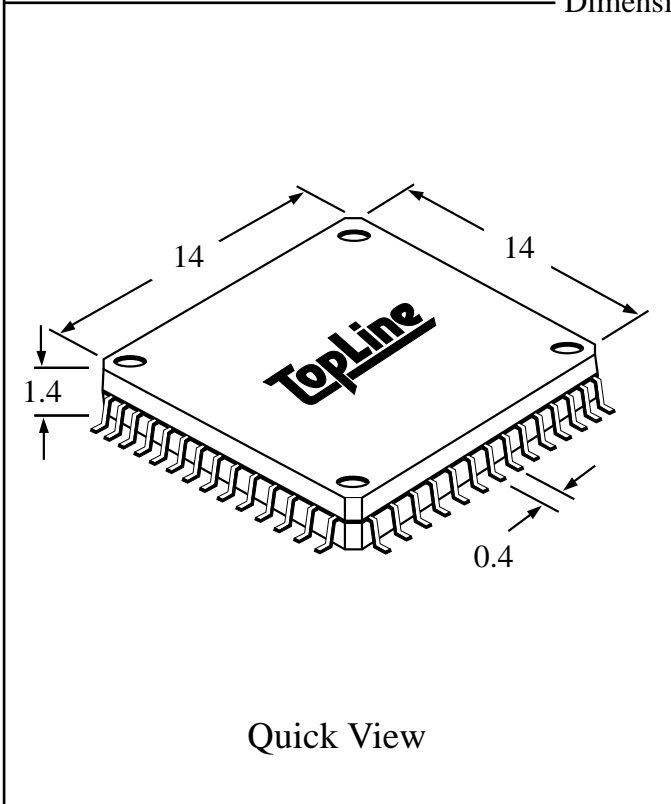
Available RoHS Pb-Free

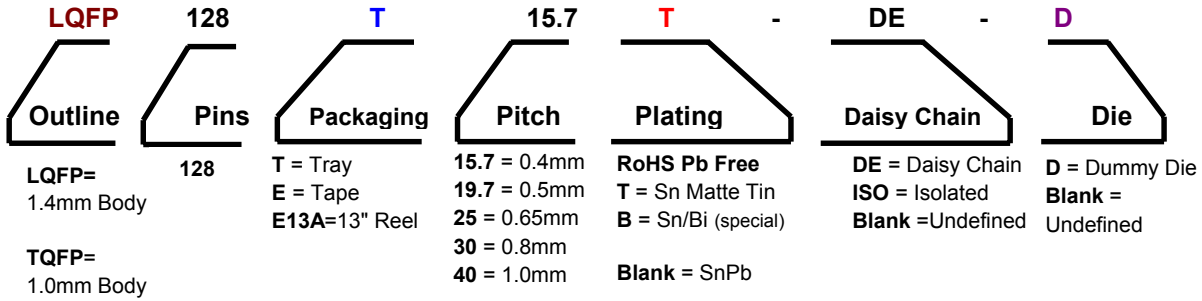


Tel 1-800-776-9888
 info@topline.tv



Dimensions = mm





Ordering Steps:

- Step 1: Select outline body thickness TQFP (1.0mm) or LQFP (1.4mm).
- Step 2: Choose packaging. Tray is standard. Tape and Reel is available.
- Step 3: Select plating requirements. RoHS Pb-Free or SnPb
- Step 4: Select options according to your application. See chart below.

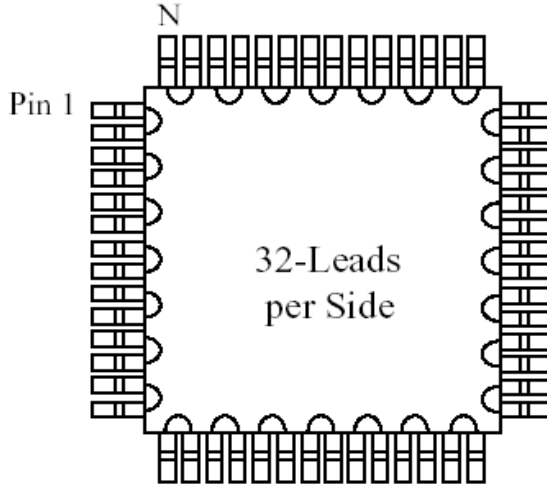
Part Number Packaged in Tray (Standard)	Options				Applications					
	Plating	Daisy Chain	Dummy Die	Isolated Pins	Mounting Practice	Rework Solder Practice	Reflow Temperature Profiling	Continuity Test	Life Cycle Test	S.I.R. Test
LQFP128T15.7	SnPb	No	No	No	x	x				
LQFP128T15.7T	Pb-Free	No	No	No	x	x				
LQFP128T15.7-DE-D	SnPb	Yes	Yes	No	x	x	x	x	x	
LQFP128T15.7T-DE-D	Pb-Free	Yes	Yes	No	x	x	x	x	x	
LQFP128T15.7-ISO	SnPb	No	No	Yes	x	x	x			x
LQFP128T15.7T-ISO	Pb-Free	No	No	Yes	x	x	x			x

Part Number Packaged in Tape and Reel	Options				Applications					
	Plating	Daisy Chain	Dummy Die	Isolated Pins	Mounting Practice	Rework Solder Practice	Reflow Temperature Profiling	Continuity Test	Life Cycle Test	S.I.R. Test
LQFP128E13A15.7	SnPb	No	No	No	x	x				
LQFP128E13A15.7T	Pb-Free	No	No	No	x	x				
LQFP128E13A15.7-DE-D	SnPb	Yes	Yes	No	x	x	x	x	x	
LQFP128E13A15.7T-DE-D	Pb-Free	Yes	Yes	No	x	x	x	x	x	
LQFP128E13A15.7-ISO	SnPb	No	No	Yes	x	x	x			x
LQFP128E13A15.7T-ISO	Pb-Free	No	No	Yes	x	x	x			x

Visit www.TopLine.tv or email info@TopLine.tv for applications assistance.

Daisy Chain TQFP128, LQFP128 and QFP128

Square Package



Not to Scale

Daisy Chain Net List TQFP, LQFP128 and QFP128

Net List	
From Pin	To Pin
1	2
3	4
5	6
7	8
9	10
11	12
13	14
15	16
17	18
19	20
21	22
23	24
25	26
27	28
29	30
31	32
33	34
35	36
37	38
39	40
41	42

Net List	
From Pin	To Pin
43	44
45	46
47	48
49	50
51	52
53	54
55	56
57	58
59	60
61	62
63	64
65	66
67	68
69	70
71	72
73	74
75	76
77	78
79	80
81	82
83	84

Net List	
From Pin	To Pin
85	86
87	88
89	90
91	92
93	94
95	96
97	98
99	100
101	102
103	104
105	106
107	108
109	110
111	112
113	114
115	116
117	118
119	120
121	122
123	124
125	126
127	128

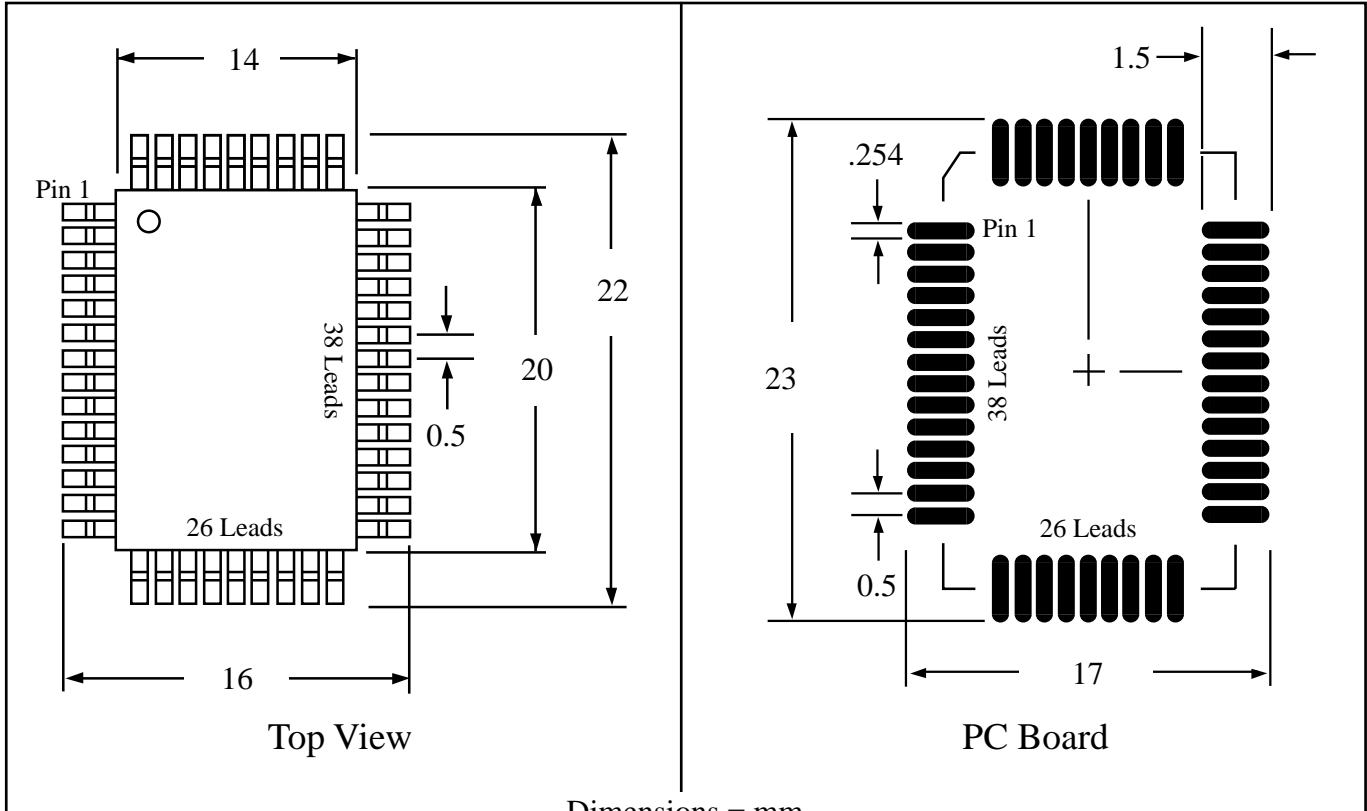
Visit www.TopLine.tv or email info@TopLine.tv for applications assistance.

Part # **LQFP128T19.7**
 Leads **128** Pitch **0.5mm**
 Body Size **14mm x 20mm**

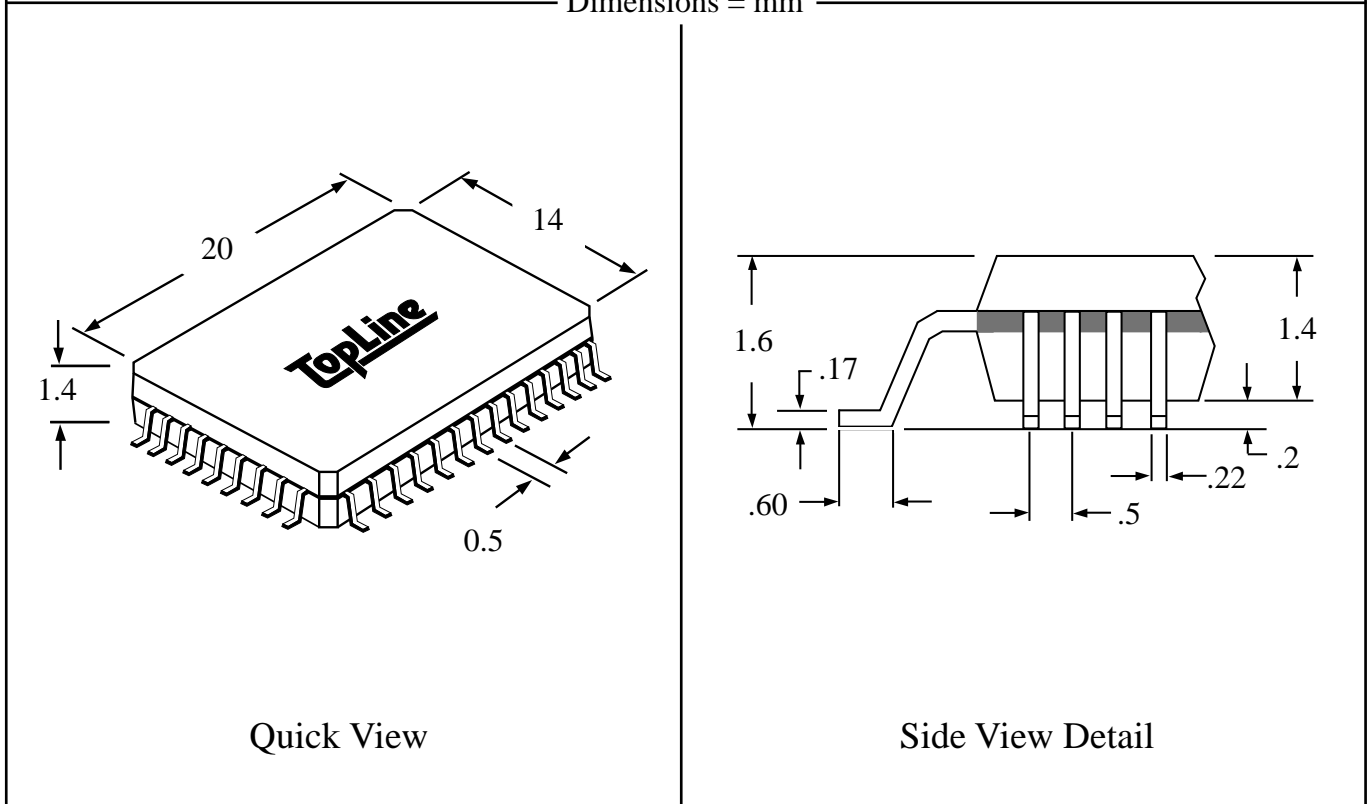
Available RoHS Pb-Free

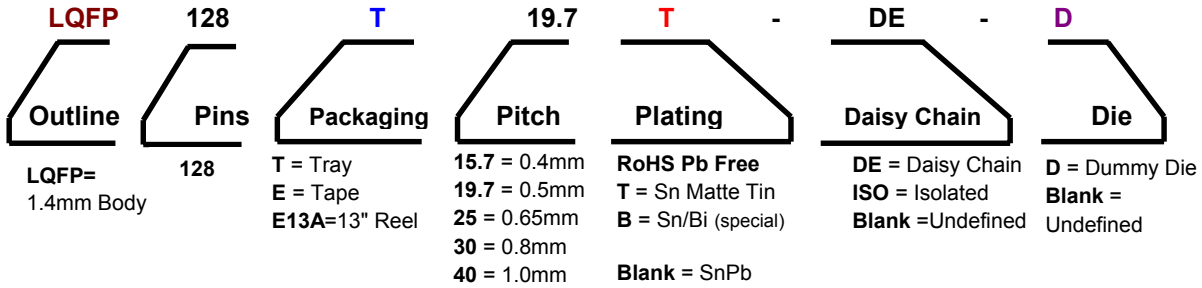


Tel 1-800-776-9888
 info@topline.tv



Dimensions = mm





Ordering Steps:

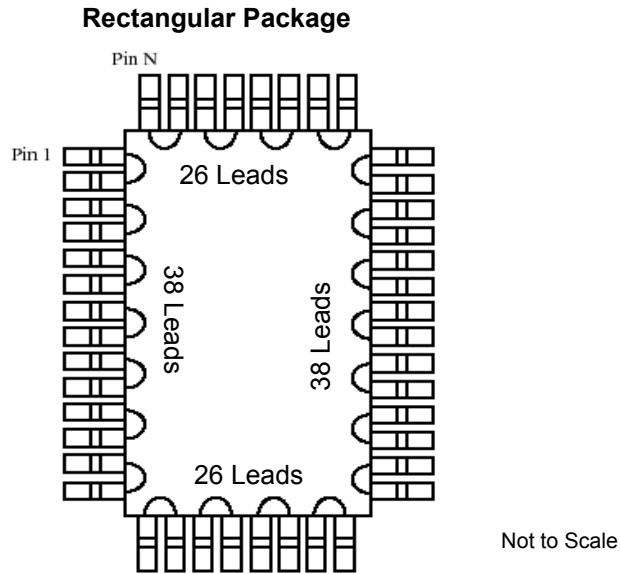
- Step 1: Select outline body thickness LQFP (1.4mm).
- Step 2: Choose packaging. Tray is standard. Tape and Reel is available.
- Step 3: Select plating requirements. RoHS Pb-Free or SnPb
- Step 4. Select options according to your application. See chart below.

Part Number Packaged in Tray (Standard)	Options				Applications					
	Plating	Daisy Chain	Dummy Die	Isolated Pins	Mounting Practice	Rework Solder Practice	Reflow Temperature Profiling	Continuity Test	Life Cycle Test	S.I.R. Test
LQFP128T19.7	SnPb	No	No	No	x	x				
LQFP128T19.7T	Pb-Free	No	No	No	x	x				
LQFP128T19.7-DE-D	SnPb	Yes	Yes	No	x	x	x	x	x	
LQFP128T19.7T-DE-D	Pb-Free	Yes	Yes	No	x	x	x	x	x	
LQFP128T19.7-ISO	SnPb	No	No	Yes	x	x	x			x
LQFP128T19.7T-ISO	Pb-Free	No	No	Yes	x	x	x			x

Part Number Packaged in Tape and Reel	Options				Applications					
	Plating	Daisy Chain	Dummy Die	Isolated Pins	Mounting Practice	Rework Solder Practice	Reflow Temperature Profiling	Continuity Test	Life Cycle Test	S.I.R. Test
LQFP128E13A19.7	SnPb	No	No	No	x	x				
LQFP128E13A19.7T	Pb-Free	No	No	No	x	x				
LQFP128E13A19.7-DE-D	SnPb	Yes	Yes	No	x	x	x	x	x	
LQFP128E13A19.7T-DE-D	Pb-Free	Yes	Yes	No	x	x	x	x	x	
LQFP128E13A19.7-ISO	SnPb	No	No	Yes	x	x	x			x
LQFP128E13A19.7T-ISO	Pb-Free	No	No	Yes	x	x	x			x

Visit www.TopLine.tv or email info@TopLine.tv for applications assistance.

Daisy Chain LQFP128 and QFP128 Rectangular



Daisy Chain Net List LQFP128 and QFP128 Rectangular

Net List	
From Pin	To Pin
1	2
3	4
5	6
7	8
9	10
11	12
13	14
15	16
17	18
19	20
21	22
23	24
25	26
27	28
29	30
31	32
33	34
35	36
37	38
39	40
41	42

Net List	
From Pin	To Pin
43	44
45	46
47	48
49	50
51	52
53	54
55	56
57	58
59	60
61	62
63	64
65	66
67	68
69	70
71	72
73	74
75	76
77	78
79	80
81	82
83	84

Net List	
From Pin	To Pin
85	86
87	88
89	90
91	92
93	94
95	96
97	98
99	100
101	102
103	104
105	106
107	108
109	110
111	112
113	114
115	116
117	118
119	120
121	122
123	124
125	126
127	128

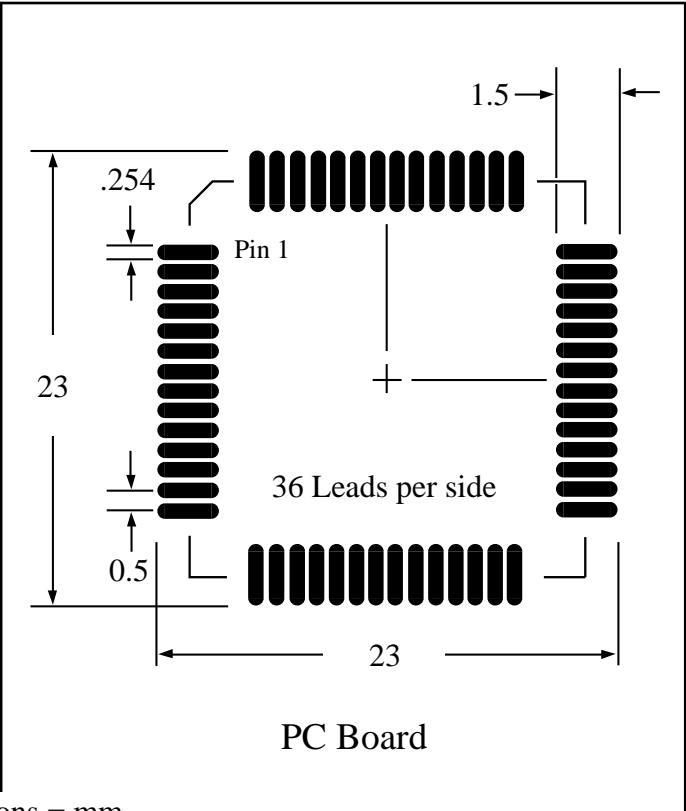
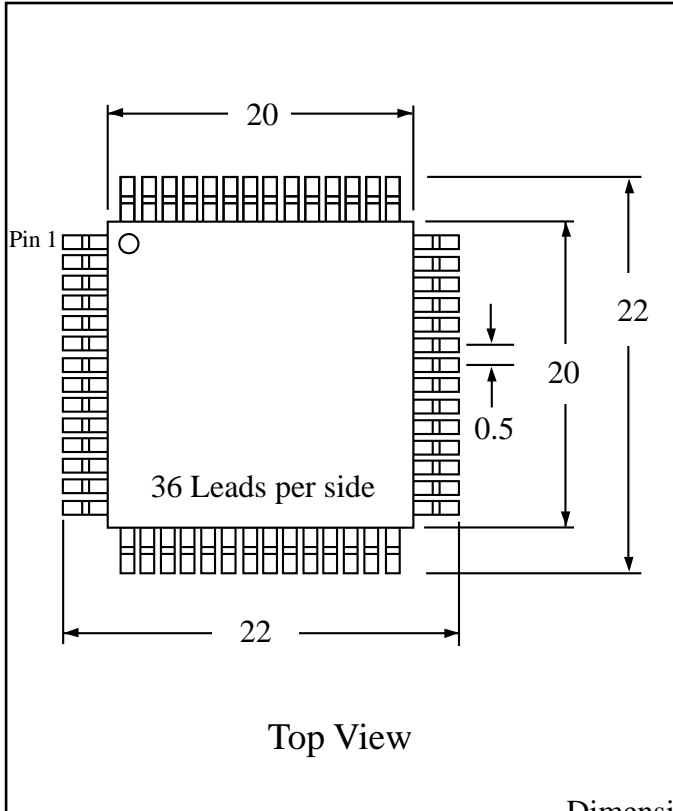
Visit www.TopLine.tv or email info@TopLine.tv for applications assistance.

Part # **LQFP144T19.7**
 Leads **144** Pitch **0.5mm**
 Body Size **20mm SQ**

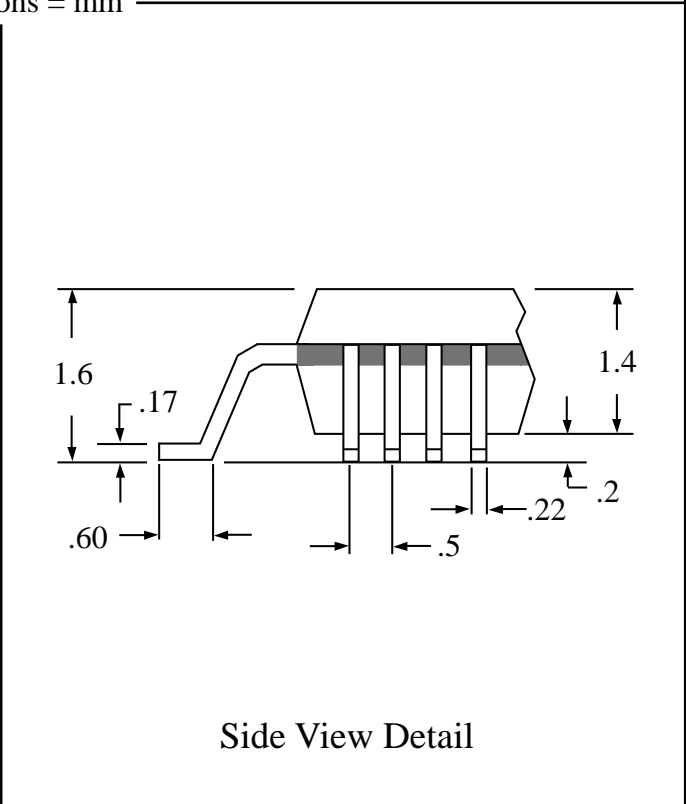
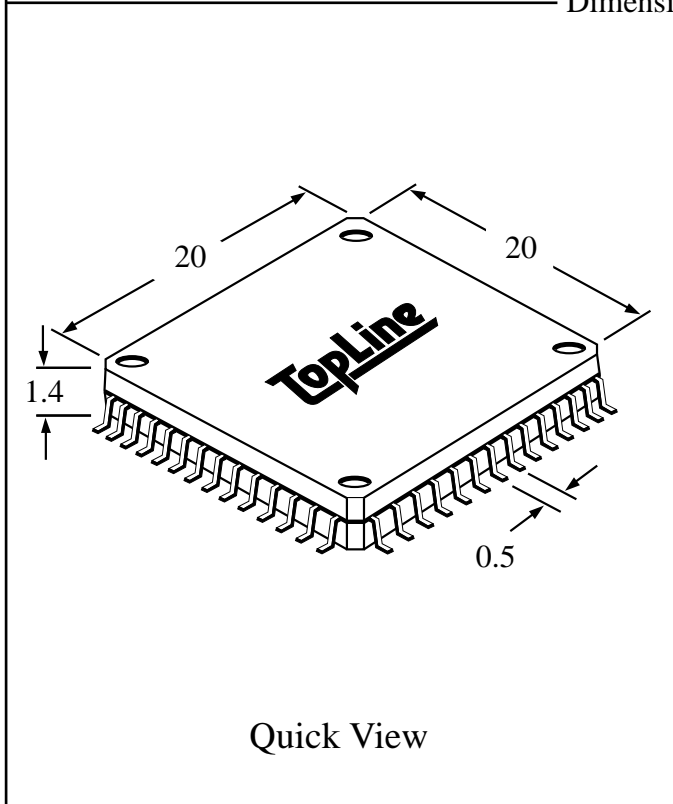
Available RoHS Pb-Free

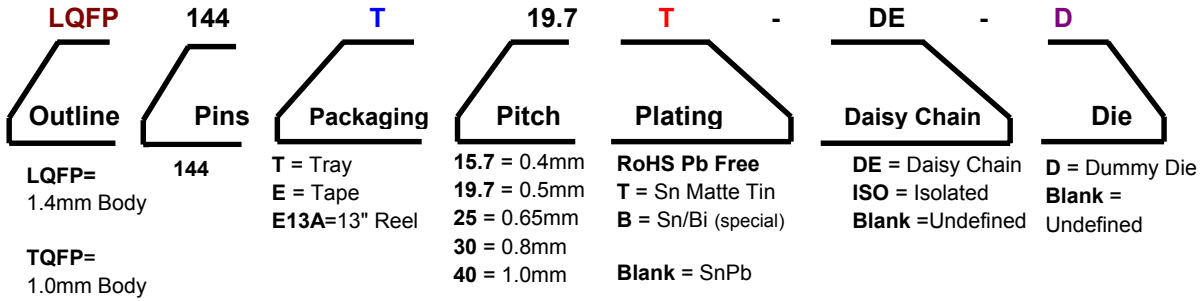


Tel 1-800-776-9888
 info@topline.tv



Dimensions = mm





Ordering Steps:

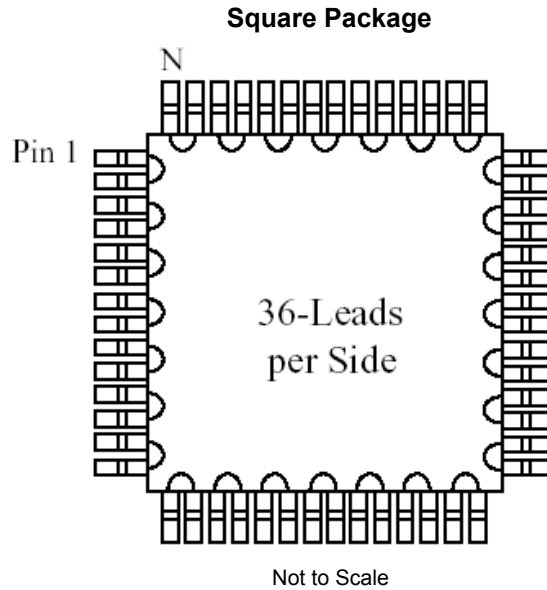
- Step 1: Select outline body thickness TQFP (1.0mm) or LQFP (1.4mm).
- Step 2: Choose packaging. Tray is standard. Tape and Reel is available.
- Step 3: Select plating requirements. RoHS Pb-Free or SnPb
- Step 4: Select options according to your application. See chart below.

Part Number Packaged in Tray (Standard)	Options				Applications					
	Plating	Daisy Chain	Dummy Die	Isolated Pins	Mounting Practice	Rework Solder Practice	Reflow Temperature Profiling	Continuity Test	Life Cycle Test	S.I.R. Test
LQFP144T19.7	SnPb	No	No	No	x	x				
LQFP144T19.7T	Pb-Free	No	No	No	x	x				
LQFP144T19.7-DE-D	SnPb	Yes	Yes	No	x	x	x	x	x	
LQFP144T19.7T-DE-D	Pb-Free	Yes	Yes	No	x	x	x	x	x	
LQFP144T19.7-ISO	SnPb	No	No	Yes	x	x	x			x
LQFP144T19.7T-ISO	Pb-Free	No	No	Yes	x	x	x			x

Part Number Packaged in Tape and Reel	Options				Applications					
	Plating	Daisy Chain	Dummy Die	Isolated Pins	Mounting Practice	Rework Solder Practice	Reflow Temperature Profiling	Continuity Test	Life Cycle Test	S.I.R. Test
LQFP144E13A19.7	SnPb	No	No	No	x	x				
LQFP144E13A19.7T	Pb-Free	No	No	No	x	x				
LQFP144E13A19.7-DE-D	SnPb	Yes	Yes	No	x	x	x	x	x	
LQFP144E13A19.7T-DE-D	Pb-Free	Yes	Yes	No	x	x	x	x	x	
LQFP144E13A19.7-ISO	SnPb	No	No	Yes	x	x	x			x
LQFP144E13A19.7T-ISO	Pb-Free	No	No	Yes	x	x	x			x

Visit www.TopLine.tv or email info@TopLine.tv for applications assistance.

Daisy Chain TQFP144, LQFP144 and QFP144



Daisy Chain Net List TQFP144, LQFP144 and QFP144

Net List		Net List		Net List		Net List	
From Pin	To Pin	From Pin	To Pin	From Pin	To Pin	From Pin	To Pin
1	2	37	38	73	74	109	110
3	4	39	40	75	76	111	112
5	6	41	42	77	78	113	114
7	8	43	44	79	80	115	116
9	10	45	46	81	82	117	118
11	12	47	48	83	84	119	120
13	14	49	50	85	86	121	122
15	16	51	52	87	88	123	124
17	18	53	54	89	90	125	126
19	20	55	56	91	92	127	128
21	22	57	58	93	94	129	130
23	24	59	60	95	96	131	132
25	26	61	62	97	98	133	134
27	28	63	64	99	100	135	136
29	30	65	66	101	102	137	138
31	32	67	68	103	104	139	140
33	34	69	70	105	106	141	142
35	36	71	72	107	108	143	144

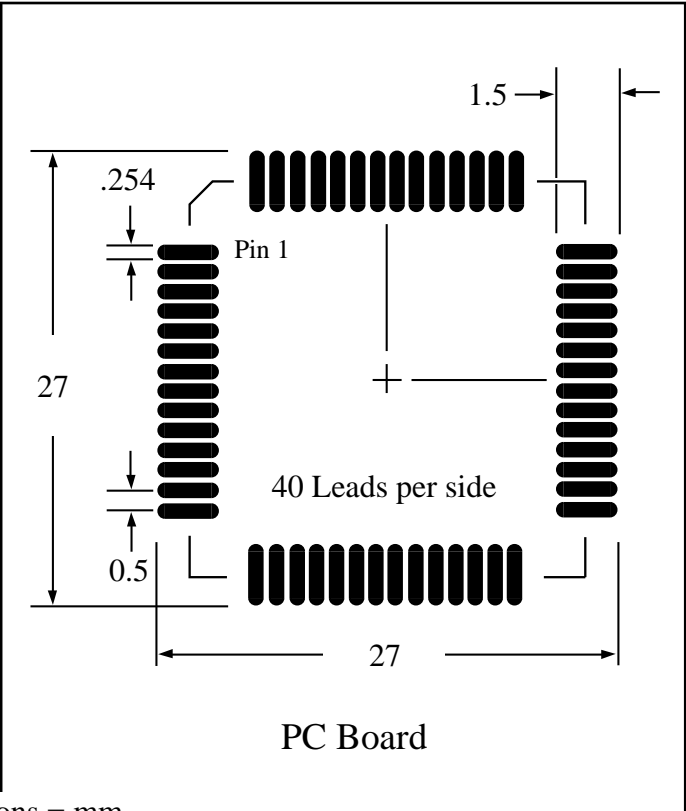
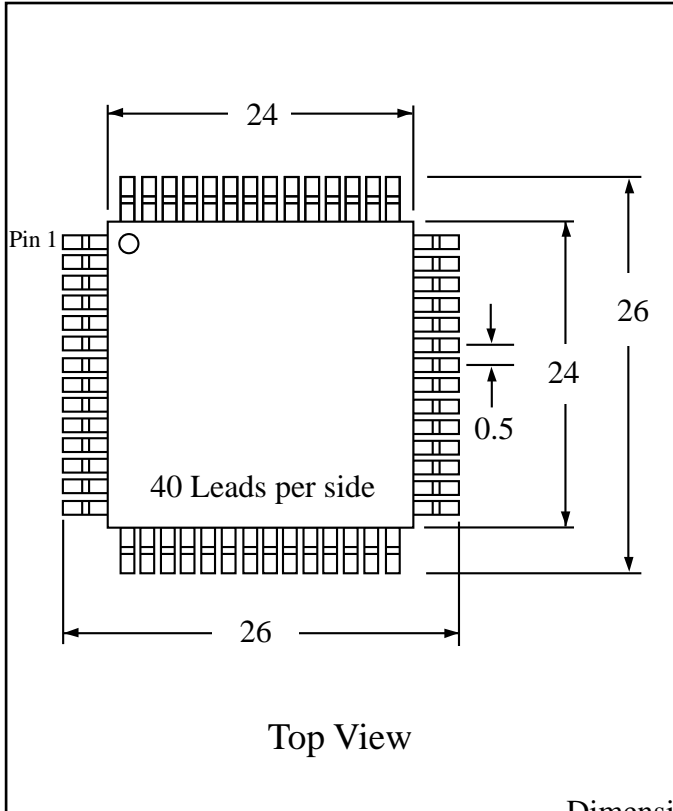
Visit www.TopLine.tv or email info@TopLine.tv for applications assistance.

Part # **LQFP160T19.7**
 Leads **160** Pitch **0.5mm**
 Body Size **24mm SQ**

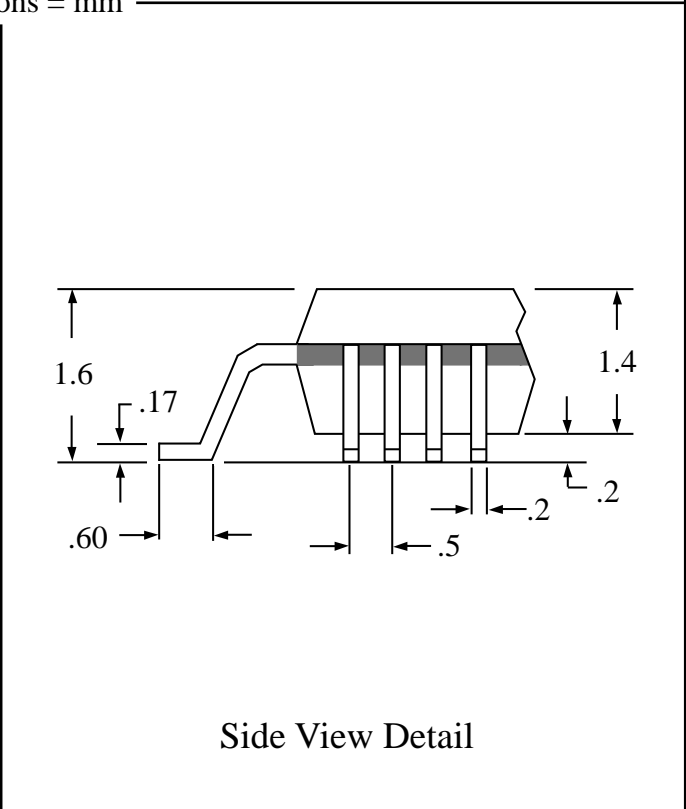
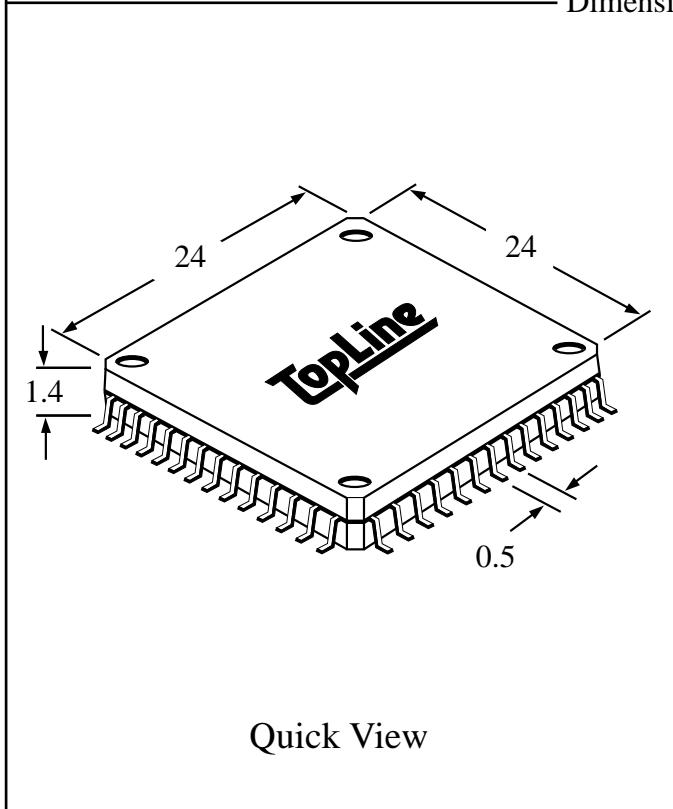
Available RoHS Pb-Free

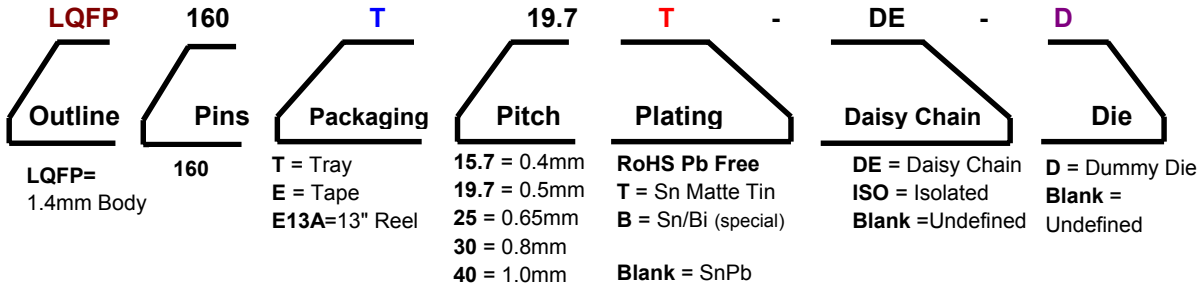


Tel 1-800-776-9888
 info@topline.tv



Dimensions = mm





Ordering Steps:

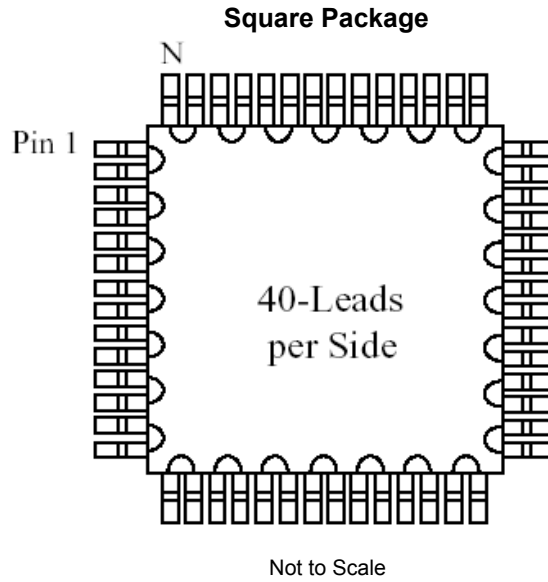
- Step 1: Select outline body thickness LQFP (1.4mm).
- Step 2: Choose packaging. Tray is standard. Tape and Reel is available.
- Step 3: Select plating requirements. RoHS Pb-Free or SnPb
- Step 4: Select options according to your application. See chart below.

Part Number Packaged in Tray (Standard)	Options				Applications					
	Plating	Daisy Chain	Dummy Die	Isolated Pins	Mounting Practice	Rework Solder Practice	Reflow Temperature Profiling	Continuity Test	Life Cycle Test	S.I.R. Test
LQFP160T19.7	SnPb	No	No	No	x	x				
LQFP160T19.7T	Pb-Free	No	No	No	x	x				
LQFP160T19.7-DE-D	SnPb	Yes	Yes	No	x	x	x	x	x	
LQFP160T19.7T-DE-D	Pb-Free	Yes	Yes	No	x	x	x	x	x	
LQFP160T19.7-ISO	SnPb	No	No	Yes	x	x	x			x
LQFP160T19.7T-ISO	Pb-Free	No	No	Yes	x	x	x			x

Part Number Packaged in Tape and Reel	Options				Applications					
	Plating	Daisy Chain	Dummy Die	Isolated Pins	Mounting Practice	Rework Solder Practice	Reflow Temperature Profiling	Continuity Test	Life Cycle Test	S.I.R. Test
LQFP160E13A19.7	SnPb	No	No	No	x	x				
LQFP160E13A19.7T	Pb-Free	No	No	No	x	x				
LQFP160E13A19.7-DE-D	SnPb	Yes	Yes	No	x	x	x	x	x	
LQFP160E13A19.7T-DE-D	Pb-Free	Yes	Yes	No	x	x	x	x	x	
LQFP160E13A19.7-ISO	SnPb	No	No	Yes	x	x	x			x
LQFP160E13A19.7T-ISO	Pb-Free	No	No	Yes	x	x	x			x

Visit www.TopLine.tv or email info@TopLine.tv for applications assistance.

Daisy Chain LQFP160 and QFP160



Daisy Chain Net List LQFP160 and QFP160

Net List		Net List		Net List		Net List	
From Pin	To Pin	From Pin	To Pin	From Pin	To Pin	From Pin	To Pin
1	2	41	42	81	82	121	122
3	4	43	44	83	84	123	124
5	6	45	46	85	86	125	126
7	8	47	48	87	88	127	128
9	10	49	50	89	90	129	130
11	12	51	52	91	92	131	132
13	14	53	54	93	94	133	134
15	16	55	56	95	96	135	136
17	18	57	58	97	98	137	138
19	20	59	60	99	100	139	140
21	22	61	62	101	102	141	142
23	24	63	64	103	104	143	144
25	26	65	66	105	106	145	146
27	28	67	68	107	108	147	148
29	30	69	70	109	110	149	150
31	32	71	72	111	112	151	152
33	34	73	74	113	114	153	154
35	36	75	76	115	116	155	156
37	38	77	78	117	118	157	158
39	40	79	80	119	120	159	160

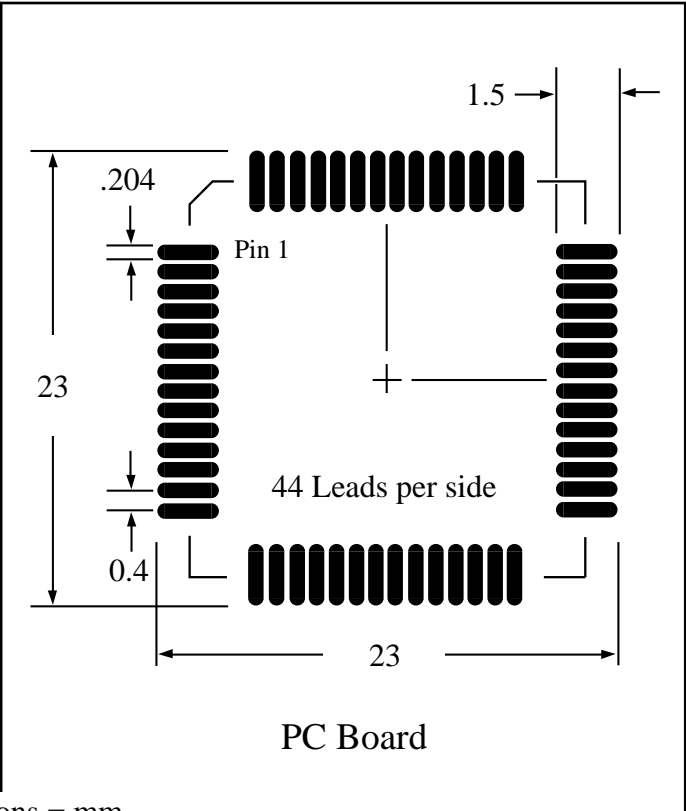
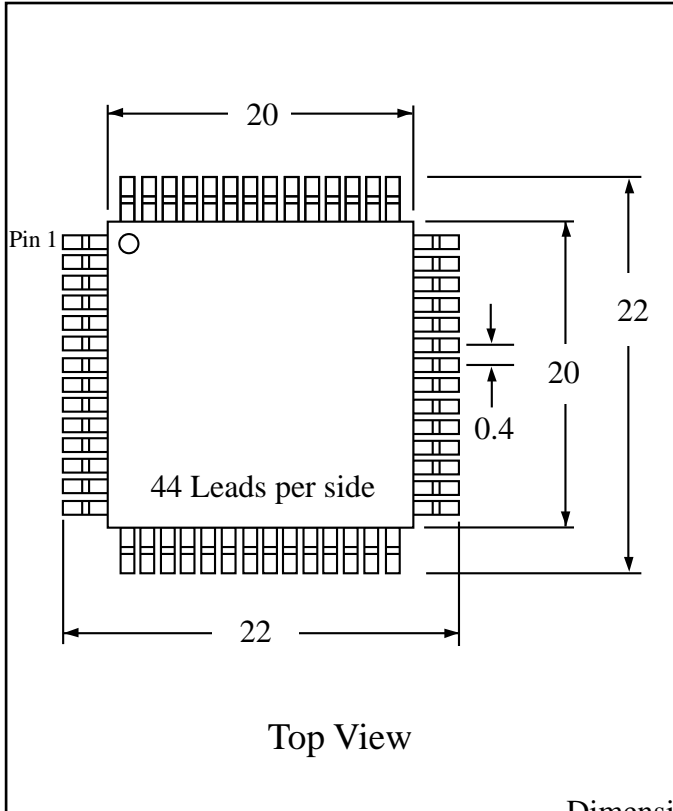
Visit www.TopLine.tv or email info@TopLine.tv for applications assistance.

Part # **LQFP176T15.7**
 Leads **176** Pitch **0.4mm**
 Body Size **20mm SQ**

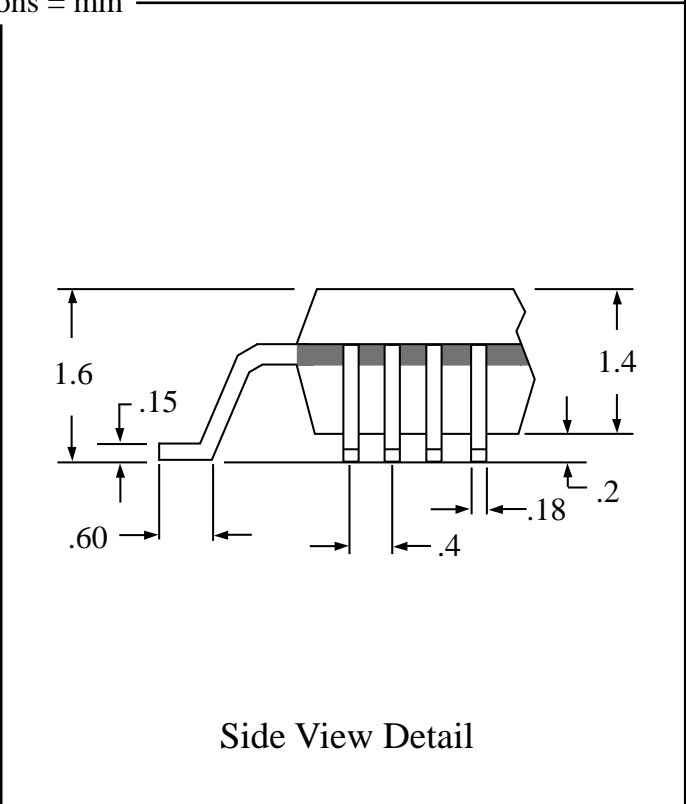
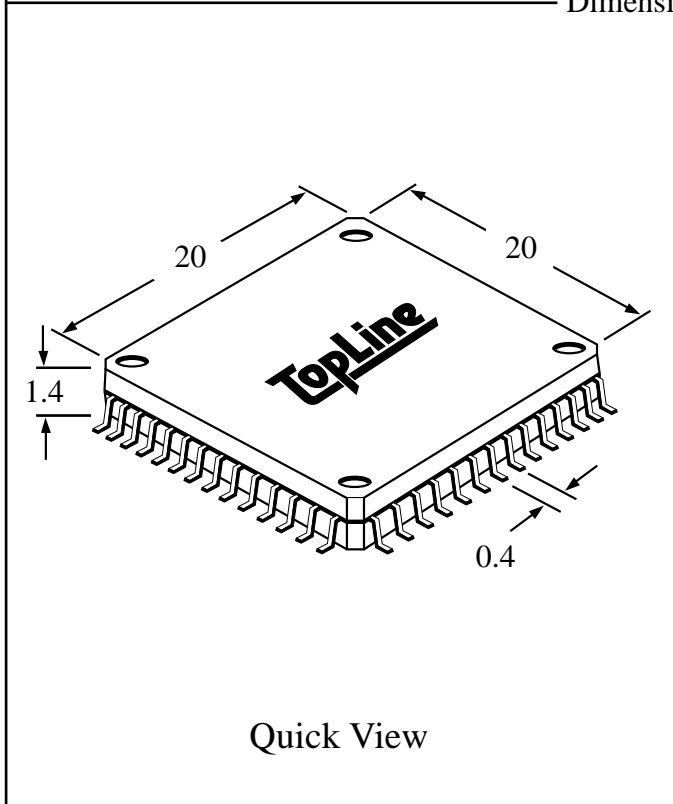
Available RoHS Pb-Free

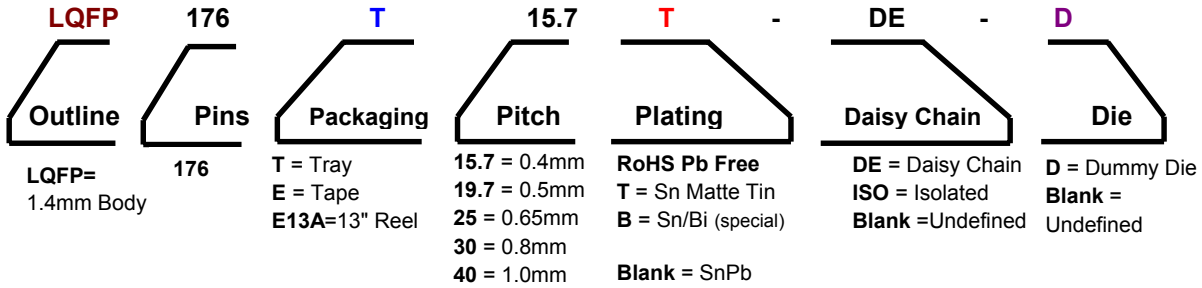


Tel 1-800-776-9888
 info@topline.tv



Dimensions = mm





Ordering Steps:

- Step 1: Select outline body thickness LQFP (1.4mm).
- Step 2: Choose packaging. Tray is standard. Tape and Reel is available.
- Step 3: Select plating requirements. RoHS Pb-Free or SnPb
- Step 4: Select options according to your application. See chart below.

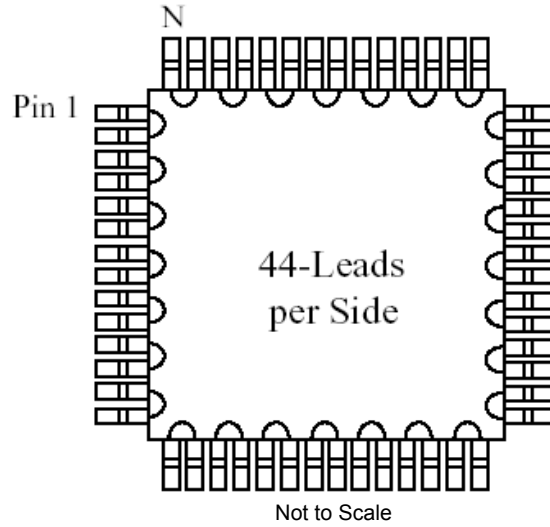
Part Number Packaged in Tray (Standard)	Options				Applications					
	Plating	Daisy Chain	Dummy Die	Isolated Pins	Mounting Practice	Rework Solder Practice	Reflow Temperature Profiling	Continuity Test	Life Cycle Test	S.I.R. Test
LQFP176T15.7	SnPb	No	No	No	x	x				
LQFP176T15.7T	Pb-Free	No	No	No	x	x				
LQFP176T15.7-DE-D	SnPb	Yes	Yes	No	x	x	x	x	x	
LQFP176T15.7T-DE-D	Pb-Free	Yes	Yes	No	x	x	x	x	x	
LQFP176T15.7-ISO	SnPb	No	No	Yes	x	x	x			x
LQFP176T15.7T-ISO	Pb-Free	No	No	Yes	x	x	x			x

Part Number Packaged in Tape and Reel	Options				Applications					
	Plating	Daisy Chain	Dummy Die	Isolated Pins	Mounting Practice	Rework Solder Practice	Reflow Temperature Profiling	Continuity Test	Life Cycle Test	S.I.R. Test
LQFP176E13A15.7	SnPb	No	No	No	x	x				
LQFP176E13A15.7T	Pb-Free	No	No	No	x	x				
LQFP176E13A15.7-DE-D	SnPb	Yes	Yes	No	x	x	x	x	x	
LQFP176E13A15.7T-DE-D	Pb-Free	Yes	Yes	No	x	x	x	x	x	
LQFP176E13A15.7-ISO	SnPb	No	No	Yes	x	x	x			x
LQFP176E13A15.7T-ISO	Pb-Free	No	No	Yes	x	x	x			x

Visit www.TopLine.tv or email info@TopLine.tv for applications assistance.

Daisy Chain LQFP176

Square Package



Daisy Chain Net List LQFP176

Net List	
From Pin	To Pin
1	2
3	4
5	6
7	8
9	10
11	12
13	14
15	16
17	18
19	20
21	22
23	24
25	26
27	28
29	30
31	32
33	34
35	36
37	38
39	40
41	42
43	44

Net List	
From Pin	To Pin
45	46
47	48
49	50
51	52
53	54
55	56
57	58
59	60
61	62
63	64
65	66
67	68
69	70
71	72
73	74
75	76
77	78
79	80
81	82
83	84
85	86
87	88

Net List	
From Pin	To Pin
89	90
91	92
93	94
95	96
97	98
99	100
101	102
103	104
105	106
107	108
109	110
111	112
113	114
115	116
117	118
119	120
121	122
123	124
125	126
127	128
129	130
131	132

Net List	
From Pin	To Pin
133	134
135	136
137	138
139	140
141	142
143	144
145	146
147	148
149	150
151	152
153	154
155	156
157	158
159	160
161	162
163	164
165	166
167	168
169	170
171	172
173	174
175	176

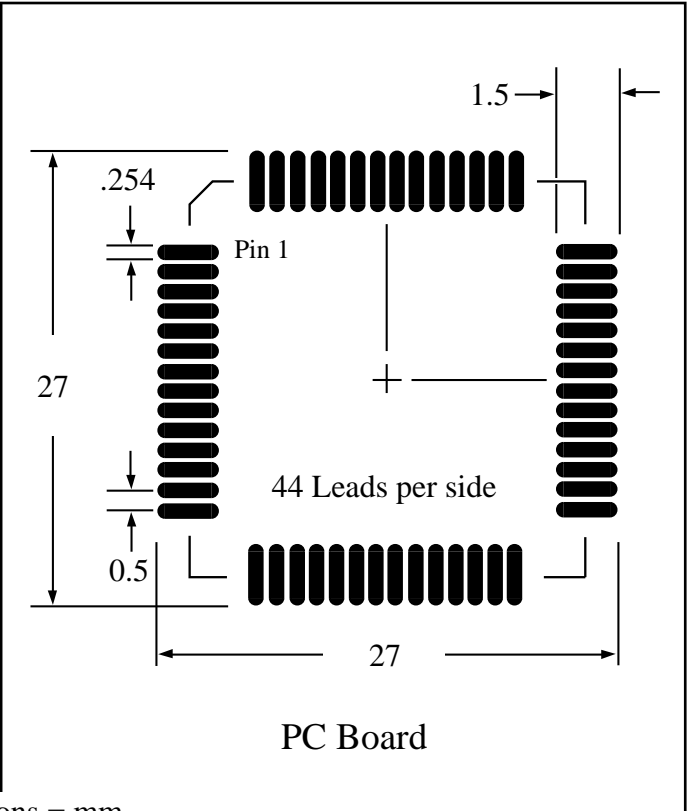
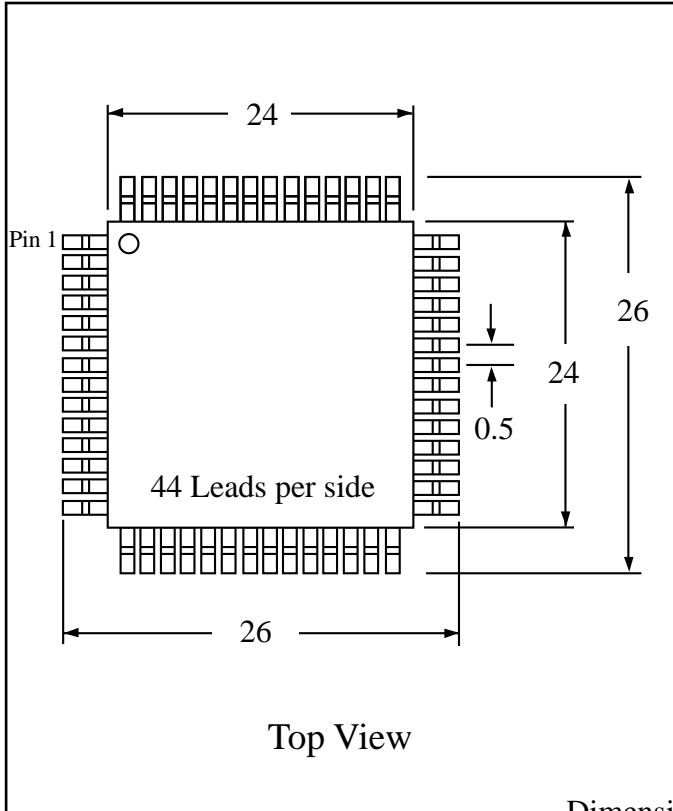
Visit www.TopLine.tv or email info@TopLine.tv for applications assistance.

Part # **LQFP176T19.7**
 Leads **176** Pitch **0.5mm**
 Body Size **24mm SQ**

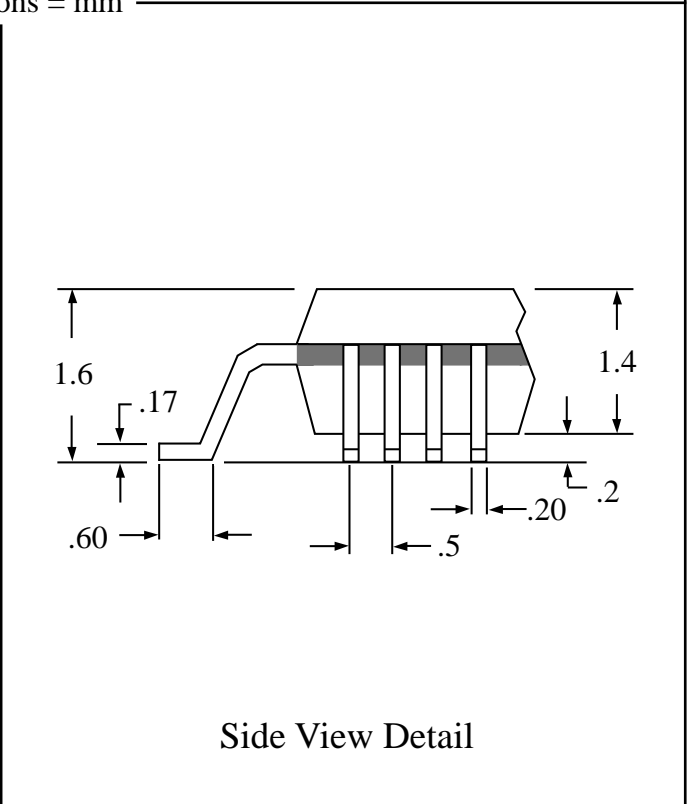
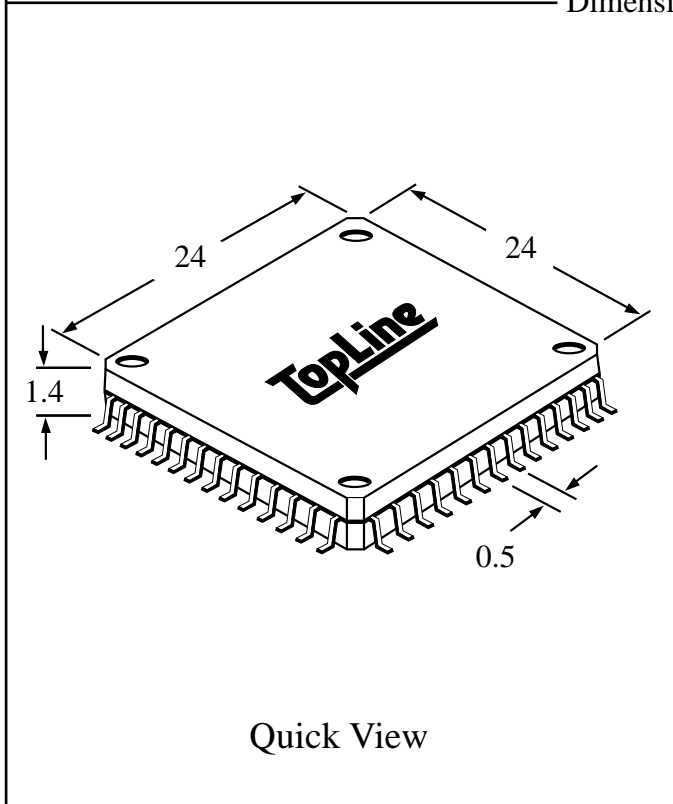
Available RoHS Pb-Free

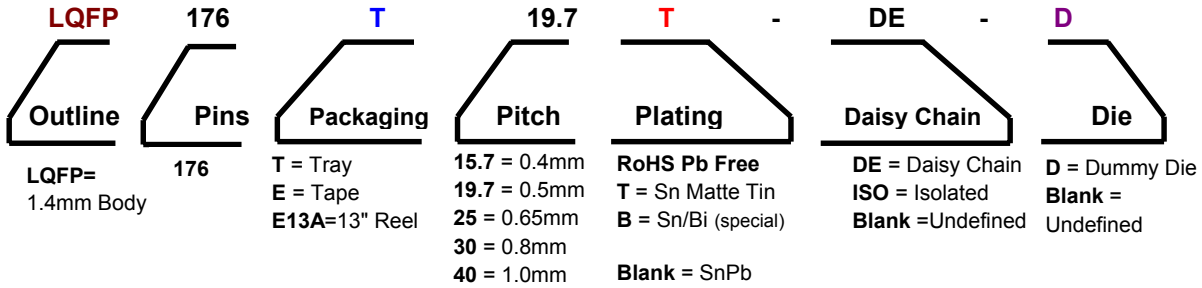


Tel 1-800-776-9888
 info@topline.tv



Dimensions = mm





Ordering Steps:

- Step 1: Select outline body thickness LQFP (1.4mm).
- Step 2: Choose packaging. Tray is standard. Tape and Reel is available.
- Step 3: Select plating requirements. RoHS Pb-Free or SnPb
- Step 4: Select options according to your application. See chart below.

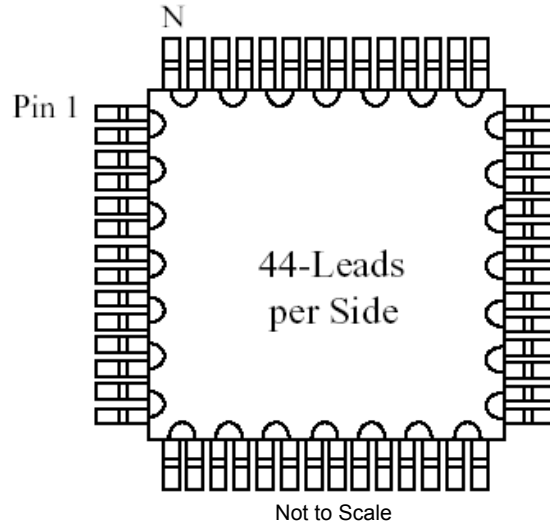
Part Number Packaged in Tray (Standard)	Options				Applications					
	Plating	Daisy Chain	Dummy Die	Isolated Pins	Mounting Practice	Rework Solder Practice	Reflow Temperature Profiling	Continuity Test	Life Cycle Test	S.I.R. Test
LQFP176T19.7	SnPb	No	No	No	x	x				
LQFP176T19.7T	Pb-Free	No	No	No	x	x				
LQFP176T19.7-DE-D	SnPb	Yes	Yes	No	x	x	x	x	x	
LQFP176T19.7T-DE-D	Pb-Free	Yes	Yes	No	x	x	x	x	x	
LQFP176T19.7-ISO	SnPb	No	No	Yes	x	x	x			x
LQFP176T19.7T-ISO	Pb-Free	No	No	Yes	x	x	x			x

Part Number Packaged in Tape and Reel	Options				Applications					
	Plating	Daisy Chain	Dummy Die	Isolated Pins	Mounting Practice	Rework Solder Practice	Reflow Temperature Profiling	Continuity Test	Life Cycle Test	S.I.R. Test
LQFP176E13A19.7	SnPb	No	No	No	x	x				
LQFP176E13A19.7T	Pb-Free	No	No	No	x	x				
LQFP176E13A19.7-DE-D	SnPb	Yes	Yes	No	x	x	x	x	x	
LQFP176E13A19.7T-DE-D	Pb-Free	Yes	Yes	No	x	x	x	x	x	
LQFP176E13A19.7-ISO	SnPb	No	No	Yes	x	x	x			x
LQFP176E13A19.7T-ISO	Pb-Free	No	No	Yes	x	x	x			x

Visit www.TopLine.tv or email info@TopLine.tv for applications assistance.

Daisy Chain LQFP176

Square Package



Daisy Chain Net List LQFP176

Net List	
From Pin	To Pin
1	2
3	4
5	6
7	8
9	10
11	12
13	14
15	16
17	18
19	20
21	22
23	24
25	26
27	28
29	30
31	32
33	34
35	36
37	38
39	40
41	42
43	44

Net List	
From Pin	To Pin
45	46
47	48
49	50
51	52
53	54
55	56
57	58
59	60
61	62
63	64
65	66
67	68
69	70
71	72
73	74
75	76
77	78
79	80
81	82
83	84
85	86
87	88

Net List	
From Pin	To Pin
89	90
91	92
93	94
95	96
97	98
99	100
101	102
103	104
105	106
107	108
109	110
111	112
113	114
115	116
117	118
119	120
121	122
123	124
125	126
127	128
129	130
131	132

Net List	
From Pin	To Pin
133	134
135	136
137	138
139	140
141	142
143	144
145	146
147	148
149	150
151	152
153	154
155	156
157	158
159	160
161	162
163	164
165	166
167	168
169	170
171	172
173	174
175	176

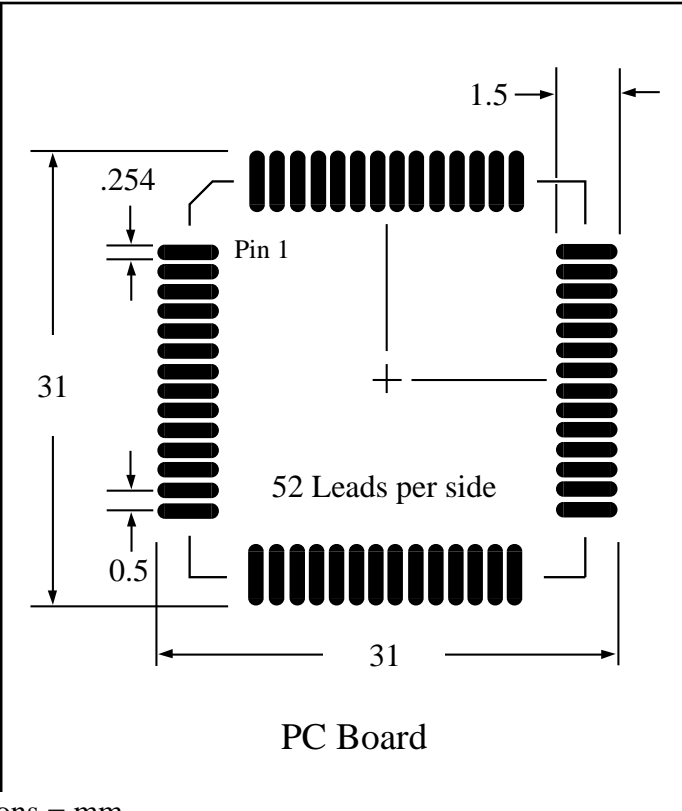
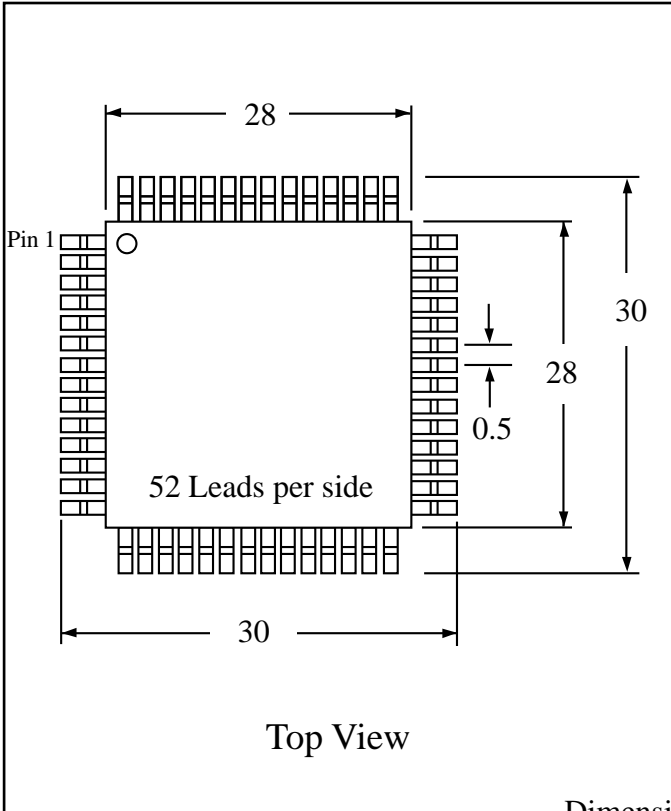
Visit www.TopLine.tv or email info@TopLine.tv for applications assistance.

Part # **LQFP208T19.7**
 Leads **208** Pitch **0.5mm**
 Body Size **28mm SQ**

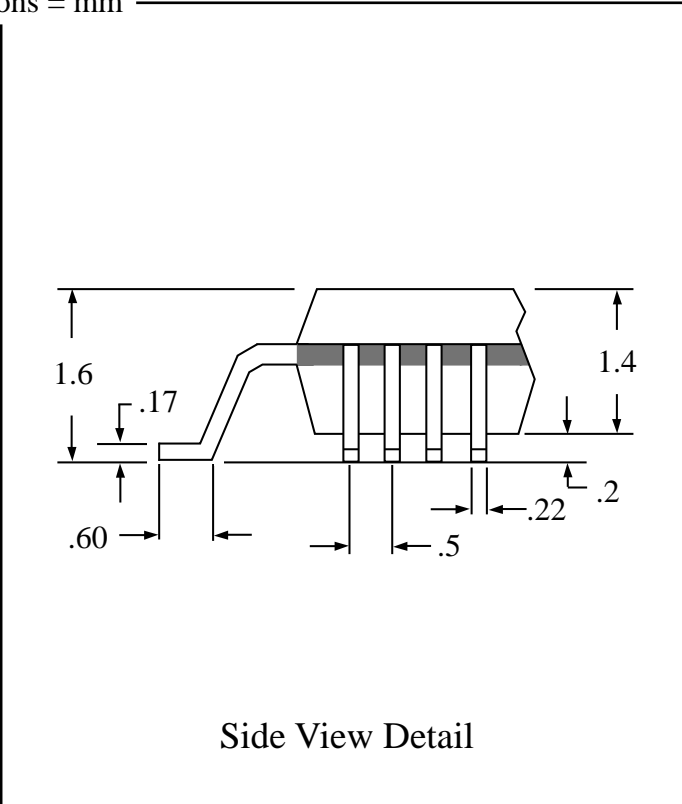
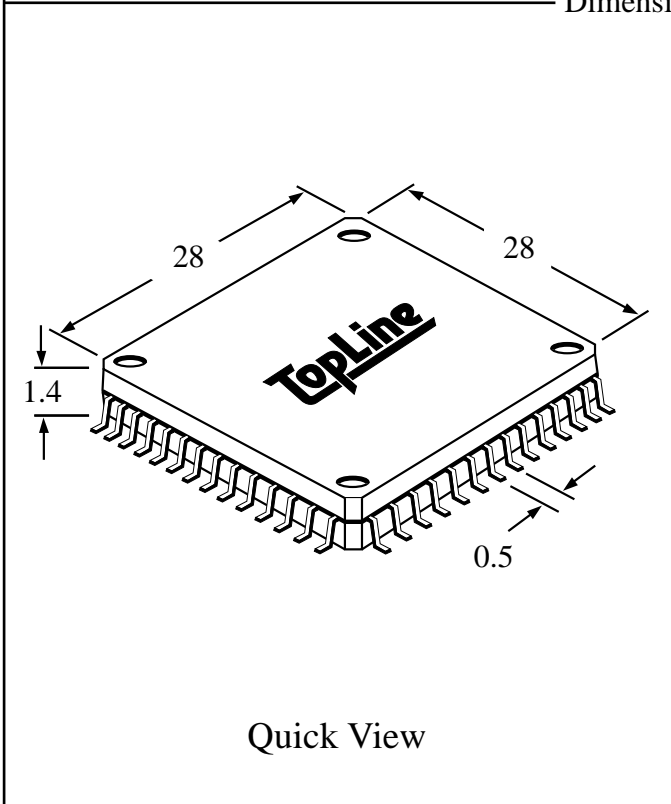
Available RoHS Pb-Free

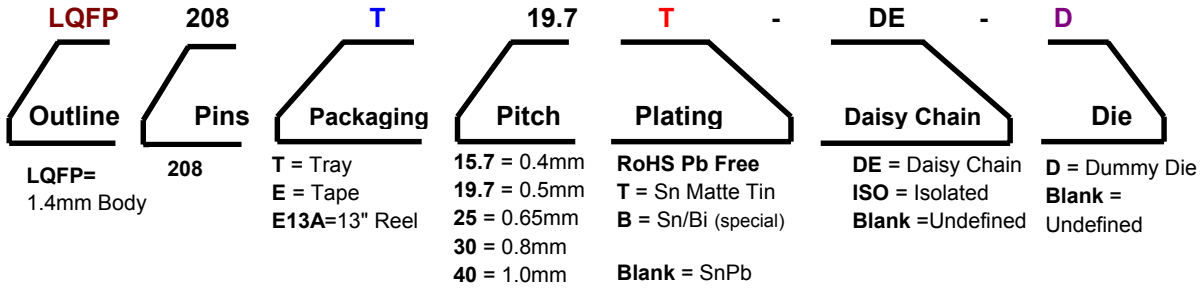


Tel 1-800-776-9888
 info@topline.tv



Dimensions = mm





Ordering Steps:

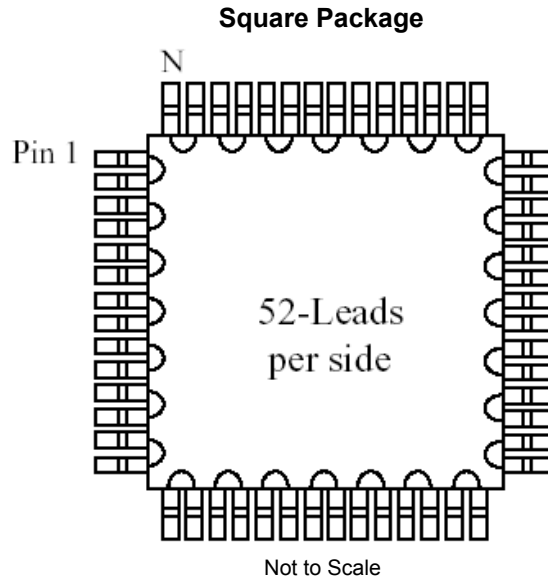
- Step 1: Select outline body thickness LQFP (1.4mm).
- Step 2: Choose packaging. Tray is standard. Tape and Reel is available.
- Step 3: Select plating requirements. RoHS Pb-Free or SnPb
- Step 4: Select options according to your application. See chart below.

Part Number Packaged in Tray (Standard)	Options				Applications					
	Plating	Daisy Chain	Dummy Die	Isolated Pins	Mounting Practice	Rework Solder Practice	Reflow Temperature Profiling	Continuity Test	Life Cycle Test	S.I.R. Test
LQFP208T19.7	SnPb	No	No	No	x	x				
LQFP208T19.7T	Pb-Free	No	No	No	x	x				
LQFP208T19.7-DE-D	SnPb	Yes	Yes	No	x	x	x	x	x	
LQFP208T19.7T-DE-D	Pb-Free	Yes	Yes	No	x	x	x	x	x	
LQFP208T19.7-ISO	SnPb	No	No	Yes	x	x	x			x
LQFP208T19.7T-ISO	Pb-Free	No	No	Yes	x	x	x			x

Part Number Packaged in Tape and Reel	Options				Applications					
	Plating	Daisy Chain	Dummy Die	Isolated Pins	Mounting Practice	Rework Solder Practice	Reflow Temperature Profiling	Continuity Test	Life Cycle Test	S.I.R. Test
LQFP208E13A19.7	SnPb	No	No	No	x	x				
LQFP208E13A19.7T	Pb-Free	No	No	No	x	x				
LQFP208E13A19.7-DE-D	SnPb	Yes	Yes	No	x	x	x	x	x	
LQFP208E13A19.7T-DE-D	Pb-Free	Yes	Yes	No	x	x	x	x	x	
LQFP208E13A19.7-ISO	SnPb	No	No	Yes	x	x	x			x
LQFP208E13A19.7T-ISO	Pb-Free	No	No	Yes	x	x	x			x

Visit www.TopLine.tv or email info@TopLine.tv for applications assistance.

Daisy Chain LQFP208 and QFP208



Daisy Chain Net List LQFP208 and QFP208

Net List	
From Pin	To Pin
1	2
3	4
5	6
7	8
9	10
11	12
13	14
15	16
17	18
19	20
21	22
23	24
25	26
27	28
29	30
31	32
33	34
35	36
37	38
39	40
41	42

Net List	
From Pin	To Pin
43	44
45	46
47	48
49	50
51	52
53	54
55	56
57	58
59	60
61	62
63	64
65	66
67	68
69	70
71	72
73	74
75	76
77	78
79	80
81	82
83	84

Net List	
From Pin	To Pin
85	86
87	88
89	90
91	92
93	94
95	96
97	98
99	100
101	102
103	104
105	106
107	108
109	110
111	112
113	114
115	116
117	118
119	120
121	122
123	124
125	126

Net List	
From Pin	To Pin
127	128
129	130
131	132
133	134
135	136
137	138
139	140
141	142
143	144
145	146
147	148
149	150
151	152
153	154
155	156
157	158
159	160
161	162
163	164
165	166
167	168

Net List	
From Pin	To Pin
169	170
171	172
173	174
175	176
177	178
179	180
181	182
183	184
185	186
187	188
189	190
191	192
193	194
195	196
197	198
199	200
201	202
203	204
205	206
207	208

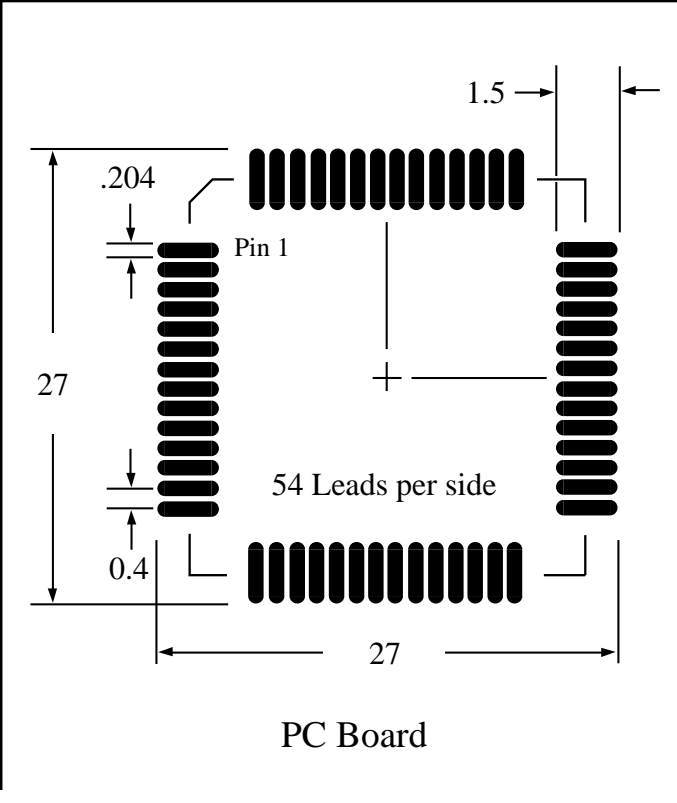
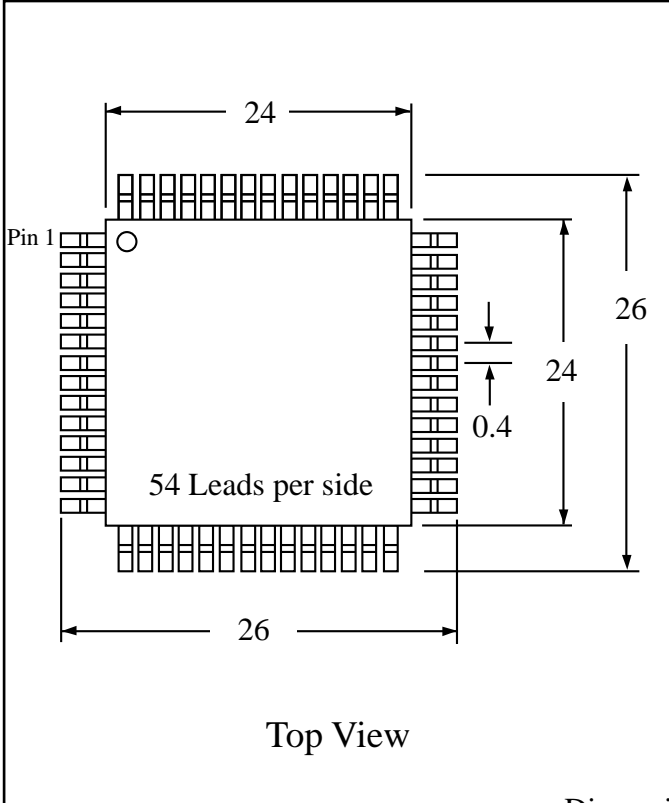
Visit www.TopLine.tv or email info@TopLine.tv for applications assistance.

Part # **LQFP216T15.7**
 Leads **216** Pitch **0.4mm**
 Body Size **24mm SQ**

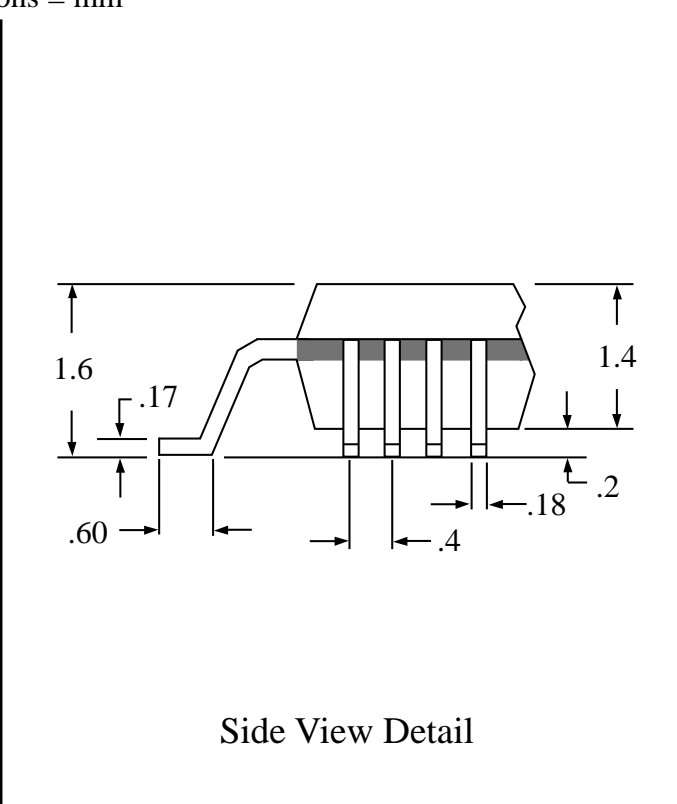
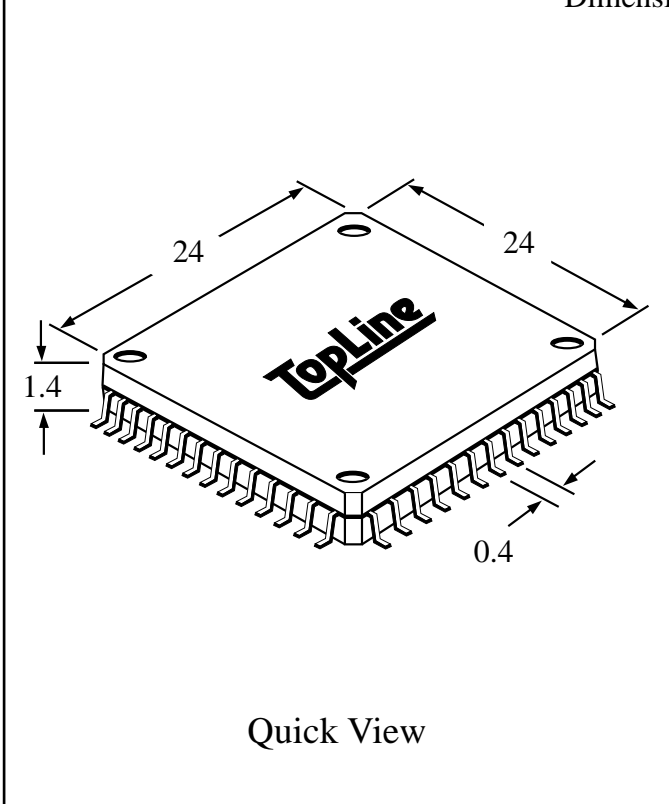
Available RoHS Pb-Free

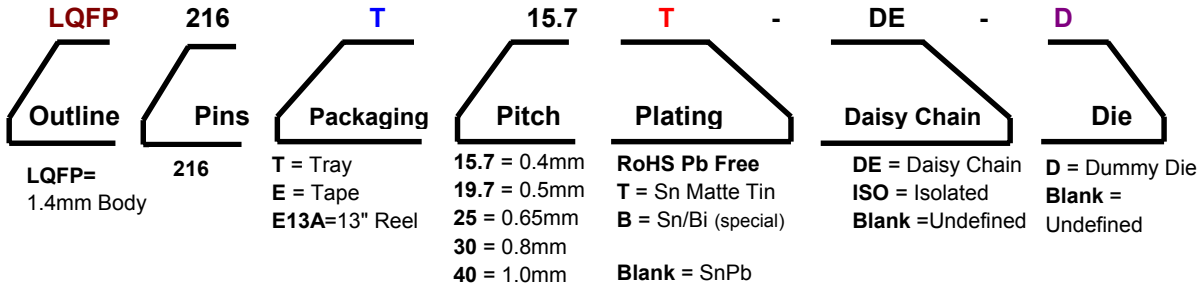


Tel 1-800-776-9888
 info@topline.tv



Dimensions = mm





Ordering Steps:

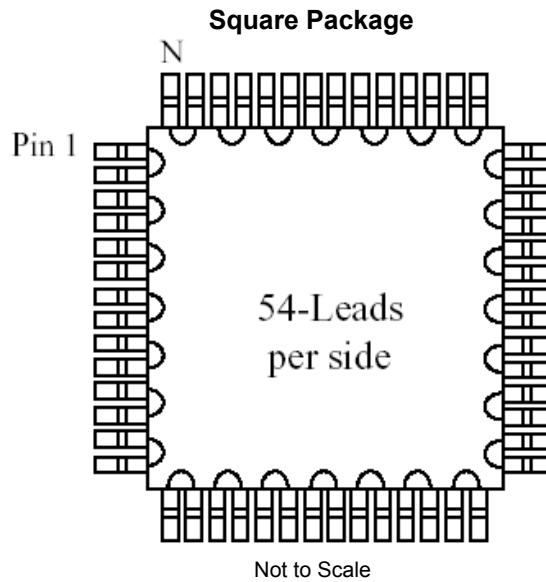
- Step 1: Select outline body thickness LQFP (1.4mm).
- Step 2: Choose packaging. Tray is standard. Tape and Reel is available.
- Step 3: Select plating requirements. RoHS Pb-Free or SnPb
- Step 4: Select options according to your application. See chart below.

Part Number Packaged in Tray (Standard)	Options				Applications					
	Plating	Daisy Chain	Dummy Die	Isolated Pins	Mounting Practice	Rework Solder Practice	Reflow Temperature Profiling	Continuity Test	Life Cycle Test	S.I.R. Test
LQFP216T15.7	SnPb	No	No	No	x	x				
LQFP216T15.7T	Pb-Free	No	No	No	x	x				
LQFP216T15.7-DE-D	SnPb	Yes	Yes	No	x	x	x	x	x	
LQFP216T15.7T-DE-D	Pb-Free	Yes	Yes	No	x	x	x	x	x	
LQFP216T15.7-ISO	SnPb	No	No	Yes	x	x	x			x
LQFP216T15.7T-ISO	Pb-Free	No	No	Yes	x	x	x			x

Part Number Packaged in Tape and Reel	Options				Applications					
	Plating	Daisy Chain	Dummy Die	Isolated Pins	Mounting Practice	Rework Solder Practice	Reflow Temperature Profiling	Continuity Test	Life Cycle Test	S.I.R. Test
LQFP216E13A15.7	SnPb	No	No	No	x	x				
LQFP216E13A15.7T	Pb-Free	No	No	No	x	x				
LQFP216E13A15.7-DE-D	SnPb	Yes	Yes	No	x	x	x	x	x	
LQFP216E13A15.7T-DE-D	Pb-Free	Yes	Yes	No	x	x	x	x	x	
LQFP216E13A15.7-ISO	SnPb	No	No	Yes	x	x	x			x
LQFP216E13A15.7T-ISO	Pb-Free	No	No	Yes	x	x	x			x

Visit www.TopLine.tv or email info@TopLine.tv for applications assistance.

Daisy Chain LQFP216



Daisy Chain Net List LQFP216

Net List	
From Pin	To Pin
1	2
3	4
5	6
7	8
9	10
11	12
13	14
15	16
17	18
19	20
21	22
23	24
25	26
27	28
29	30
31	32
33	34
35	36
37	38
39	40
41	42
43	44

Net List	
From Pin	To Pin
45	46
47	48
49	50
51	52
53	54
55	56
57	58
59	60
61	62
63	64
65	66
67	68
69	70
71	72
73	74
75	76
77	78
79	80
81	82
83	84
85	86
87	88

Net List	
From Pin	To Pin
89	90
91	92
93	94
95	96
97	98
99	100
101	102
103	104
105	106
107	108
109	110
111	112
113	114
115	116
117	118
119	120
121	122
123	124
125	126
127	128
129	130
131	132

Net List	
From Pin	To Pin
133	134
135	136
137	138
139	140
141	142
143	144
145	146
147	148
149	150
151	152
153	154
155	156
157	158
159	160
161	162
163	164
165	166
167	168
169	170
171	172
173	174
175	176

Net List	
From Pin	To Pin
177	178
179	180
181	182
183	184
185	186
187	188
189	190
191	192
193	194
195	196
197	198
199	200
201	202
203	204
205	206
207	208
209	210
211	212
213	214
215	216

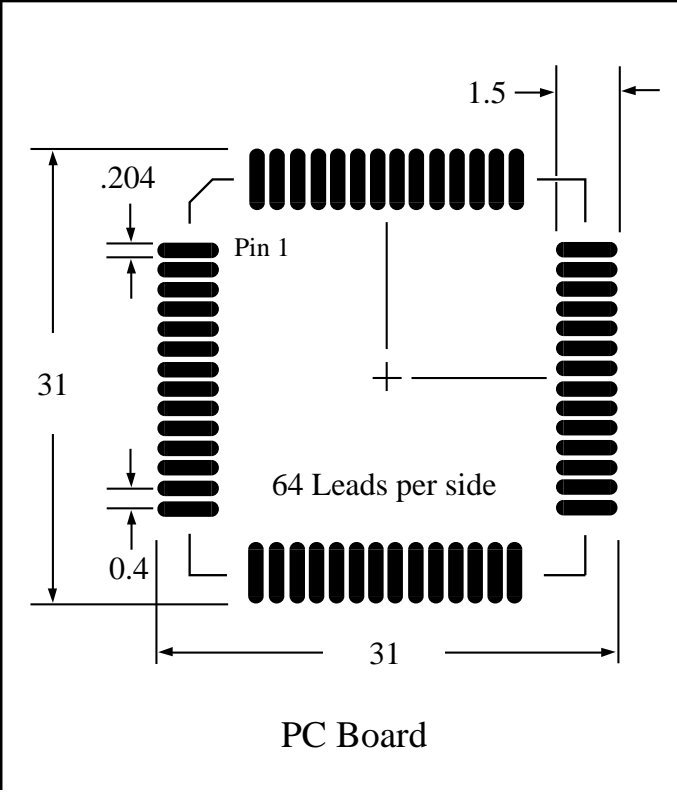
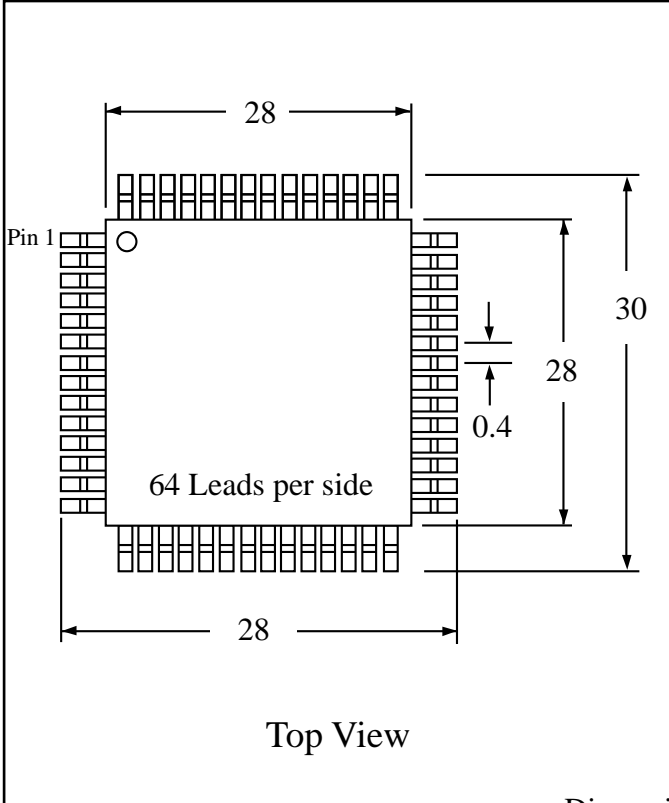
Visit www.TopLine.tv or email info@TopLine.tv for applications assistance.

Part # **LQFP256T15.7**
 Leads **256** Pitch **0.4mm**
 Body Size **28mm SQ**

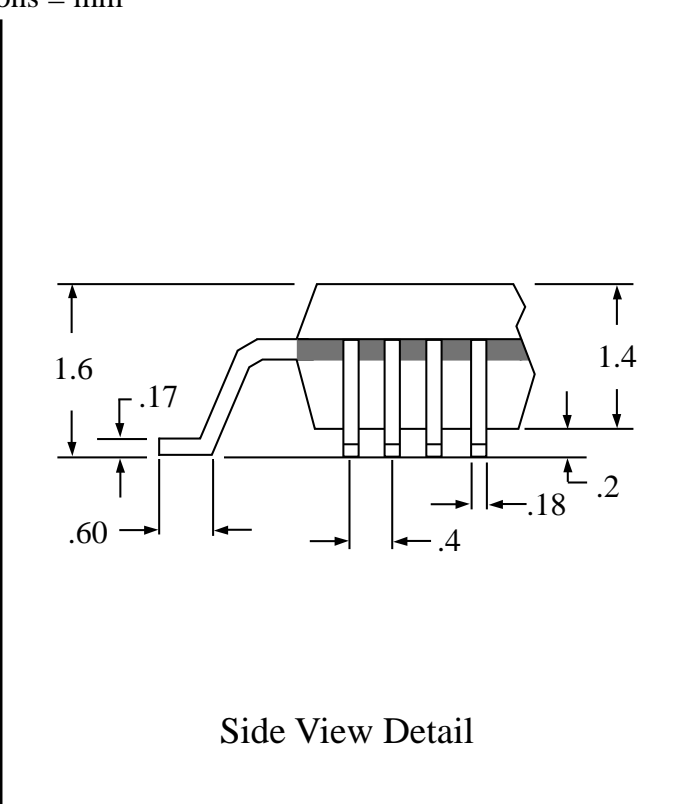
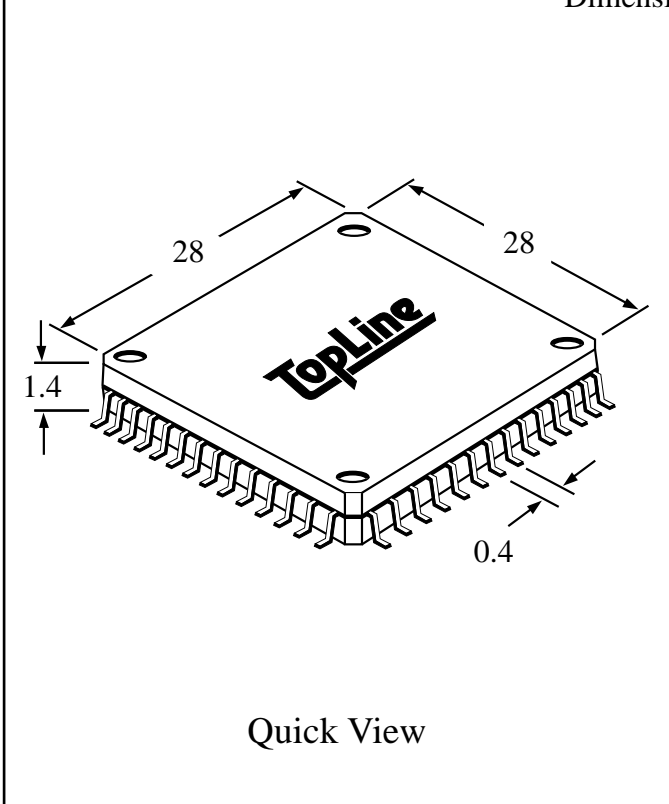
Available RoHS Pb-Free

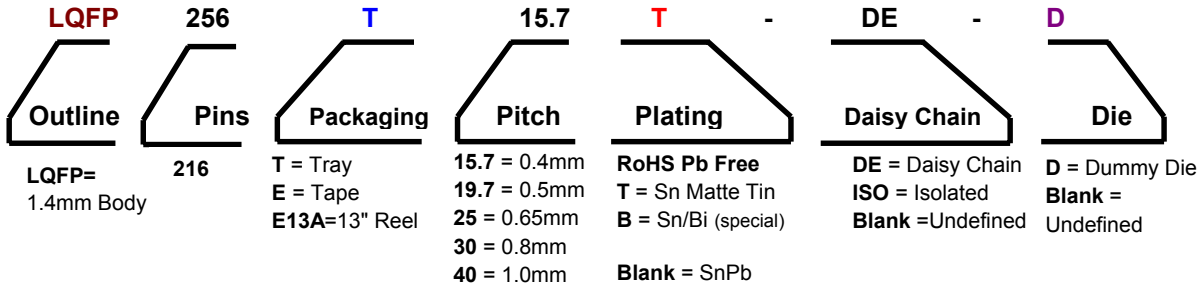


Tel 1-800-776-9888
 info@topline.tv



Dimensions = mm





Ordering Steps:

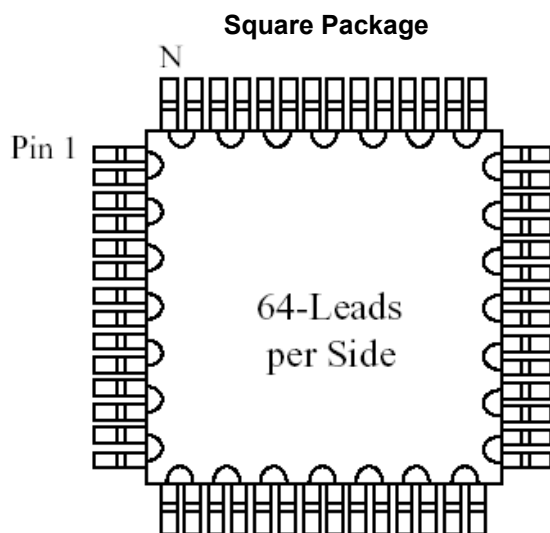
- Step 1: Select outline body thickness LQFP (1.4mm).
- Step 2: Choose packaging. Tray is standard. Tape and Reel is available.
- Step 3: Select plating requirements. RoHS Pb-Free or SnPb
- Step 4: Select options according to your application. See chart below.

Part Number Packaged in Tray (Standard)	Options				Applications					
	Plating	Daisy Chain	Dummy Die	Isolated Pins	Mounting Practice	Rework Solder Practice	Reflow Temperature Profiling	Continuity Test	Life Cycle Test	S.I.R. Test
LQFP256T15.7	SnPb	No	No	No	x	x				
LQFP256T15.7T	Pb-Free	No	No	No	x	x				
LQFP256T15.7-DE-D	SnPb	Yes	Yes	No	x	x	x	x	x	
LQFP256T15.7T-DE-D	Pb-Free	Yes	Yes	No	x	x	x	x	x	
LQFP256T15.7-ISO	SnPb	No	No	Yes	x	x	x			x
LQFP256T15.7T-ISO	Pb-Free	No	No	Yes	x	x	x			x

Part Number Packaged in Tape and Reel	Options				Applications					
	Plating	Daisy Chain	Dummy Die	Isolated Pins	Mounting Practice	Rework Solder Practice	Reflow Temperature Profiling	Continuity Test	Life Cycle Test	S.I.R. Test
LQFP256E13A15.7	SnPb	No	No	No	x	x				
LQFP256E13A15.7T	Pb-Free	No	No	No	x	x				
LQFP256E13A15.7-DE-D	SnPb	Yes	Yes	No	x	x	x	x	x	
LQFP256E13A15.7T-DE-D	Pb-Free	Yes	Yes	No	x	x	x	x	x	
LQFP256E13A15.7-ISO	SnPb	No	No	Yes	x	x	x			x
LQFP256E13A15.7T-ISO	Pb-Free	No	No	Yes	x	x	x			x

Visit www.TopLine.tv or email info@TopLine.tv for applications assistance.

Daisy Chain LQFP256 and QFP256



Not to Scale

Daisy Chain Net List LQFP256 and QFP256

Net List	
From Pin	To Pin
1	2
3	4
5	6
7	8
9	10
11	12
13	14
15	16
17	18
19	20
21	22
23	24
25	26
27	28
29	30
31	32
33	34
35	36
37	38
39	40
41	42
43	44
45	46
47	48
49	50
51	52

Net List	
From Pin	To Pin
53	54
55	56
57	58
59	60
61	62
63	64
65	66
67	68
69	70
71	72
73	74
75	76
77	78
79	80
81	82
83	84
85	86
87	88
89	90
91	92
93	94
95	96
97	98
99	100
101	102
103	104

Net List	
From Pin	To Pin
105	106
107	108
109	110
111	112
113	114
115	116
117	118
119	120
121	122
123	124
125	126
127	128
129	130
131	132
133	134
135	136
137	138
139	140
141	142
143	144
145	146
147	148
149	150
151	152
153	154
155	156

Net List	
From Pin	To Pin
157	158
159	160
161	162
163	164
165	166
167	168
169	170
171	172
173	174
175	176
177	178
179	180
181	182
183	184
185	186
187	188
189	190
191	192
193	194
195	196
197	198
199	200
201	202
203	204
205	206
207	208

Net List	
From Pin	To Pin
209	210
211	212
213	214
215	216
217	218
219	220
221	222
223	224
225	226
227	228
229	230
231	232
233	234
235	236
237	238
239	240
241	242
243	244
245	246
247	248
249	250
251	252
253	254
255	256

Visit www.TopLine.tv or email info@TopLine.tv for applications assistance.