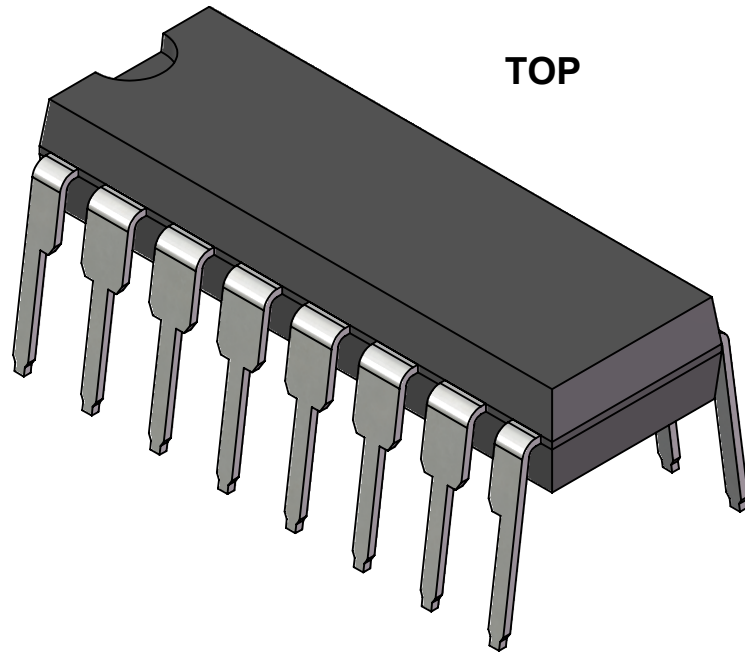


NOTES: (UNLESS OTHERWISE STATED)

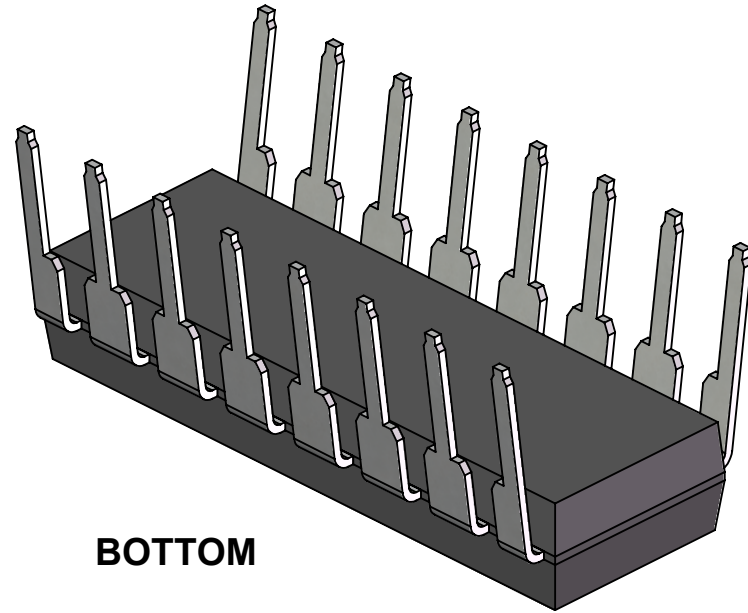
1. DIMENSIONS INCH (NOMINAL).
2. DIMENSIONS DO NOT INCLUDE MOLD FLASH OR PROTUSIONS.
3. JEDEC OUTLINE MS-001 BB.

APPROVALS	DATE	TopLine®			
DRAWN T. Au	10/23/2022				
ENG M. Hart	10/23/2022	TITLE DIP16M3-T-ISO 300MIL PDIP BODY			
MFG		SCALE	SIZE	DRAWING NO.	REV
QA		5:1	A	171016	A
CUST		DO NOT SCALE DRAWING			SHEET 1 OF 4
REVISED					

MODELS



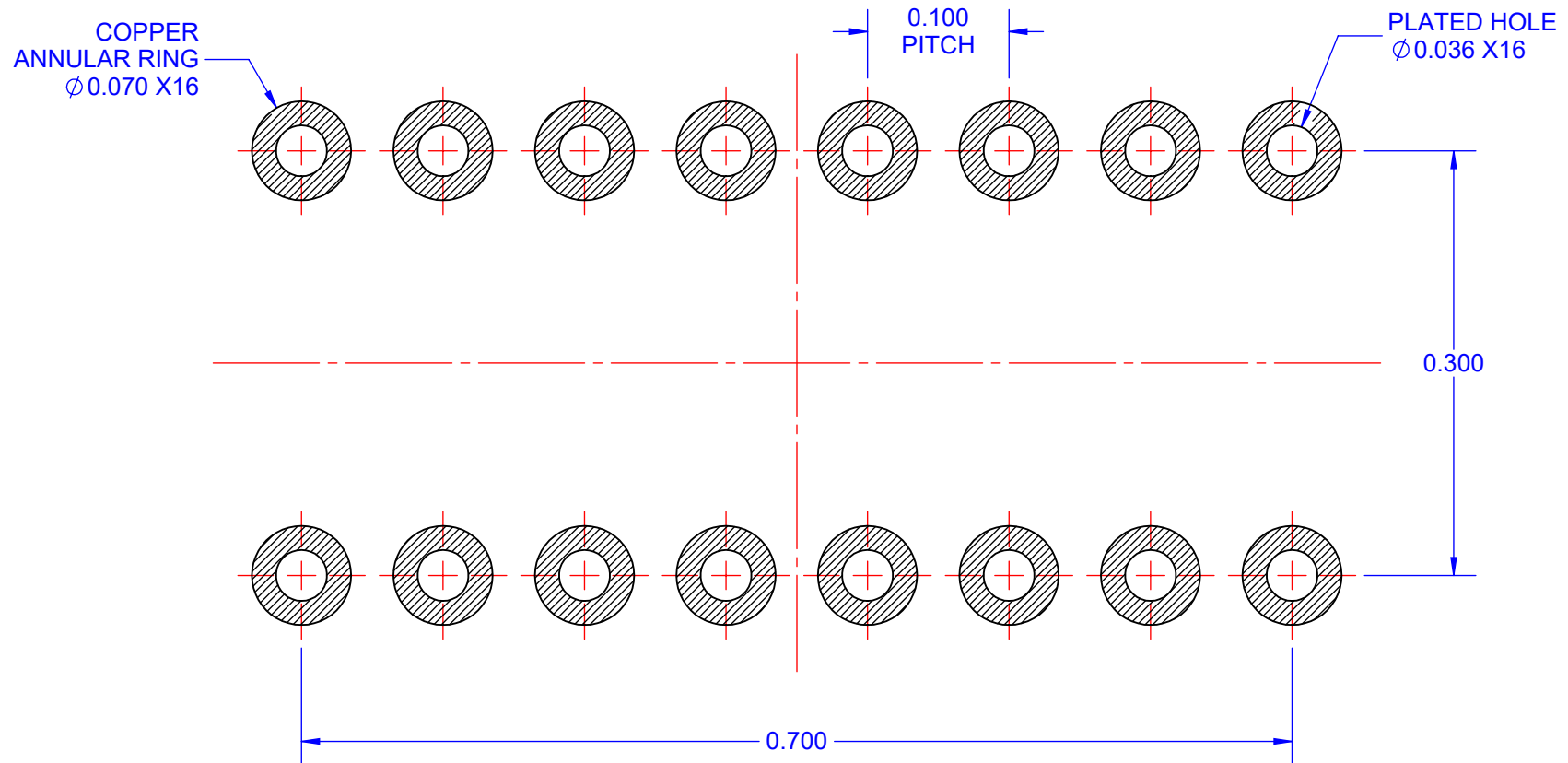
TOP



BOTTOM

TopLine[®]			
TITLE		DIP16M3-T-ISO 16L PDIP 300 MILS	
SCALE	SIZE	DRAWING NO.	REV
5:1	A	171016	A
DO NOT SCALE DRAWING			SHEET 2 OF 4

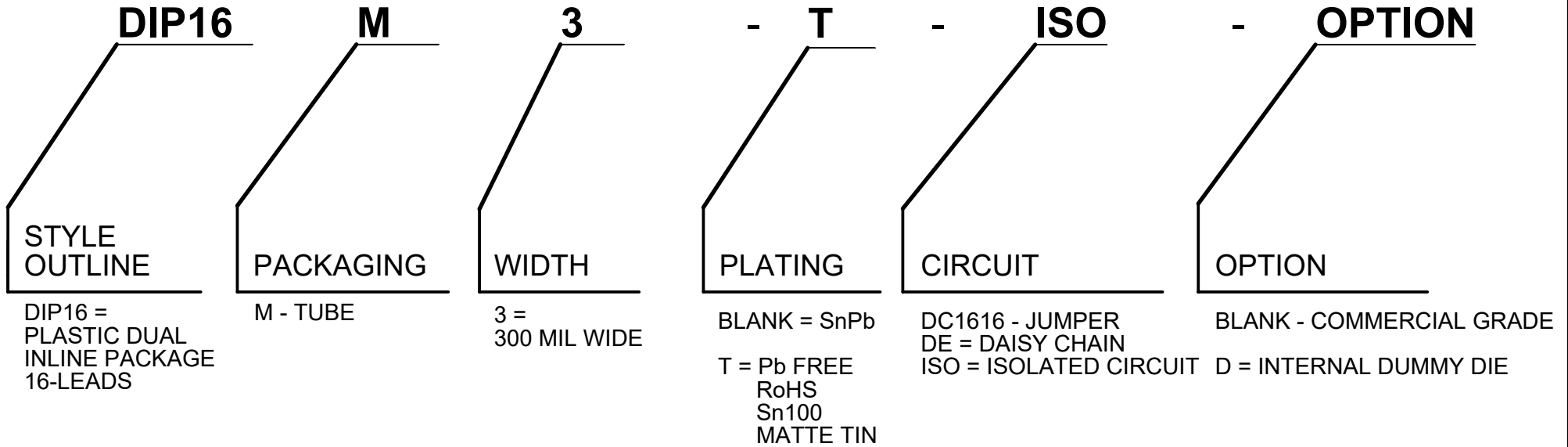
PCB LAND PATTERN PLATED THROUGH HOLES



NOTES:
1. DIMENSIONS INCH.

TopLine[®]			
TITLE DIP16M3-T-ISO 16L PDIP 300 MILS			
SCALE 8:1	SIZE A	DRAWING NO. 171016	REV A
DO NOT SCALE DRAWING			SHEET 3 OF 4

PART NUMBERING SYSTEM



PART NUMBER	SHORTED PINS	NOTES	RoHS Pb-FREE	DIE
DIP16M3-T-DC1616	1~16, 2~15, 3~14, 4~13, 5~12, 6~11, 7~10, 8~9.	8-WIRES	YES	NO
DIP16M3-T-DE-D	1~2, 3~4, 5~6, 7~8, 9~10, 11~12, 13~14, 15~16	8-WIRES	YES	YES
DIP16M3-T-DE	1~2, 3~4, 5~6, 7~8, 9~10, 11~12, 13~14, 15~16	8-WIRES	YES	NO
DIP16M3-T-D	N/A	DUMMY	YES	YES
DIP16M3-T-ISO	NONE	FULLY ISOLATED	YES	NO

TopLine[®]			
TITLE		DIP16M3-T-ISO 300MIL PDIP BODY	
SCALE	SIZE	DRAWING NO.	REV
NONE	A	171016	A
DO NOT SCALE DRAWING			SHEET 4 OF 4