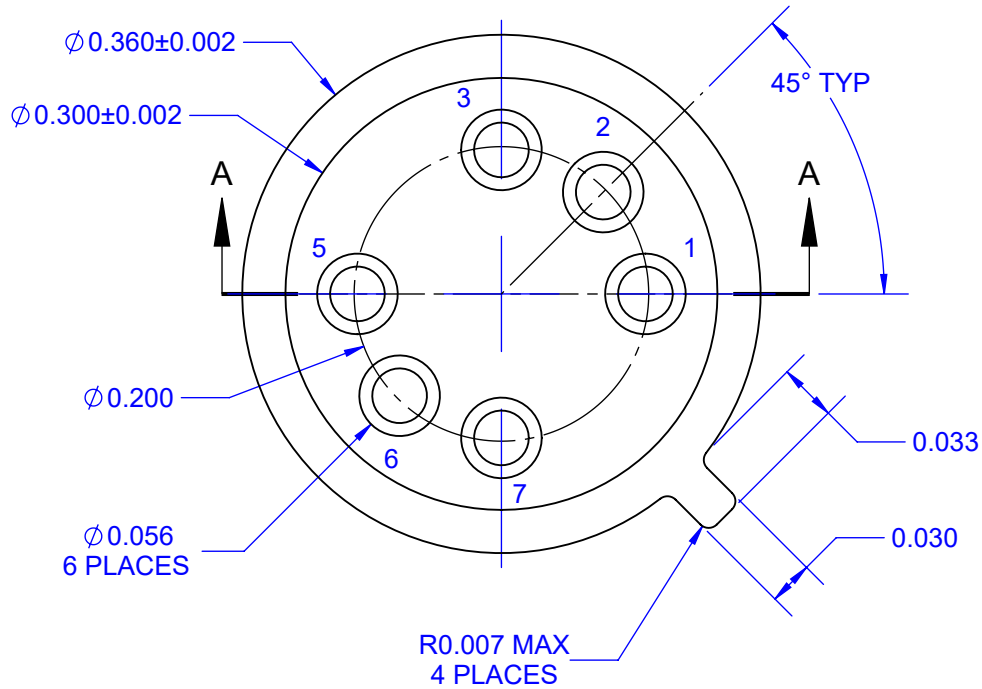
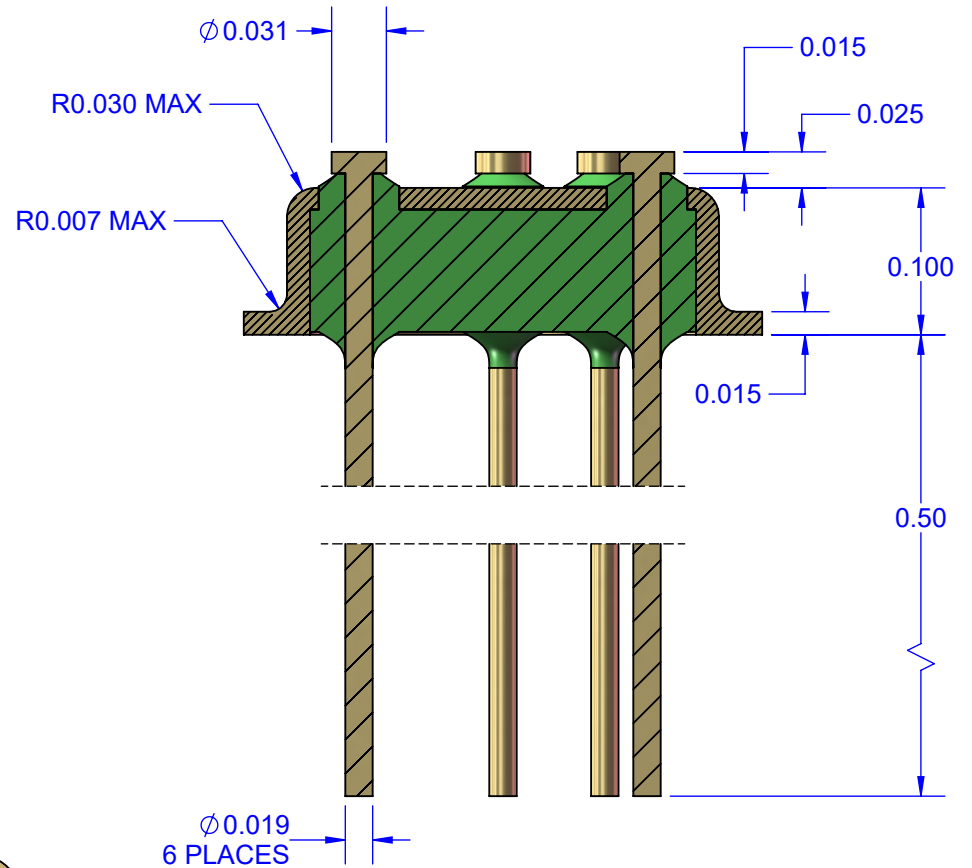


TOP VIEW



SECTION VIEW A-A

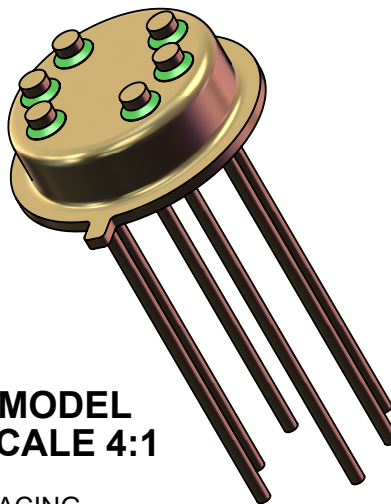


SECTION A-A
SCALE 7.5 : 1

NOTES:

1. DIMENSIONS in INCH (Unless Otherwise Specified).
2. BODY KOVAR ASTM F45 ALLOY 42.
3. LEADS KOVAR ASTM F15.
4. GLASS 7052 OR EQUIVALENT.
5. PLATING: Ni 100~300 Micro-inch
Au 50 Micro-inch MIN
6. SEE ALTERNATIVE TO-5 6L (TO-75) 60-DEGREE PIN SPACING

**MODEL
SCALE 4:1**



APPROVALS	DATE	TopLine®			
DRAWN T.Au	1/1/2022				
ENG M. Hart	1/1/2022	TITLE TO-5 HEADER 6L (TO-78) NAIL HEAD ISOLATED (45 DEGREE)			
MFG		SCALE	SIZE	DRAWING NO.	REV
QA		7.5:1	A	130506	A
CUST		DO NOT SCALE DRAWING			SHEET 1 OF 1
REVISED					