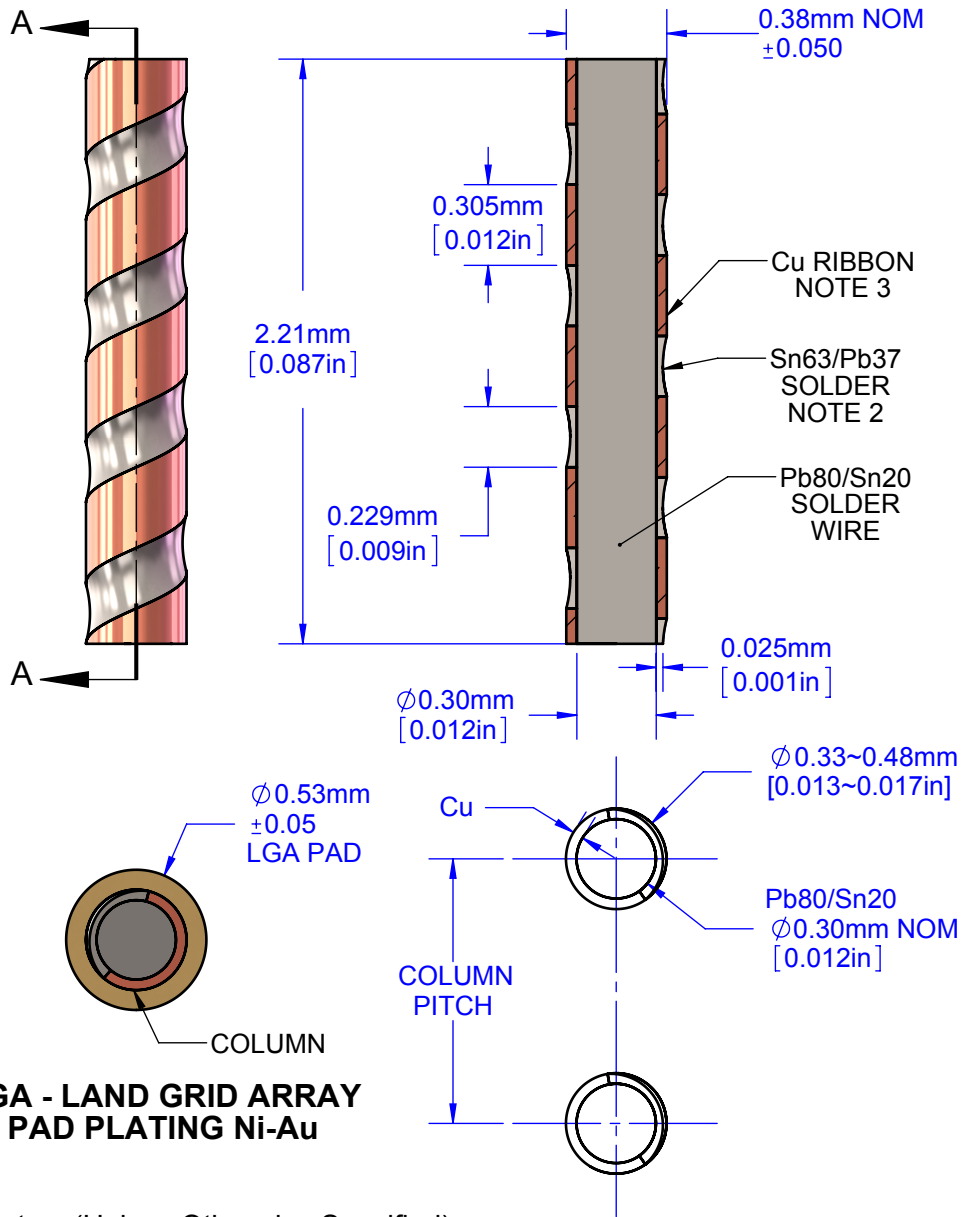


SECTION VIEW

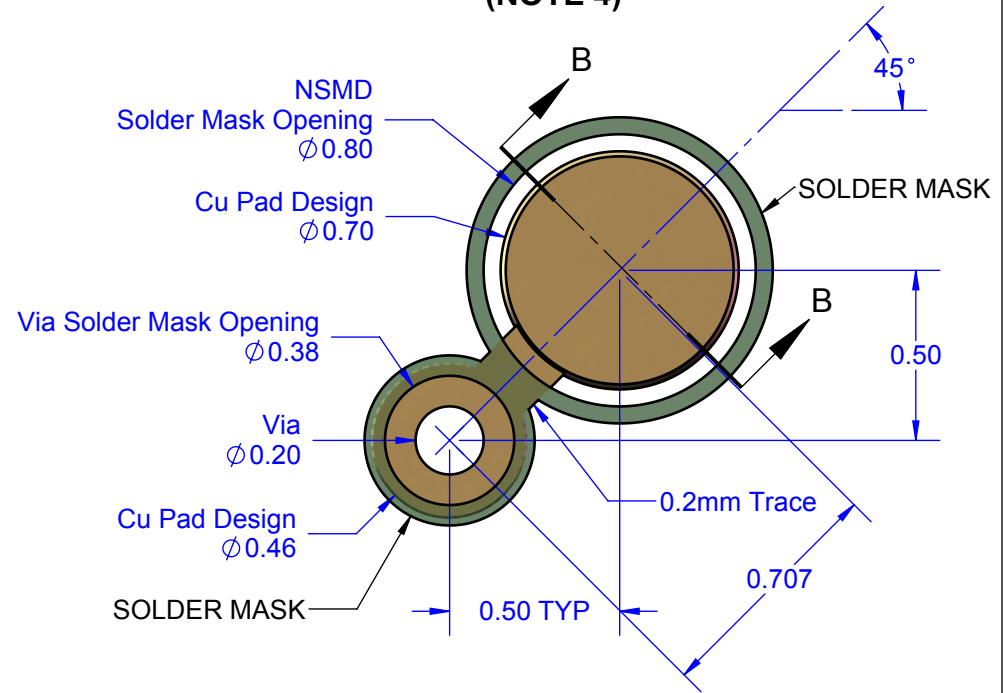


LGA - LAND GRID ARRAY PAD PLATING Ni-Au

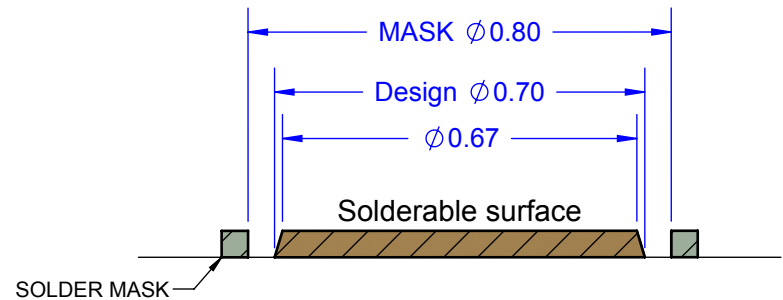
Notes: (Unless Otherwise Specified).

- 1) DIMENSIONS IN mm [INCHES].
- 2) THICKNESS Sn63/Pb37 SOLDER COAT 6~18µm [0.25~0.7mil].
- 3) Cu ALLOY C10100 - OFE (CDA-101). 99.99% PURE.
- 4) PCB BOARD DIMENSIONS ARE PRESENTED ONLY AS A GUIDELINE.
DESIGNERS SHOULD USE THEIR OWN EXPERIENCE WHEN DESIGNING PCB.

PCB LAND PATTERN (NOTE 4)



Cu PAD SIDE VIEW



Section B-B

APPROVALS	DATE	TopLine®			
DRAWN T.Au	01/08/15				
ENG M. Hart	01/08/15	TITLE CG8020C15x87 CCGA SOLDER COLUMN			
MFG		SCALE 35:1	SIZE A	DRAWING NO. 801587	REV A
QA		DO NOT SCALE DRAWING			SHEET 1 OF 1
CUST					
REVISED					