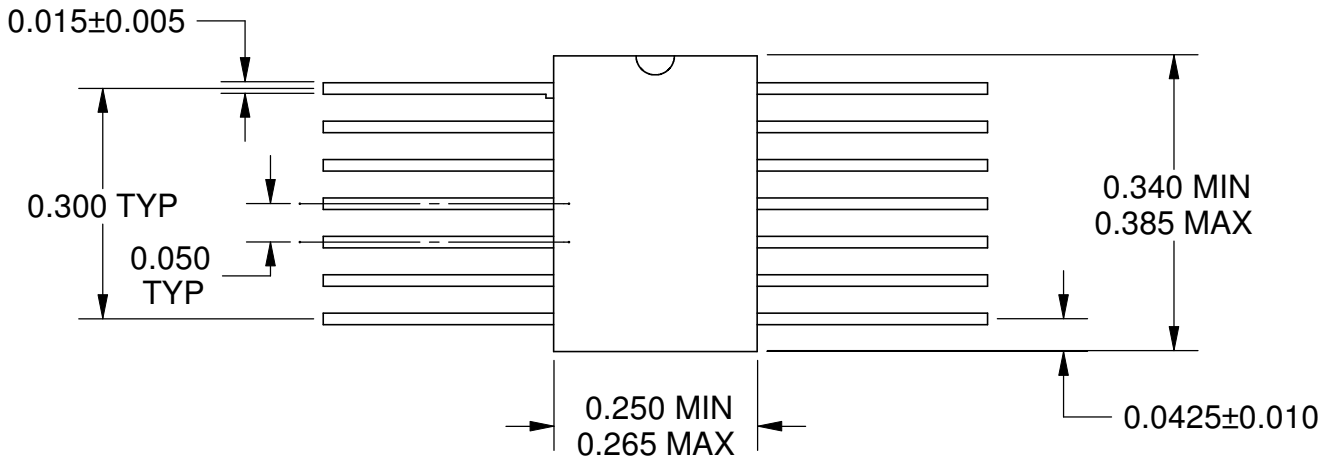
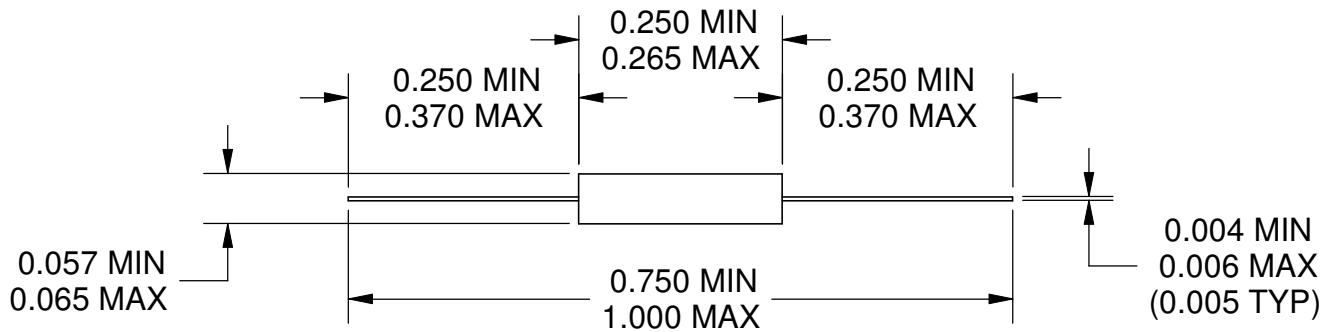


REVISIONS				
DATE	REV.	ECO	DESCRIPTION	APPROVED

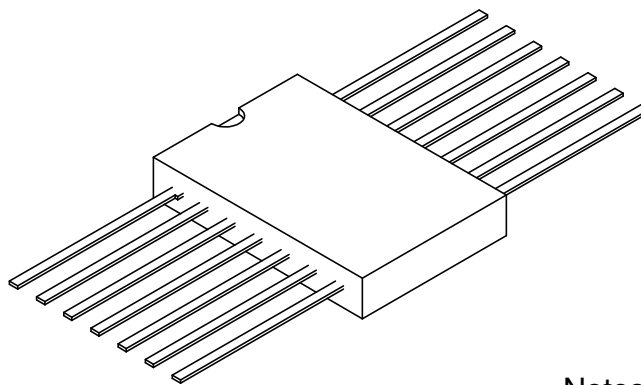
TOP VIEW



END VIEW




ISOMETRIC VIEW



- Notes: (Unless Otherwise Specified).
 1) DIMENSIONS IN INCH.
 2) PLATING Sn Pb.
 3) PACKAGED IN CARRIER.

TOPLINE DUMMY FP 14 LEAD FLAT PACK FOR SOLDER PRACTICE.
 PART NUMBER M83401/03
 USE AND APPLICATIONS:
 IPC SOLDER TRAINING CERTIFICATION. PROTOTYPE PWB.
 PRACTICE LEAD-FORM AND TRIM. EQUIPMENT EVALUATION.

TOPLINE
 EMAIL: info@topline.tv
 WWW.TOPLINE.TV

TOLERANCE UNLESS NOTED		APPROVALS		DATE	 14 L FLAT PACK M83401/03			
X.XX	+/- 0.01	DRAWN	J. HINES	8/20/2010				
X.XXX	+/- 0.005	ENG			TITLE			
X.XXXX	+/- 0.0005	MFG			SCALE 4:1			
ANGLES +/- 0.5°		QA			SIZE	DRAWING NO.	REV	
ALL DIMENSIONS IN		CUST			A	121400-B	A	
<input checked="" type="checkbox"/> INCHES <input type="checkbox"/> MILLIMETERS		REVISED			DO NOT SCALE DRAWING		SHEET 1 OF 1	
THIRD ANGLE PROJECTION	