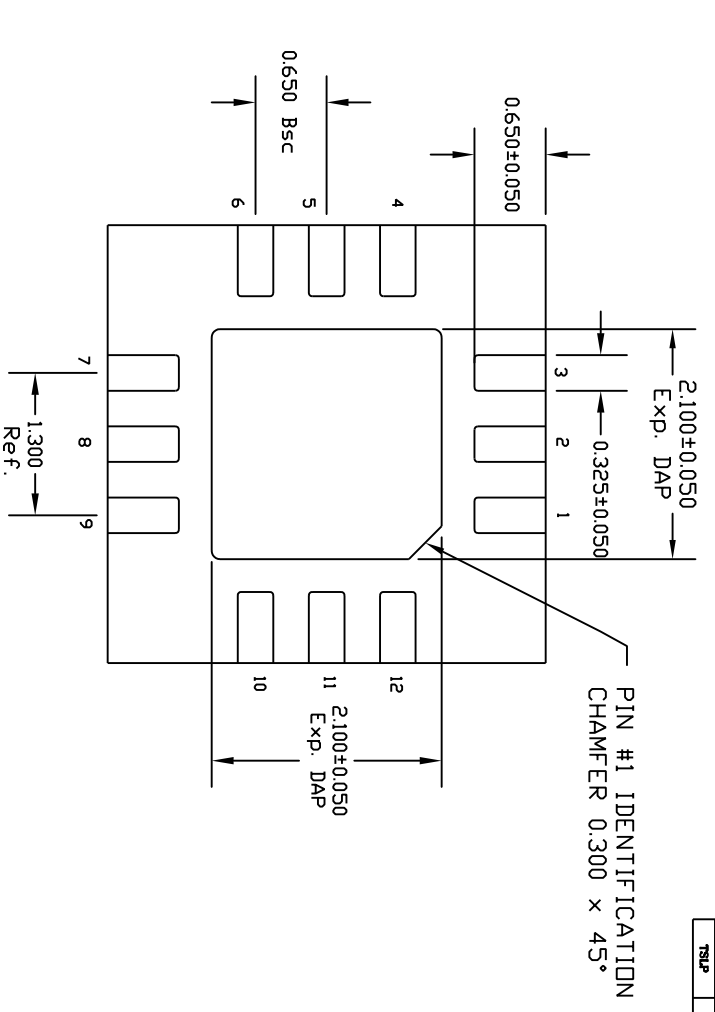


TOP VIEW

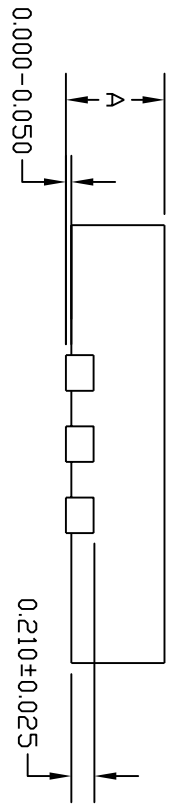


BOTTOM VIEW

NOTE:
1) TSLP AND SLP SHARE THE SAME EXPOSE OUTLINE
BUT WITH DIFFERENT THICKNESS:

A	TSLP		SLP	
	MAX.	NDM.	MAX.	NDM.
	0.800	0.750	0.900	0.850
	MIN.	0.700	0.800	

ALL MEASUREMENTS IN mm



SIDE VIEW

DESIGNED: 1	DATE:
APPD: KH TAN	DATE:
APPD: KEVIN KHOO	DATE:
APPD: GC TAN	DATE:
APPD: RIZAL	DATE:
APPD: WH LAI	DATE:
DMG. NO: PO-12(T/SLP)A4-001	REV.: 01

12L T/SLP 4x4 mm (PACKAGE OUTLINE)

REVISIONS	DESCRIPTION	DATE	BY	APPD
01	ADDED TSLP PACKAGE IN THE PACKAGE OUTLINE	15/07/04	BENJAMIN	KH TAN

TOLERANCES	UNIT:	SCALE:
DECIMAL:-	MM	NTS
ANGULAR:-		
UNLESS OTHERWISE SPECIFIED		