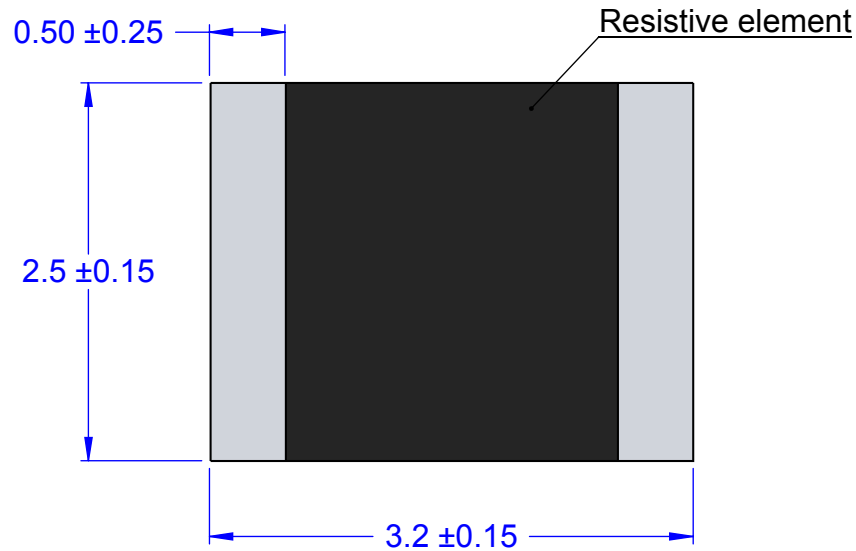
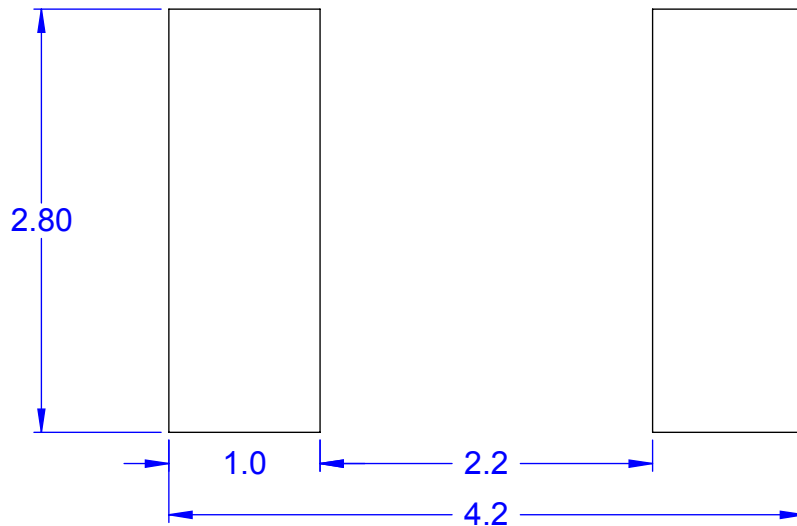


## TOP VIEW

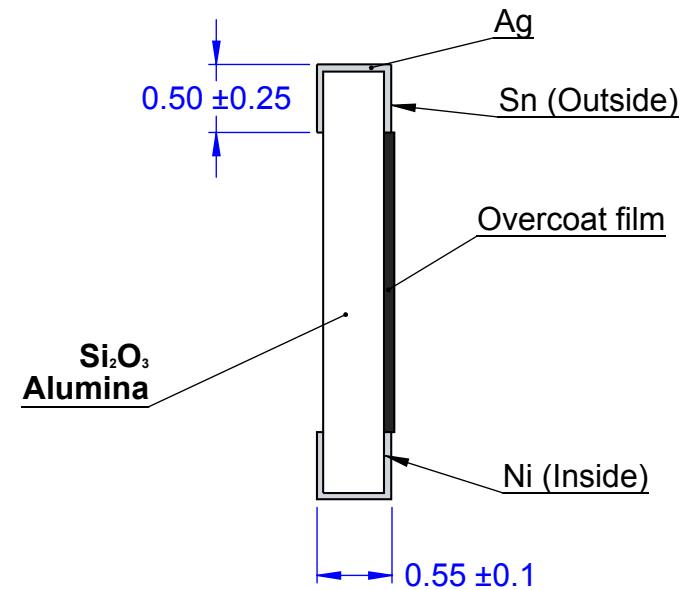


## RECOMMENDED PCB PATTERN



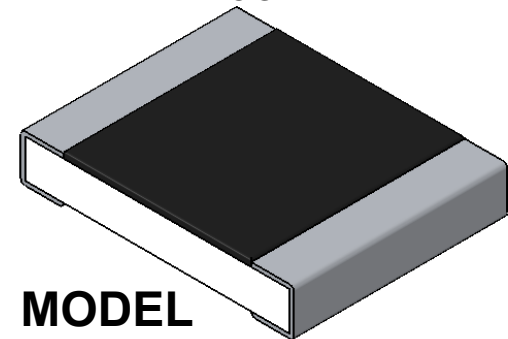
PCB DIMENSIONS ARE PRESENTED ONLY AS A GUIDELINE. DESIGNERS SHOULD USE THEIR OWN KNOWLEDGE BASE WHEN DESIGNING THE PCB.

## STRUCTURE



NOTES: Current Rating 2A @100WVDC

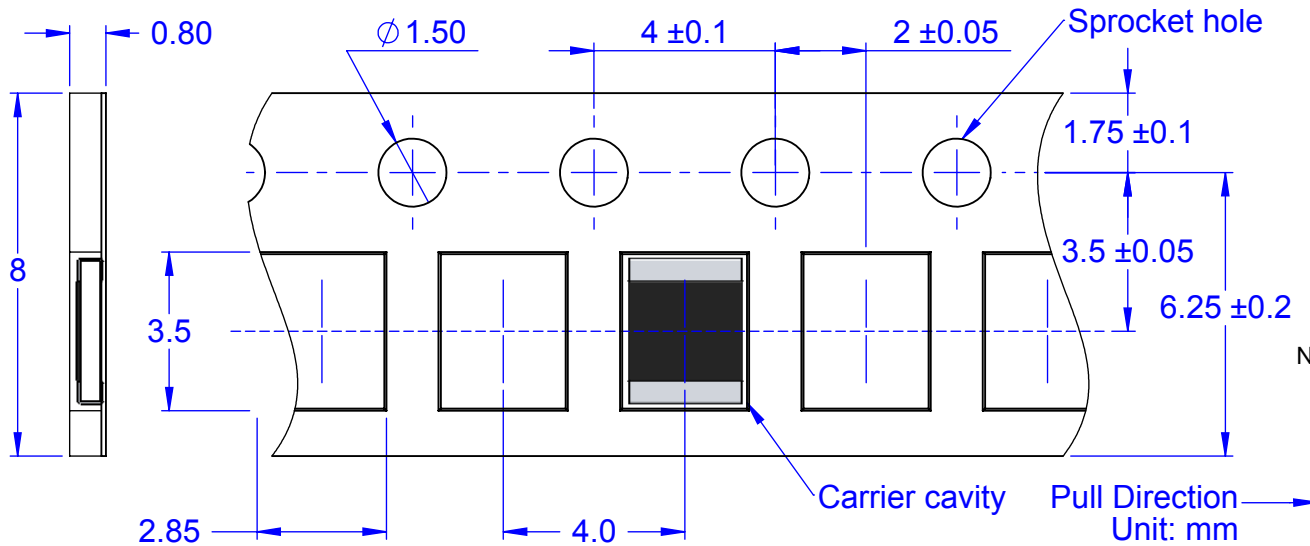
1. DIMENSIONS IN mm.
2. TERMINATION: Tin (Sn).
3. Pb-FREE AND HALOGEN FREE.



## MODEL

APPROVALS	DATE	<b>TopLine®</b>			
DRAWN T. Au	08/03/12				
ENG M. Hart	08/03/12	TITLE SR1210 SMT RESISTOR			
MFG		SCALE	SIZE A	DRAWING NO. 121211	REV A
QA					
CUST		DO NOT SCALE DRAWING			SHEET 1 OF 2
REVISED					

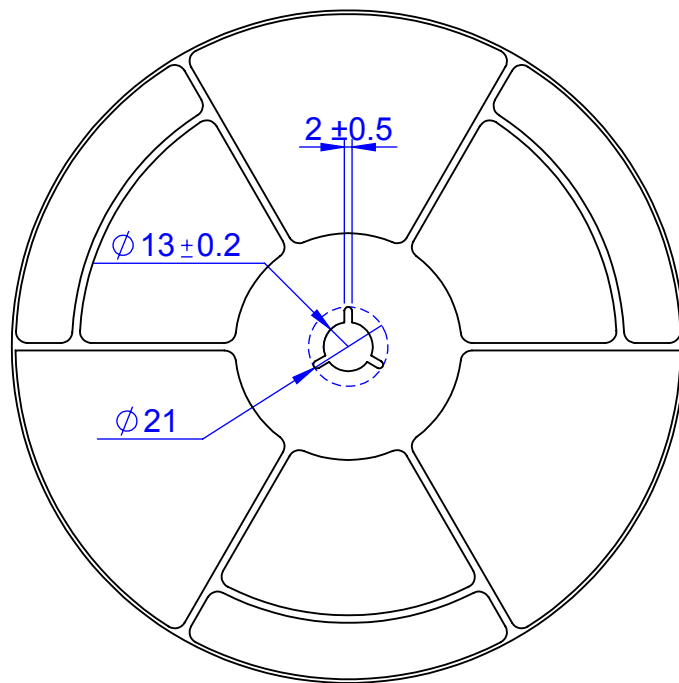
# W8P4 CARRIER TAPE DIMENSION



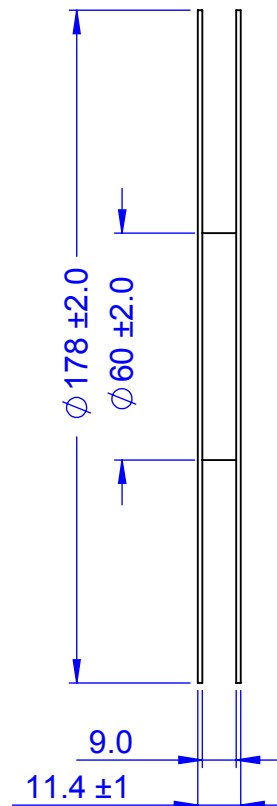
## PART NUMBER SYSTEM

SR	1210	E7A	- ZERO	- T
RESISTOR	SIZE CODE 3.2 x 2.5mm	PACK CODE	< 50mΩ	TERMINATION Sn (TIN)

NOTE: For dummy resistor replace ZERO with blank




## REEL DIMENSIONS



## PACK CODE

* CODE	QTY	PACKAGE
P7A	5,000	REEL
E7A	4,000	REEL
P4A	1,000	REEL
E4A	1,000	REEL

\*Code: P7A and P4A = Paper Tape  
E7A and E4A = Plastic Tape

APPROVALS	DATE				
DRAWN T. Au	08/03/12				
ENG M. Hart	08/03/12	TITLE SR1210 SMT RESISTOR			
MFG		SCALE	SIZE A	DRAWING NO.	REV
QA				121211	A
CUST		DO NOT SCALE DRAWING			SHEET 2 OF 2
REVISED					