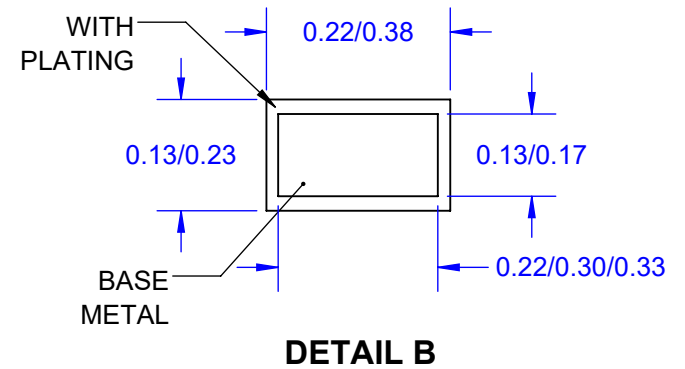
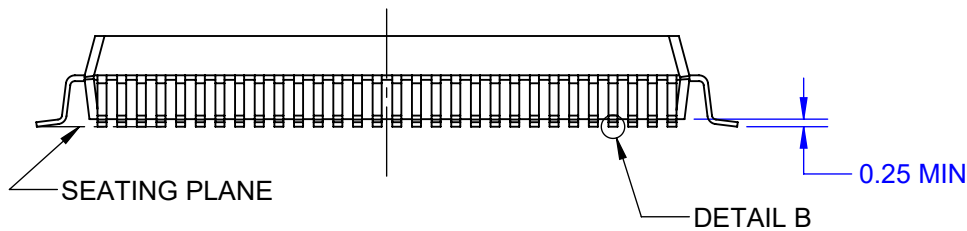
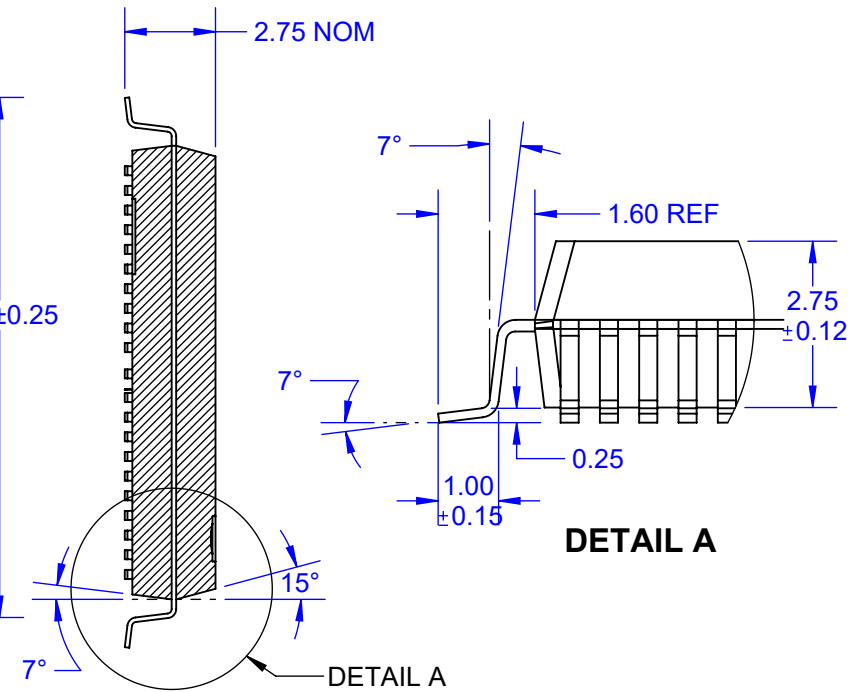
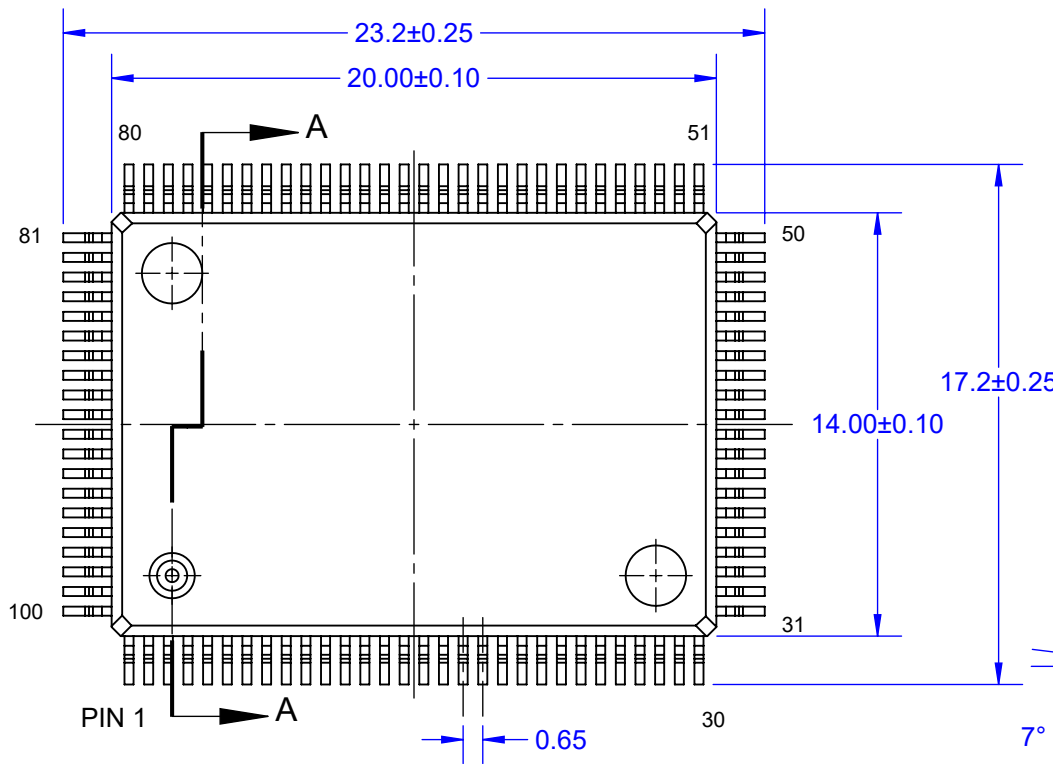


SECTION A-A
SCALE 4 : 1



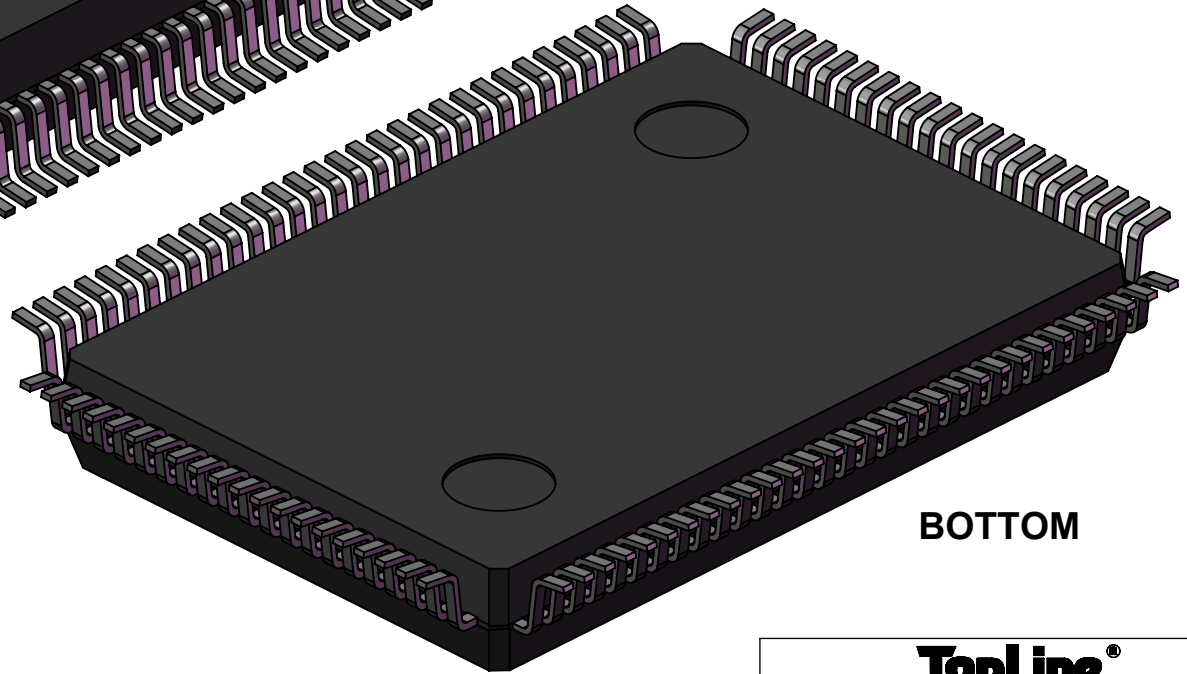
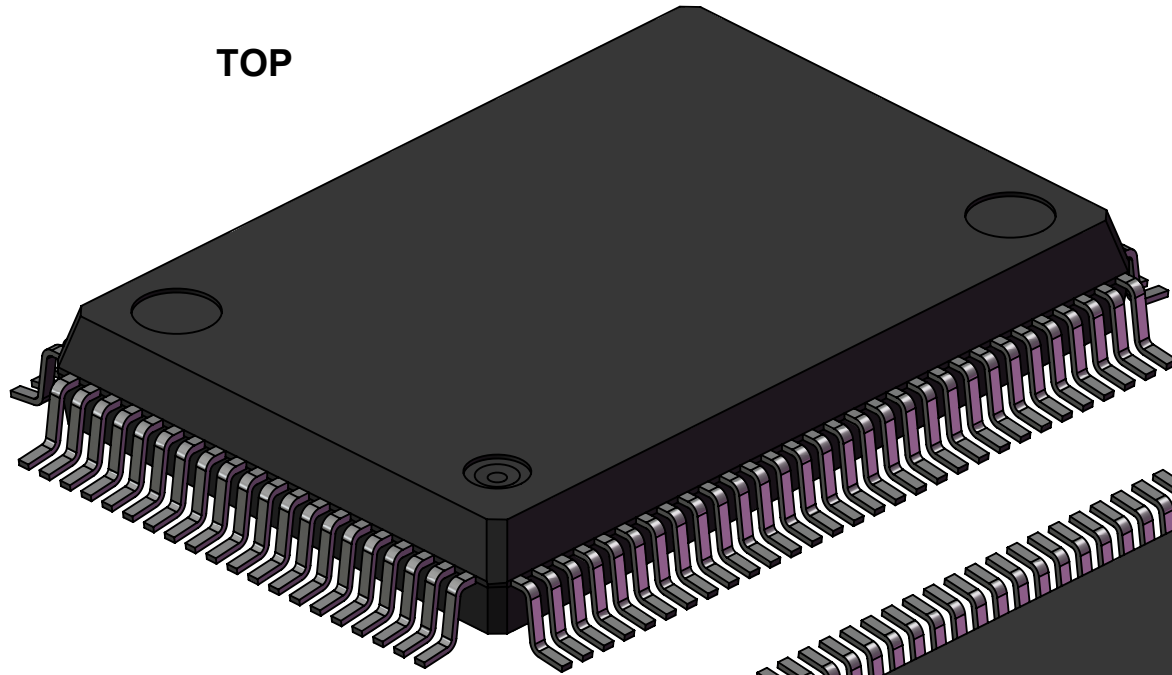
Notes: (Unless Otherwise Specified)

- 1) DIMENSIONS mm.
- 2) BODY PLASTIC, SEMICONDUCTOR GRADE.
- 3) LEAD FRAME COPPER. C-194 F/H.

APPROVALS	DATE	TopLine®			
DRAWN T. Au	12/16/2023				
ENG M. Hart	12/16/2023	TITLE QFP100T25-3.2 QUAD FLAT PACK			
MFG		SCALE	SIZE	DRAWING NO.	REV
QA		4:1	A	181101	A
CUST		DO NOT SCALE DRAWING			SHEET 1 OF 4
REVISED					

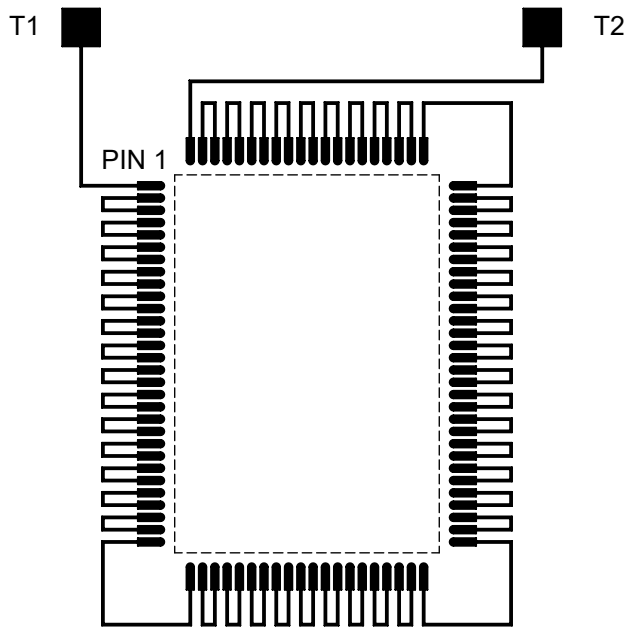
MODEL

TOP



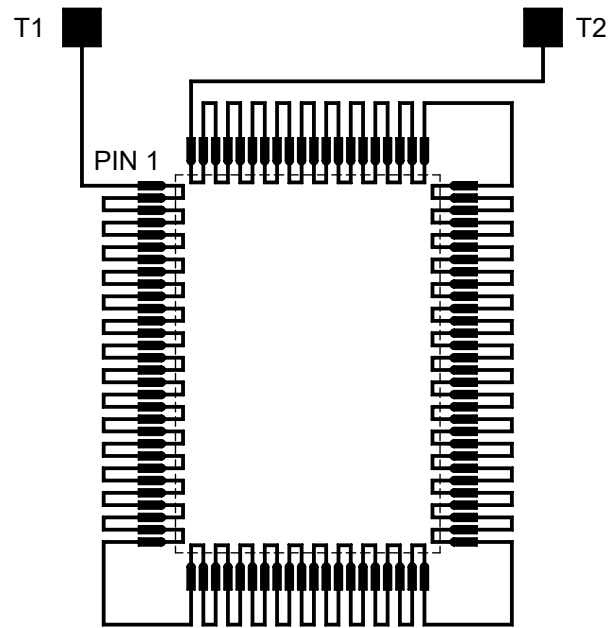
BOTTOM

TopLine[®]			
TITLE		QFP100T25-3.2 QUAD FLAT PACK	
SCALE	SIZE	DRAWING NO.	REV
6:1	A	181101	A
DO NOT SCALE DRAWING			SHEET 2 OF 4

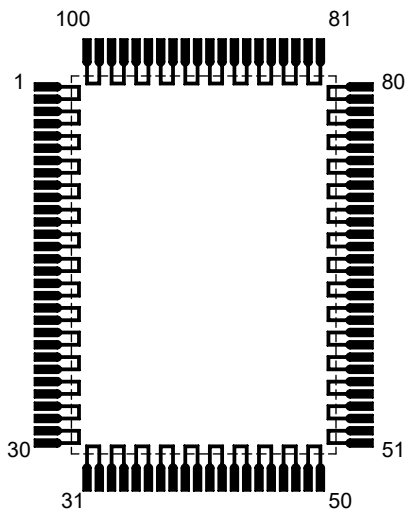


**RECOMMENDED
PCB PADS**

**DAISY CHAIN
OPTIONAL**



**AFTER MOUNTING
ON PCB**

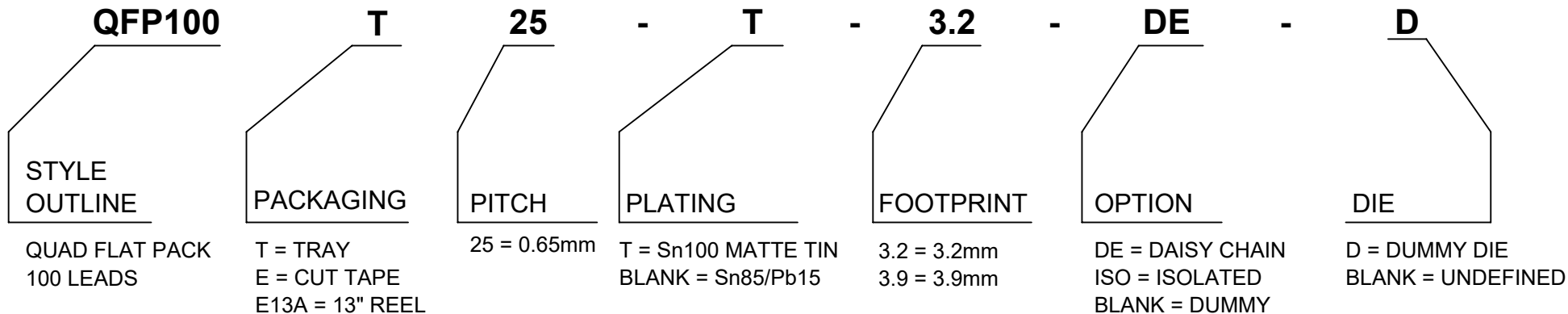


VIEW FROM TOP

DAISY CHAIN NET LIST			
PINS	PINS	PINS	PINS
1 ~ 2	27 ~ 28	53 ~ 54	79 ~ 80
3 ~ 4	29 ~ 30	55 ~ 56	81 ~ 82
5 ~ 6	31 ~ 32	57 ~ 58	83 ~ 84
7 ~ 8	33 ~ 34	59 ~ 60	85 ~ 86
9 ~ 10	35 ~ 36	61 ~ 62	87 ~ 88
11 ~ 12	37 ~ 38	63 ~ 64	89 ~ 90
13 ~ 14	39 ~ 40	65 ~ 66	91 ~ 92
15 ~ 16	41 ~ 42	67 ~ 68	93 ~ 94
17 ~ 18	43 ~ 44	69 ~ 70	95 ~ 96
19 ~ 20	45 ~ 46	71 ~ 72	97 ~ 98
21 ~ 22	47 ~ 48	73 ~ 74	99 ~ 100
23 ~ 24	49 ~ 50	75 ~ 76	
25 ~ 26	51 ~ 52	77 ~ 78	

TopLine®			
TITLE		QFP100T25-3.2 QUAD FLAT PLACK	
SCALE	SIZE	DRAWING NO.	REV
2.5:1	A	181101	A
DO NOT SCALE DRAWING			SHEET 3 OF 4

PART NUMBERING SYSTEM



PART NUMBER	DAISY CHAIN	PACKAGING	RoHS Pb-FREE	PLATING	DUMMY DIE
QFP100T25-T-3.2-DE-D	YES	JEDEC TRAY	YES	Sn100	YES
QFP100T25-T-3.2-ISO	ISOLATED	JEDEC TRAY	YES	Sn100	NO
QFP100T25-T-3.2	NO	JEDEC TRAY	YES	Sn100	OPTIONAL
QFP100E25-T-3.2	NO	REEL	YES	Sn100	OPTIONAL
QFP100T25-3.2	NO	JEDEC TRAY	NO	Sn85/Pb15	YES
QFP100E25-3.2	NO	REEL	NO	Sn85/Pb15	OPTIONAL

OTHER PART NUMBER COMBINATIONS AVAILABLE CONTACT TOPLINE.

TopLine®			
TITLE QFP100T25-3.2 QUAD FLAT PLACK			
SCALE NONE	SIZE A	DRAWING NO. 181101	REV A
DO NOT SCALE DRAWING		SHEET 4 OF 4	