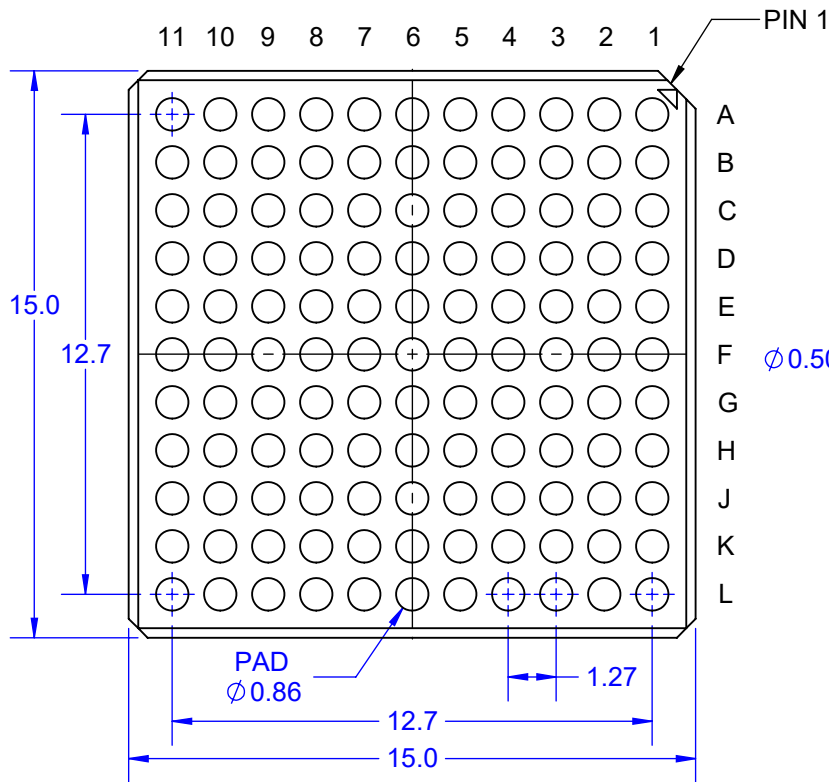
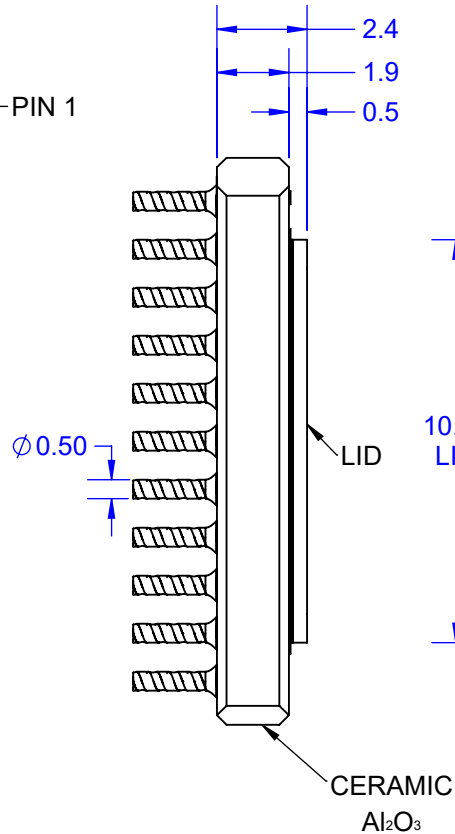


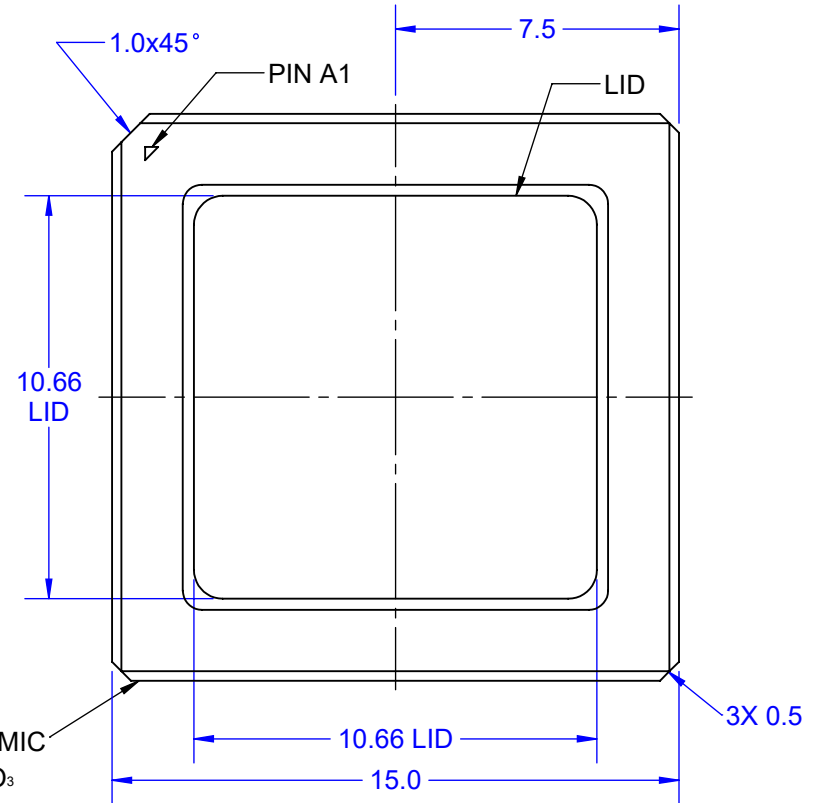
BOTTOM VIEW



SIDE VIEW



TOP VIEW



**Pb80/Sn20
Cu RIBBON
COLUMNS**

NOTES:

1. MATERIAL IS 90%-MINIMUM ALUMINA.
2. UNITS ARE MILLIMETERS.

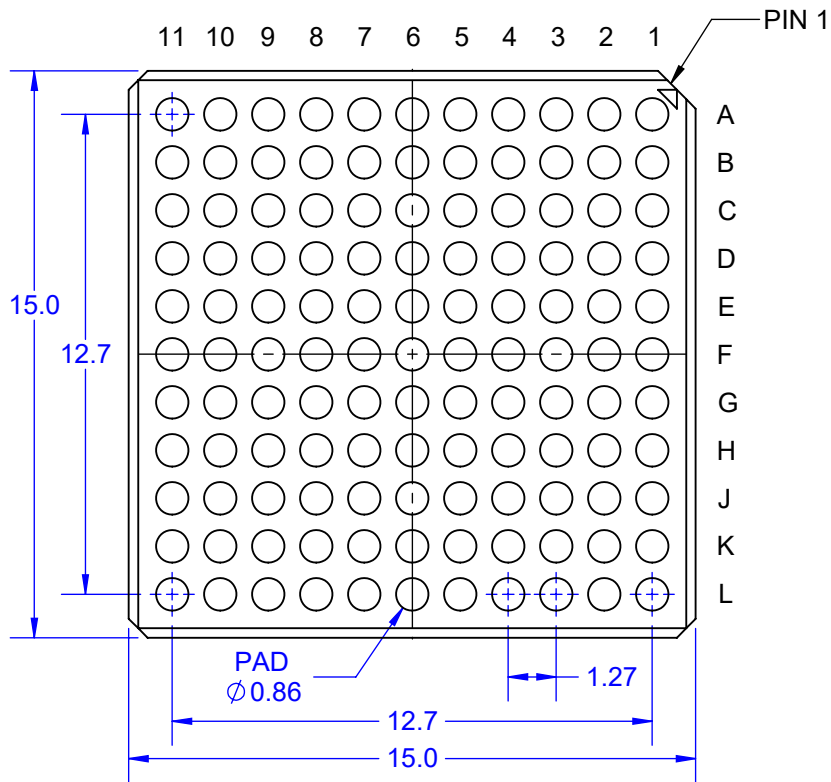
Notes: (Unless Otherwise Specified).

- 1) DIMENSIONS ARE IN mm.
- 2) SHOWN WITH COLUMNS.
- 3) SHOWN WITH LID COVER ATTACHED.
- 4) PART NUMBER: CCGA121T1.27.

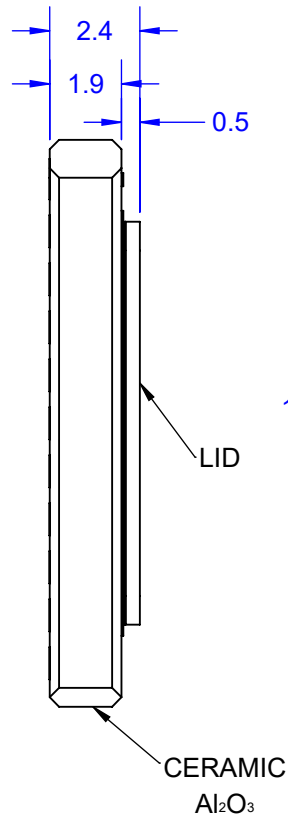
PART NUMBER OPTIONS			
PART NUMBER	DIE	SOLDER PIN	LID
CCGA121T1.27	YES	YES	YES

APPROVALS	DATE	TopLine®			
DRAWN T. Au	6/28/2022				
ENG M. Hart	6/28/2022	TITLE CCGA121T1.27 COLUMN GRID ARRAY			
MFG		SCALE	SIZE	DRAWING NO.	REV
QA		3:1	A	160305	A
CUST		DO NOT SCALE DRAWING			SHEET 1 OF 7
REVISED					

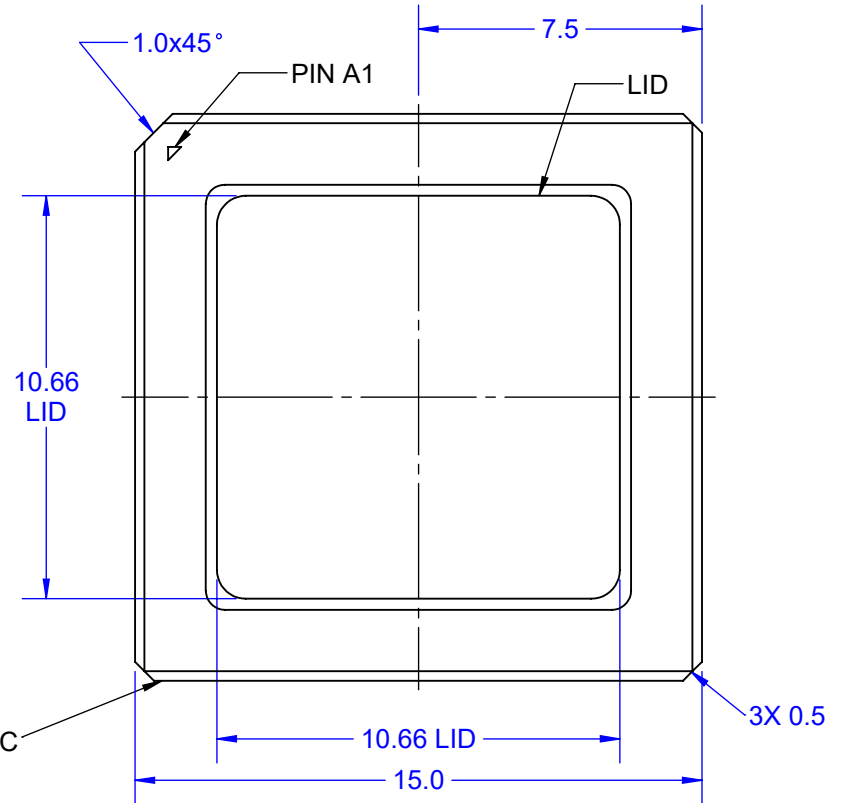
BOTTOM VIEW



SIDE VIEW



TOP VIEW



NOTES:

1. MATERIAL IS 90%-MINIMUM ALUMINA.
2. UNITS ARE MILLIMETERS.
3. EXPOSED-METAL PLATING PER MIL-PRF-38535.
 - a. NICKEL BASE: ELECTRO-PLATED 2.54~8.89µm.
 - b. GOLD: ELECTRO-PLATED 2.54~5.72µm.

Notes: (Unless Otherwise Specified).

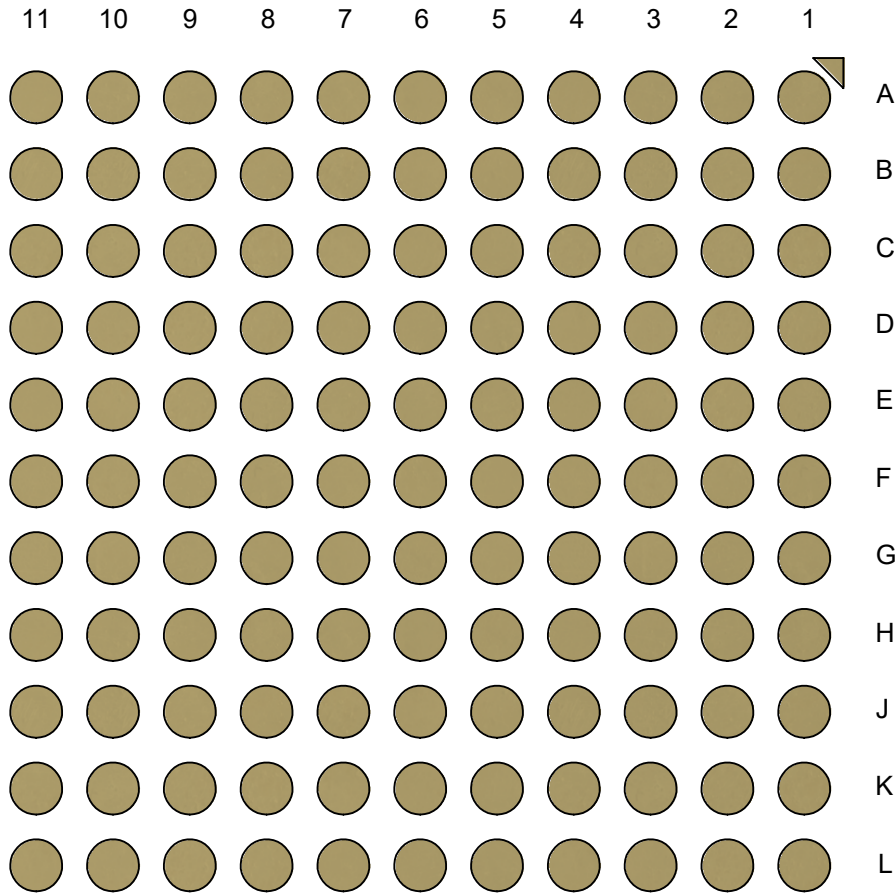
- 1) DIMENSIONS ARE IN mm.
- 2) SHOWN WITHOUT COLUMNS.
- 3) SHOWN WITH LID COVER ATTACHED.
- 4) PART NUMBER: CLGA121T1.27.

PART NUMBER OPTIONS			
PART NUMBER	DIE	SOLDER PIN	LID
CLGA121T1.27	YES	NO	YES

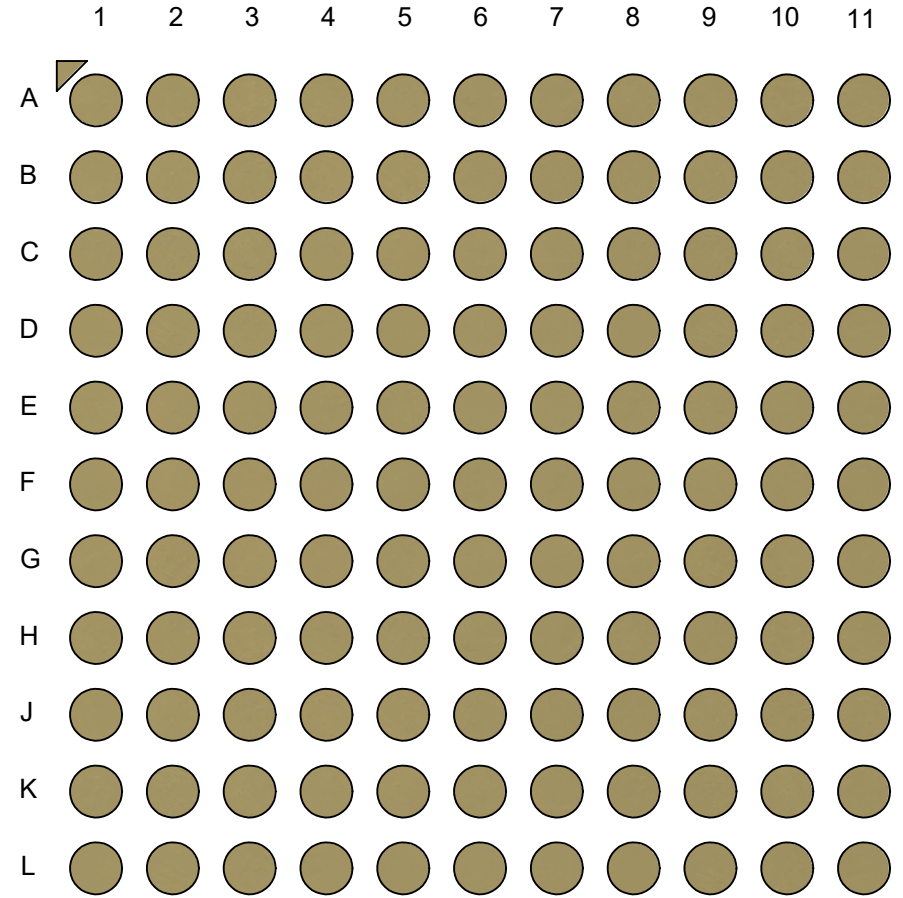
APPROVALS	DATE	TopLine®			
DRAWN T. Au	6/28/2022				
ENG M. Hart	6/28/2022	TITLE CCGA121T1.27 COLUMN GRID ARRAY			
MFG		SCALE	SIZE	DRAWING NO.	REV
QA		3:1	A	160305	A
CUST		DO NOT SCALE DRAWING			SHEET 2 OF 7
REVISED					

PAD PATTERN

COLUMN (BALL) VIEW



BOTTOM X-RAY VIEWED FROM TOP



TopLine®

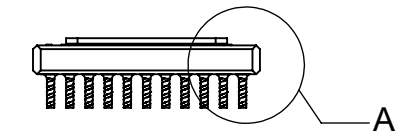
TITLE CCGA121T1.27
COLUMN GRID ARRAY

SCALE 8:1	SIZE A	DRAWING NO. 160019	REV A
--------------	-----------	-----------------------	----------

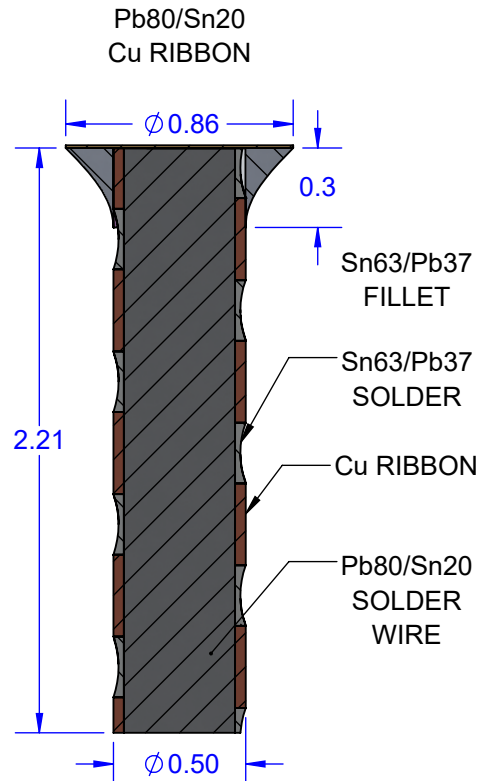
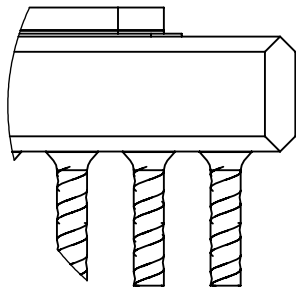
DO NOT SCALE DRAWING

SHEET 3 OF 7

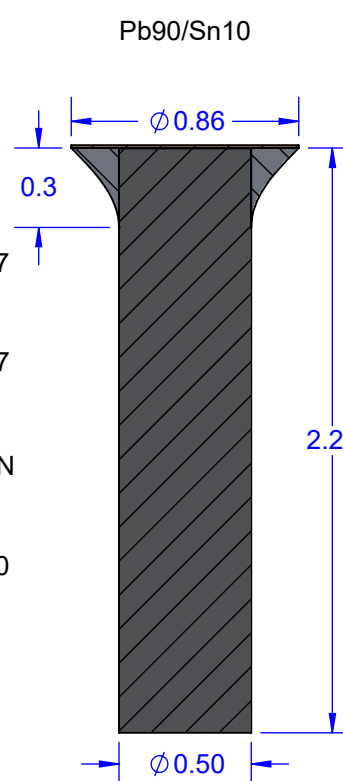
SOLDER PIN OPTIONS



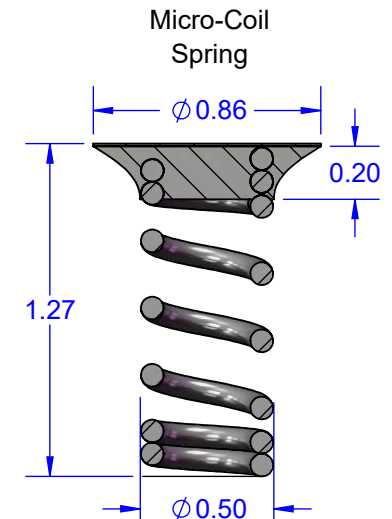
DETAIL A
SCALE 8 : 1



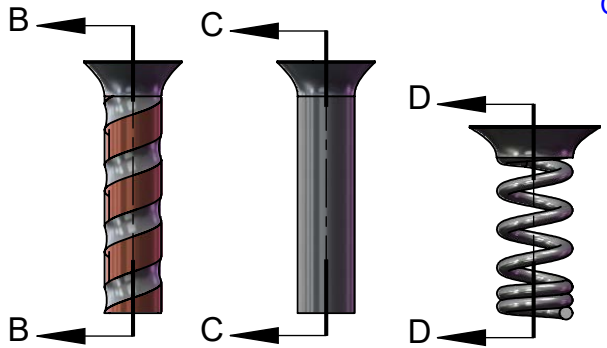
SECTION B-B
SCALE 35 : 1



SECTION C-C
SCALE 35 : 1



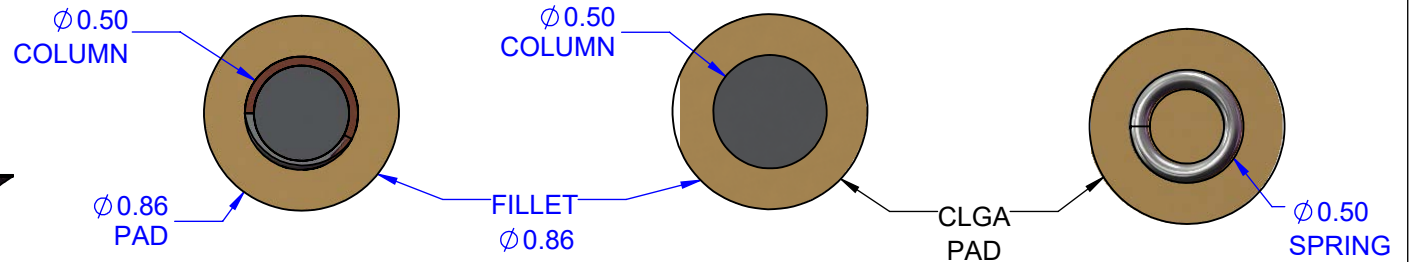
SECTION D-D
SCALE 35 : 1



Pb80/Sn20
Cu RIBBON
SCALE 15:1

Pb90/Sn10
SCALE 15:1

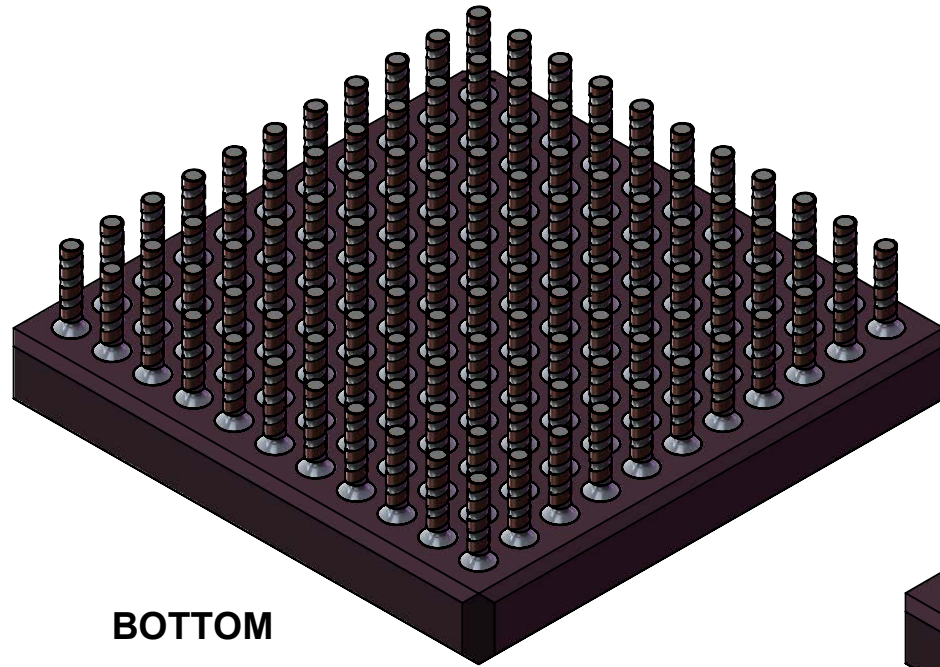
Micro-Coil
Spring
SCALE 20:1



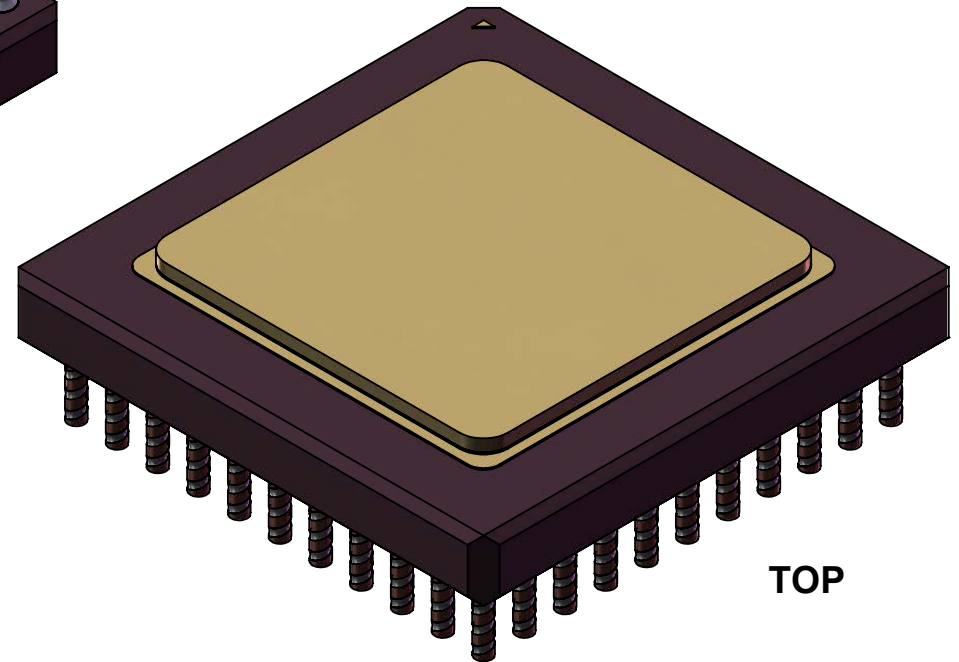
TopLine[®]

TITLE			
CCGA121T1.27 COLUMN GRID ARRAY			
SCALE	SIZE	DRAWING NO.	REV
8:1	A	160305	A
DO NOT SCALE DRAWING			SHEET 4 OF 7

MODEL
CCGA121T1.27
Pb80/Sn20 COPPER WRAP COLUMNS



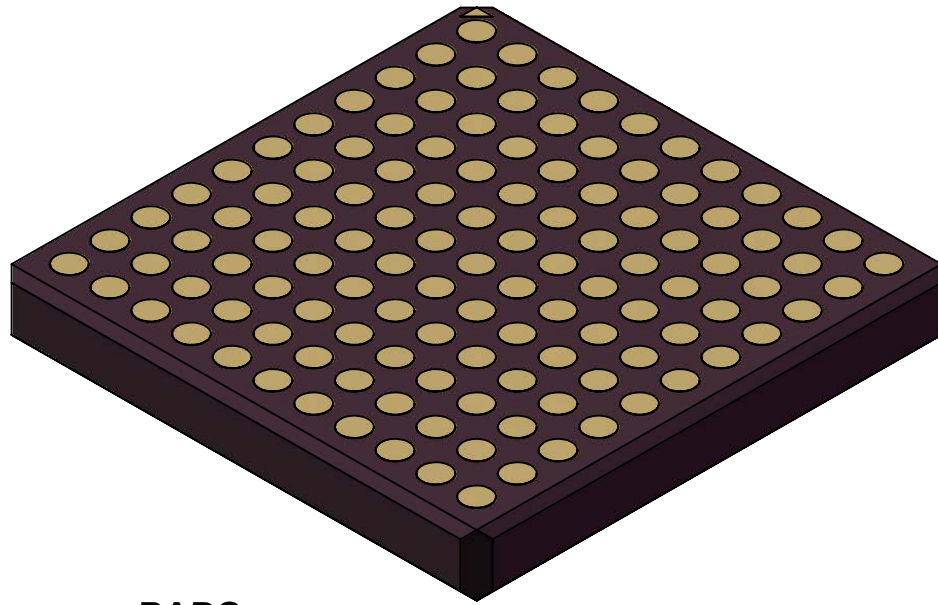
BOTTOM



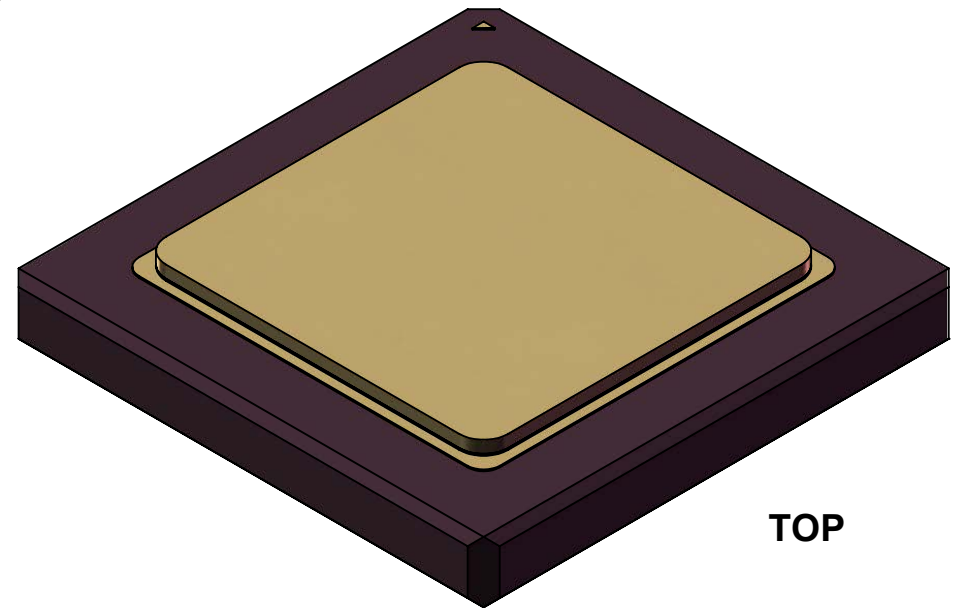
TOP

TopLine[®]			
TITLE		CCGA121T1.27 COLUMN GRID ARRAY	
SCALE	SIZE	DRAWING NO.	REV
6:1	A	160305	A
DO NOT SCALE DRAWING			SHEET 5 OF 7

**MODEL
CLGA121T1.27
WITHOUT COLUMNS**



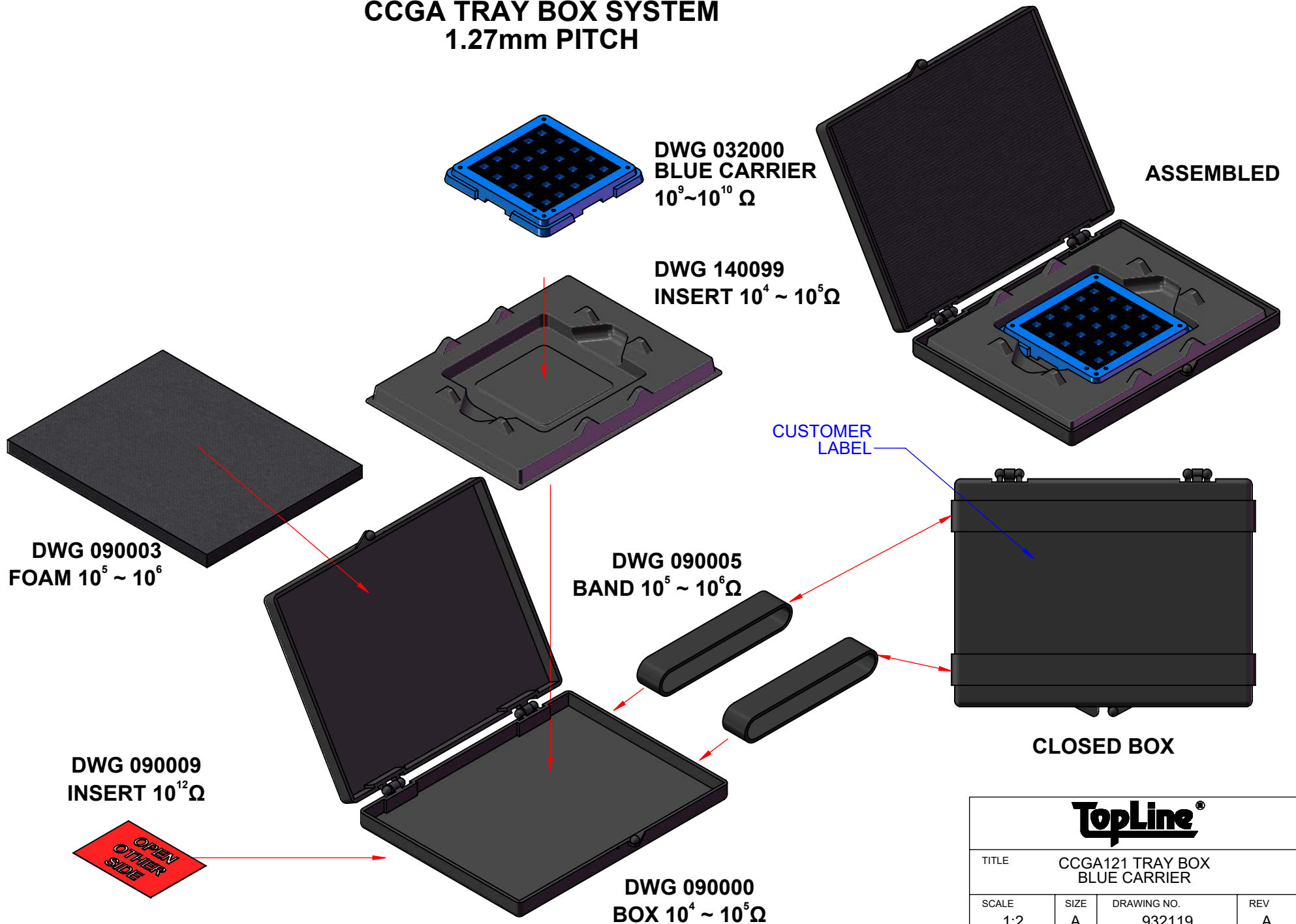
**PADS
(BOTTOM)**



TOP

TopLine[®]			
TITLE		CCGA121T1.27 COLUMN GRID ARRAY	
SCALE	SIZE	DRAWING NO.	REV
6:1	A	160305	A
DO NOT SCALE DRAWING			SHEET 6 OF 7

EXPLODED VIEW CCGA TRAY BOX SYSTEM 1.27mm PITCH



TopLine®			
TITLE		CCGA121 TRAY BOX BLUE CARRIER	
SCALE	SIZE	DRAWING NO.	REV
1:2	A	932119	A
DO NOT SCALE DRAWING			SHEET 7 OF 7