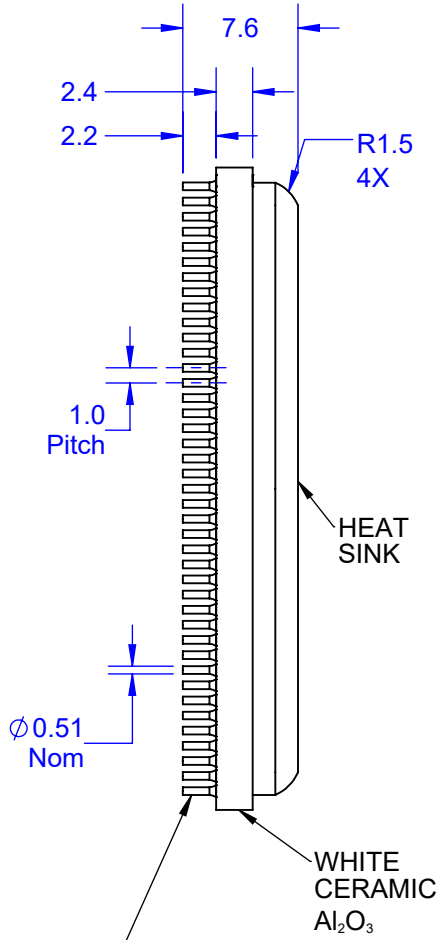
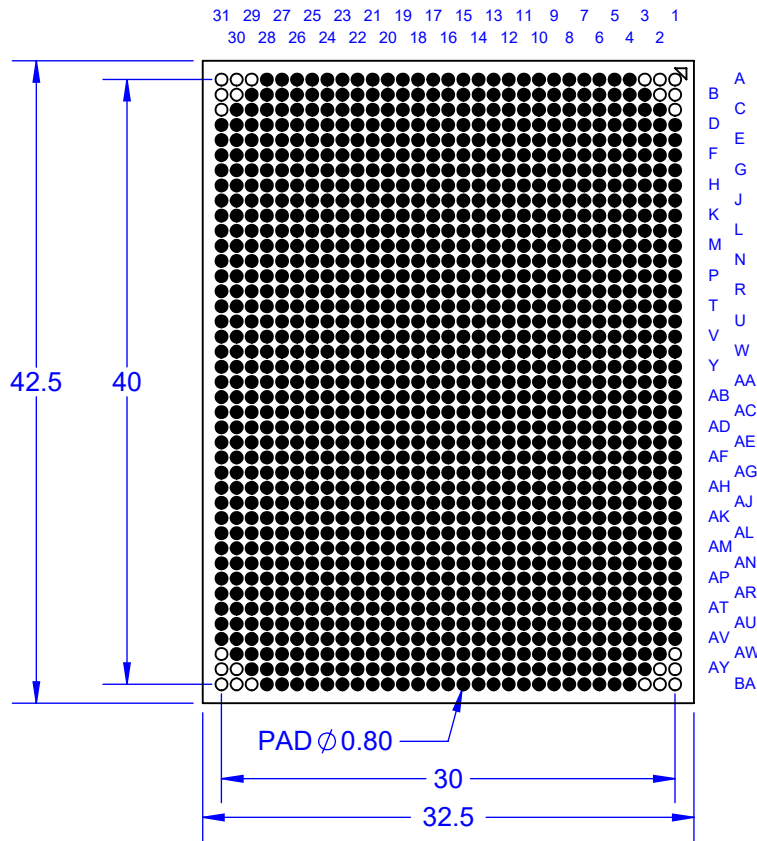
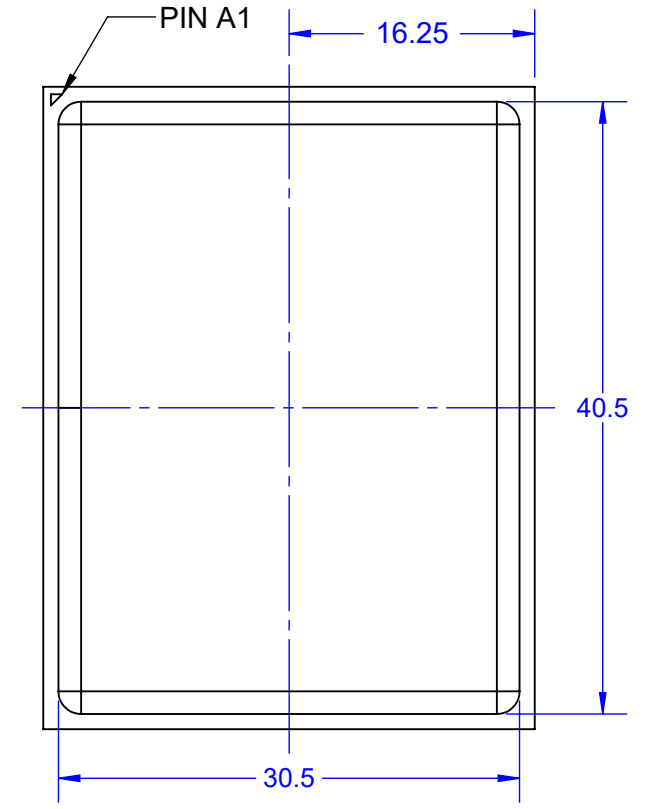


BOTTOM VIEW



TOP VIEW



Pb90/Sn10
WIRE COLUMNS



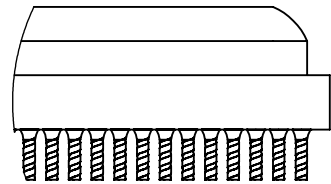
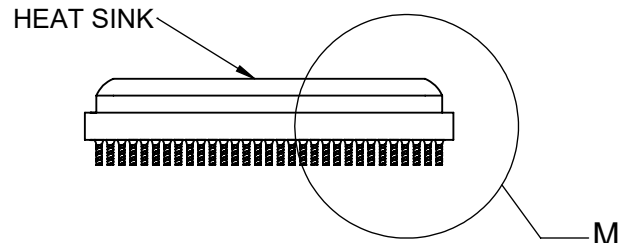
Notes: (Unless Otherwise Specified)

- 1) DIMENSION ARE mm.
- 2) SHOWN WITH Pb90/Sn10 PLAIN COLUMNS.
- 3) 12x41 COLUMNS.
- 4) DEPOPULATED CORNER PADS.
- 5) PART NUMBER CCGA1247T1.0A-31x41-D.

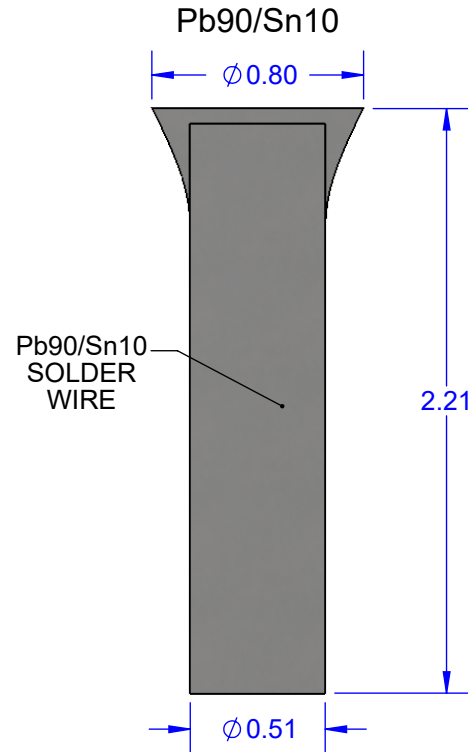
PART NUMBER OPTIONS		
PART NUMBER	DUMMY DIE	SOLDER PIN
CCGA1247T1.0A-31x41-D	YES	Pb90/Sn10

APPROVALS	DATE	TopLine®			
DRAWN T. Au	07/09/2022				
ENG M. Hart	07/09/2022	TITLE CCGA1247T1.0A-31x41-D COLUMN GRID ARRAY			
MFG		SCALE 1.75:1	SIZE A	DRAWING NO. 160127	REV A
QA		DO NOT SCALE DRAWING			SHEET 1 OF 5
CUST					
REVISED					

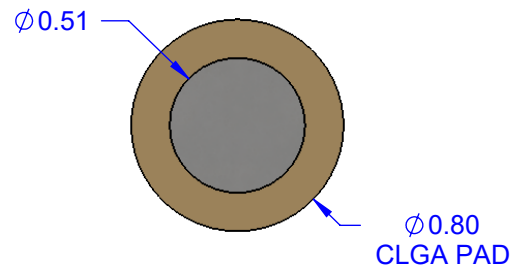
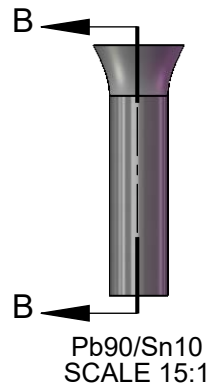
SOLDER PIN Pb90/Sn10



DETAIL M
SCALE 3 : 1



SECTION B-B
SCALE 35 : 1

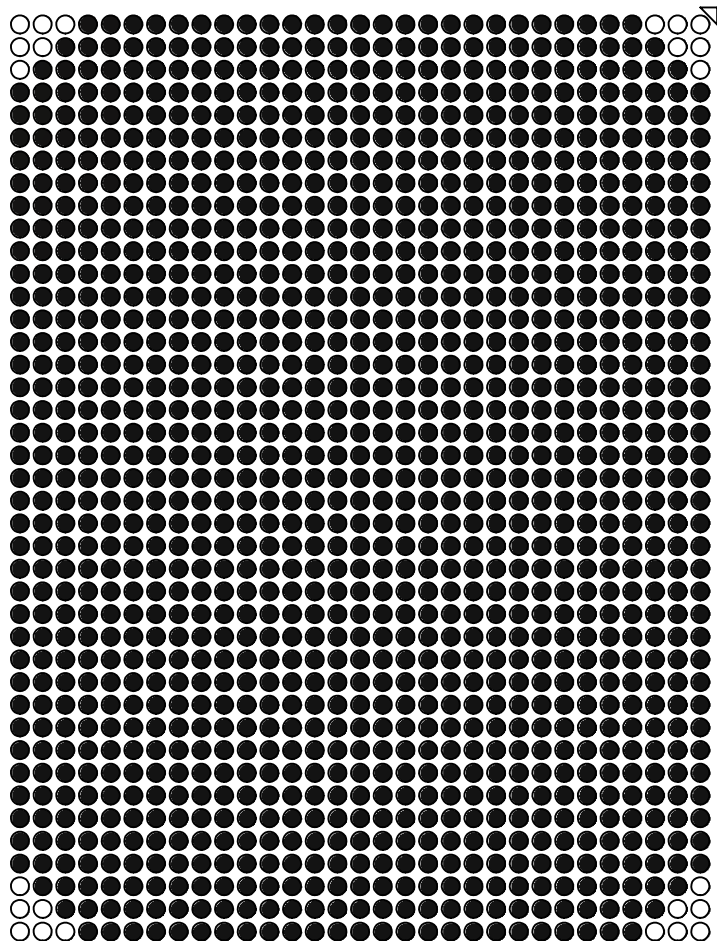


TopLine®			
TITLE CCGA1247T1.0A-31x41-D COLUMN GRID ARRAY			
SCALE 1.75:1	SIZE A	DRAWING NO. 160127	REV A
DO NOT SCALE DRAWING			SHEET 2 OF 5

PAD PATTERN

COLUMN VIEW

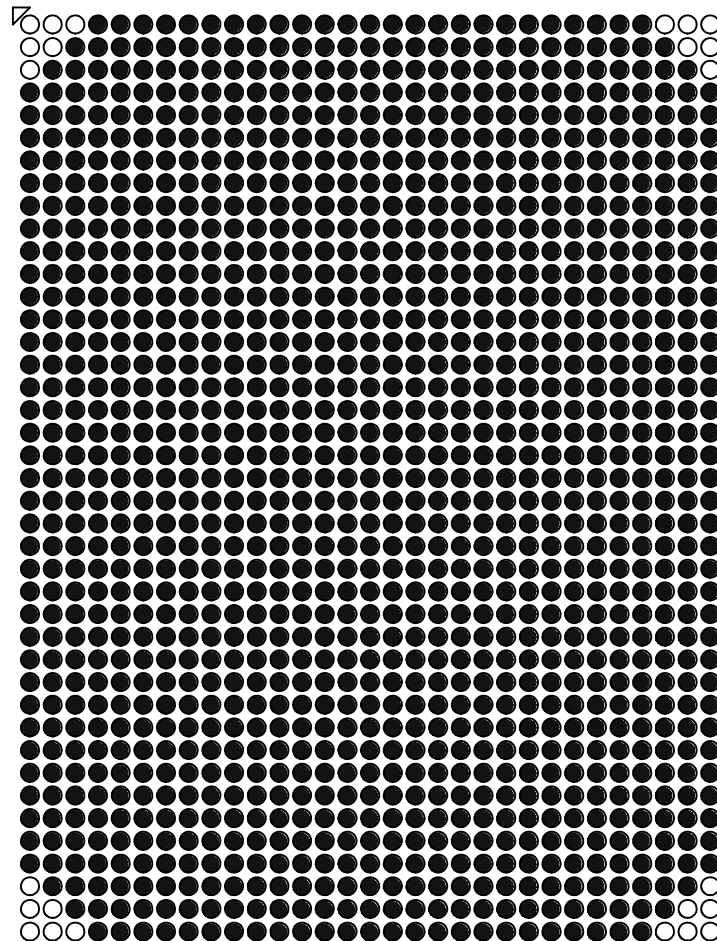
31 29 27 25 23 21 19 17 15 13 11 9 7 5 3 1
30 28 26 24 22 20 18 16 14 12 10 8 6 4 2



A
B C
D E
F G
H J
K L
M N
P R
T U
V W
Y
AA
AB AC
AD AE
AF AG
AH AJ
AK AL
AM AN
AP AR
AT AU
AV AW
AY BA

BOTTOM X-RAY VIEWED FROM TOP

1 3 5 7 9 11 13 15 17 19 21 23 25 27 29 31
2 4 6 8 10 12 14 16 18 20 22 24 26 28 30

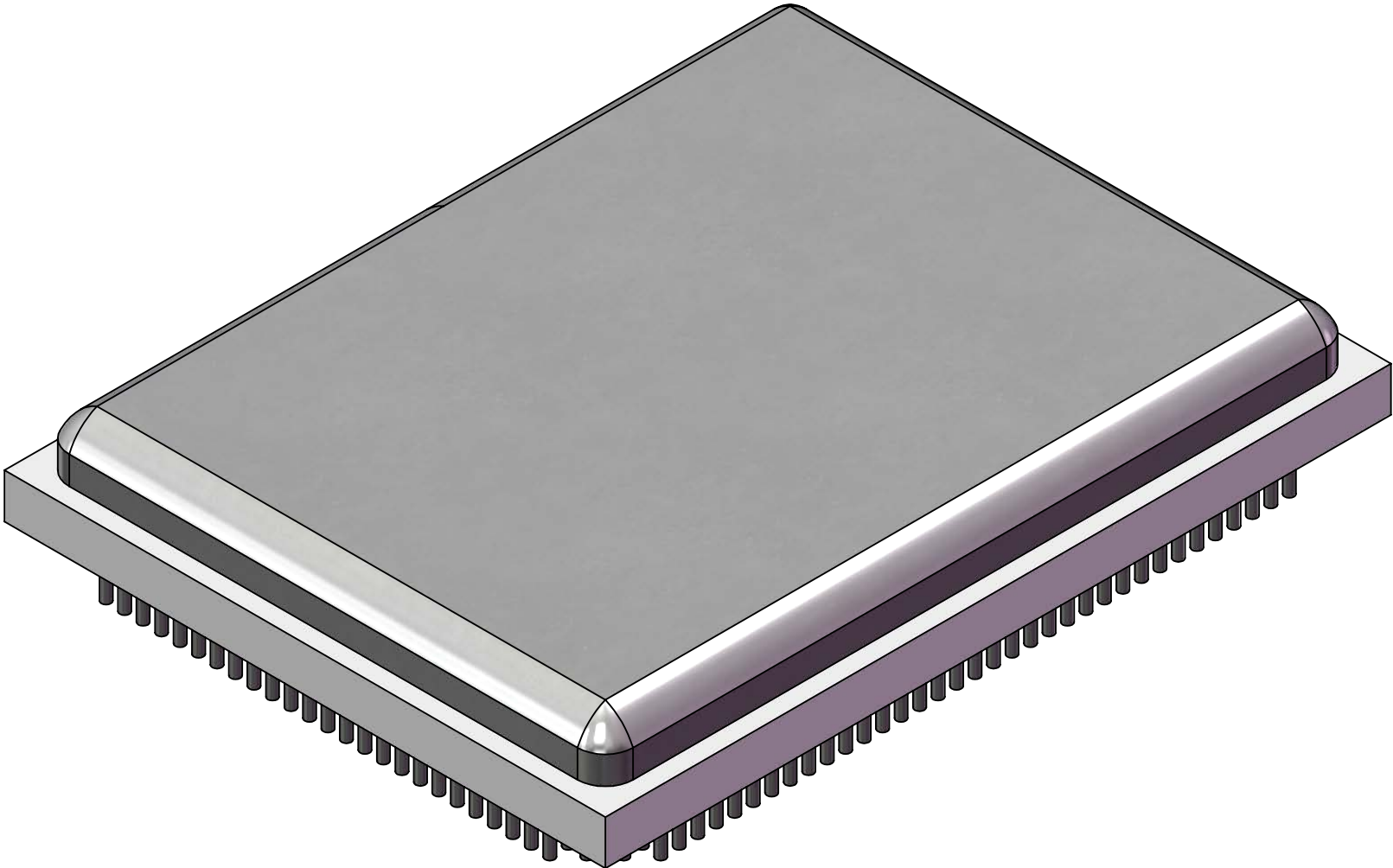


A
B C
D E
F G
H J
K L
M N
P R
T U
V W
Y
AA
AB AC
AD AE
AF AG
AH AJ
AK AL
AM AN
AP AR
AT AU
AV AW
AY BA



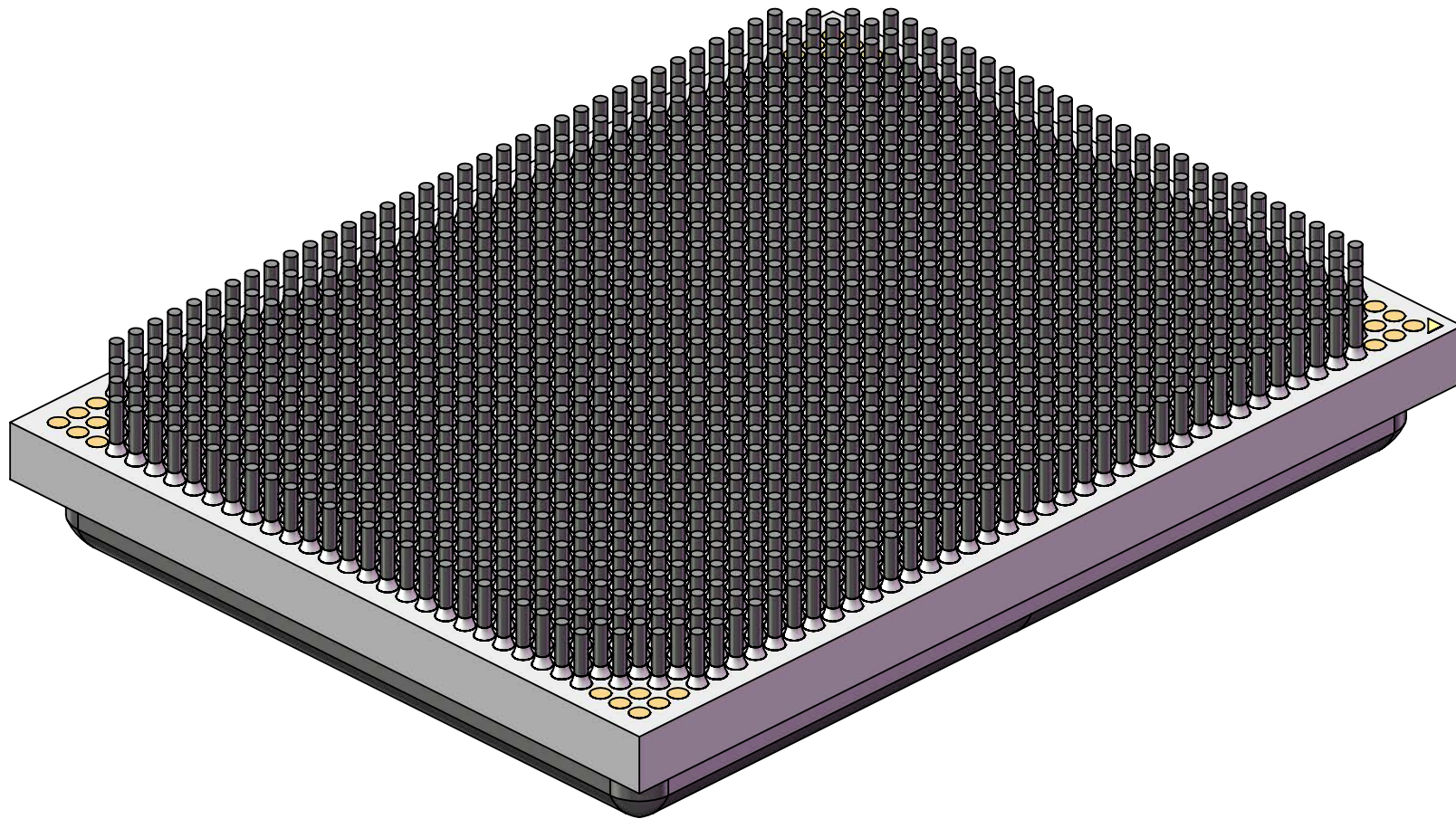
TITLE			
CCGA1247T1.0A-31x41-D COLUMN GRID ARRAY			
SCALE	SIZE	DRAWING NO.	REV
3:1	A	160127	A
DO NOT SCALE DRAWING			SHEET 3 OF 5

**MODEL
CCGA1247 - TOP**



TopLine[®]			
TITLE		CCGA1247T1.0A-31x41-D COLUMN GRID ARRAY	
SCALE	SIZE	DRAWING NO.	REV
3:1	A	160127	A
DO NOT SCALE DRAWING			SHEET 4 OF 5

**MODEL
CCGA1247 - BOTTOM
Pb90/Sn10 COLUMNS**



TopLine®

TITLE CCGA1247T1.0A-31x41-D
COLUMN GRID ARRAY

SCALE 3:1	SIZE A	DRAWING NO. 160127	REV A
--------------	-----------	-----------------------	----------

DO NOT SCALE DRAWING

SHEET 5 OF 5