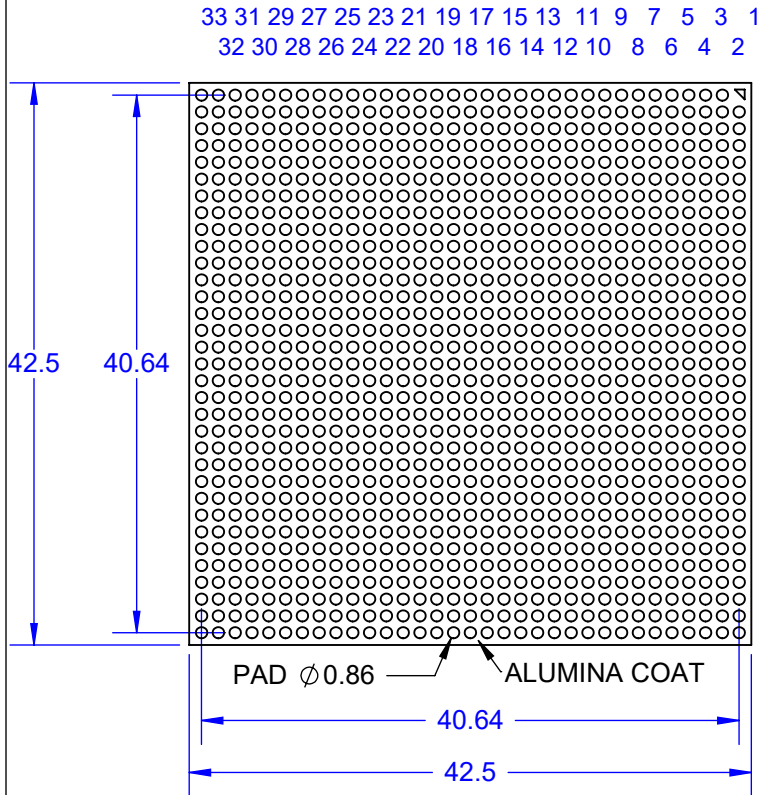
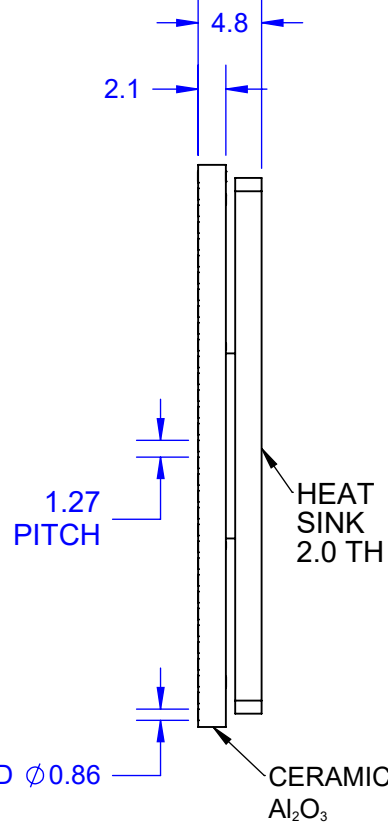


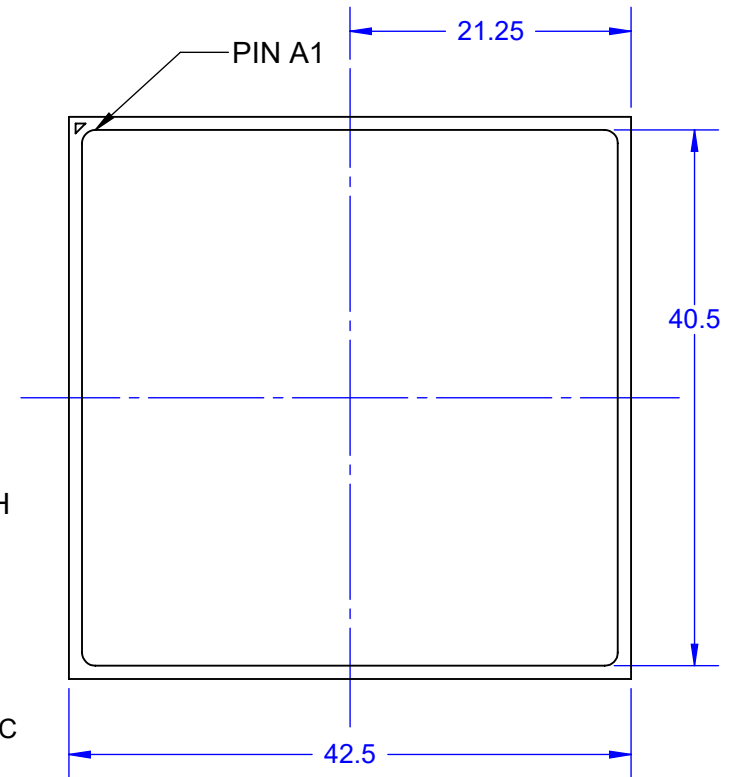
BOTTOM VIEW



A
B
C
D
E
F
G
H
J
K
L
M
N
P
R
T
U
V
W
Y
AA
AB
AC
AD
AE
AF
AG
AH
AJ
AK
AL
AM
AN



TOP VIEW




Notes: (Unless Otherwise Specified)

- 1) DIMENSION ARE IN mm.
- 2) CLGA SHOWN WITHOUT COLUMNS.
- 3) 1088 PADS.
- 4) DIE SIZE 14 x 14 x 0.7 MM.
- 5) PART NUMBER CLGA1088T1.27-D.

PART NUMBER OPTIONS

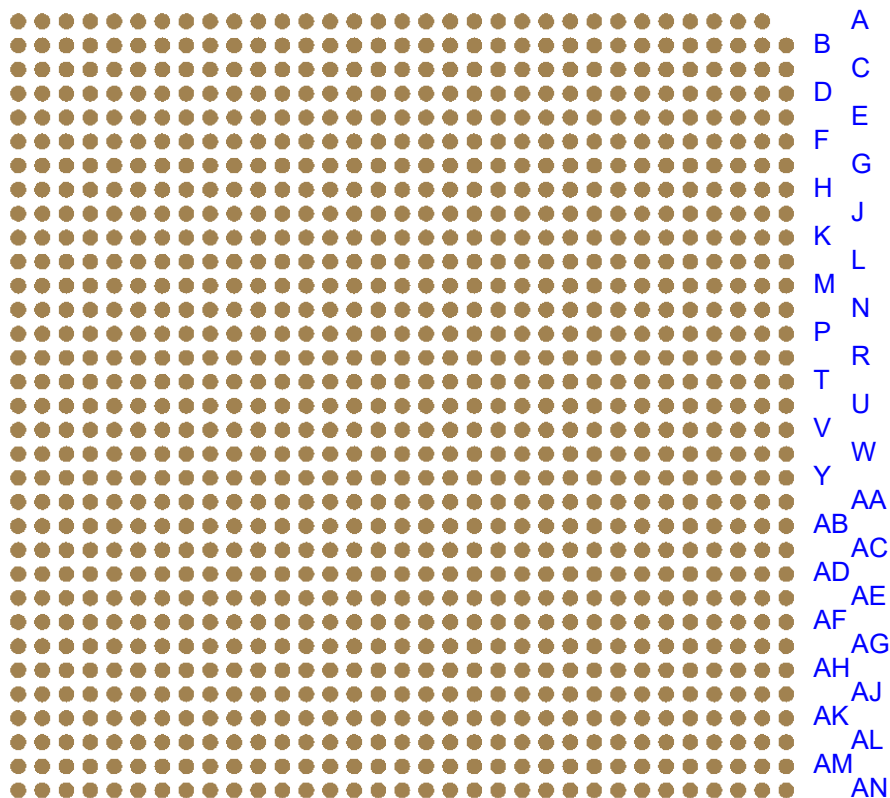
PART NUMBER	DUMMY DIE	SOLDER PIN	HEAT SINK
CLGA1088T1.27-D	YES	NONE	YES

APPROVALS	DATE				
DRAWN T.Au	3/11/2021				
ENG M. Hart	3/11/2021	TITLE CLGA1088T1.27-D COLUMN GRID ARRAY			
MFG		SCALE 1.75:1	SIZE A	DRAWING NO. 160123	REV A
QA		DO NOT SCALE DRAWING			SHEET 1 OF 2
CUST					
REVISED					

PAD PATTERN

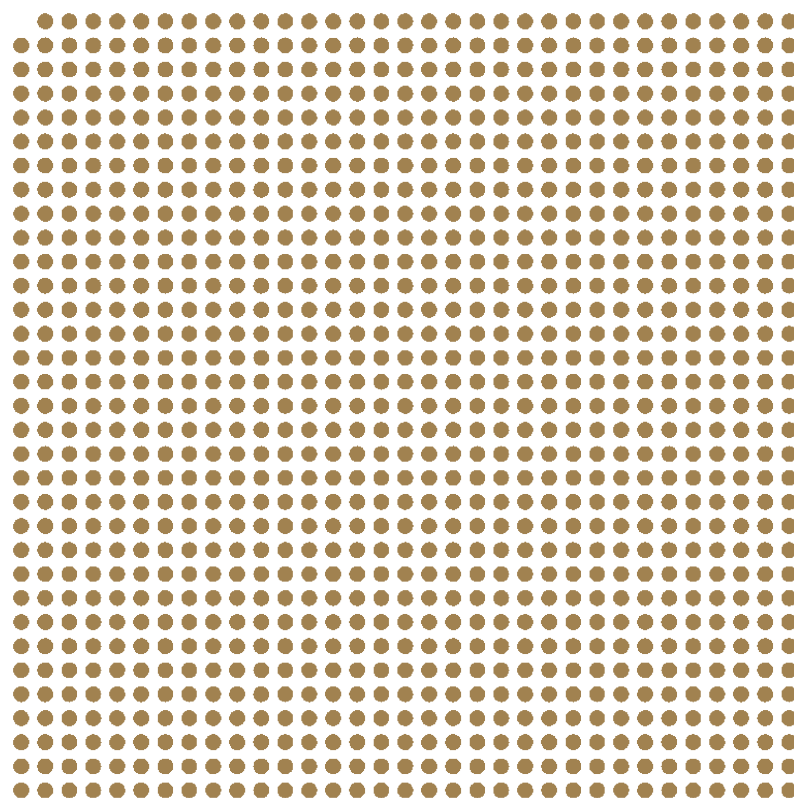
COLUMN VIEW

33 31 29 27 25 23 21 19 17 15 13 11 9 7 5 3 1
 32 30 28 26 24 22 20 18 16 14 12 10 8 6 4 2



BOTTOM X-RAY VIEWED FROM TOP

1 3 5 7 9 11 13 15 17 19 21 23 25 27 29 31 33
 2 4 6 8 10 12 14 16 18 20 22 24 26 28 30 32



TopLine®

TITLE CLGA1088T1.27-D
 COLUMN GRID ARRAY

SCALE 2.75:1	SIZE A	DRAWING NO. 160123	REV A
-----------------	-----------	-----------------------	----------

DO NOT SCALE DRAWING

SHEET 2 OF 2