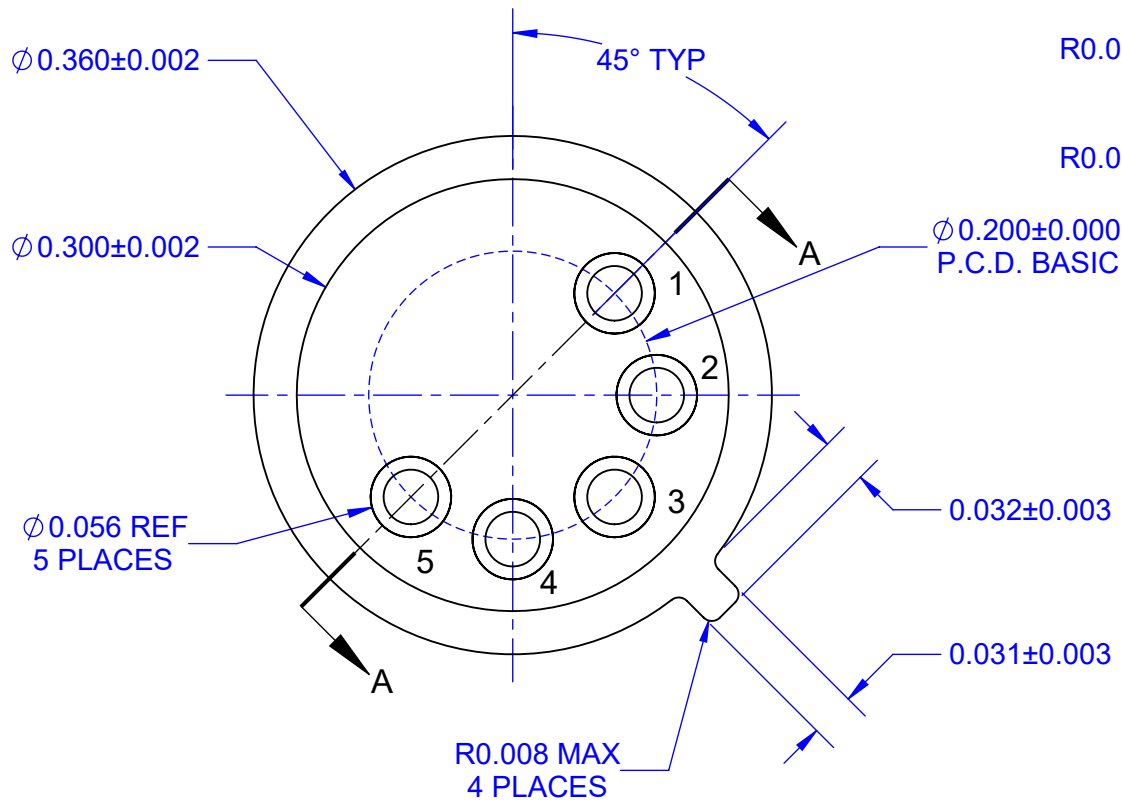
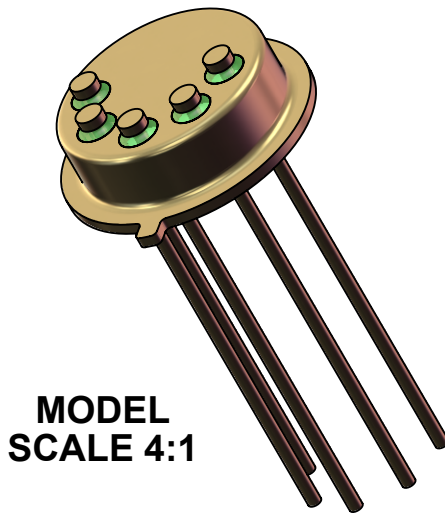


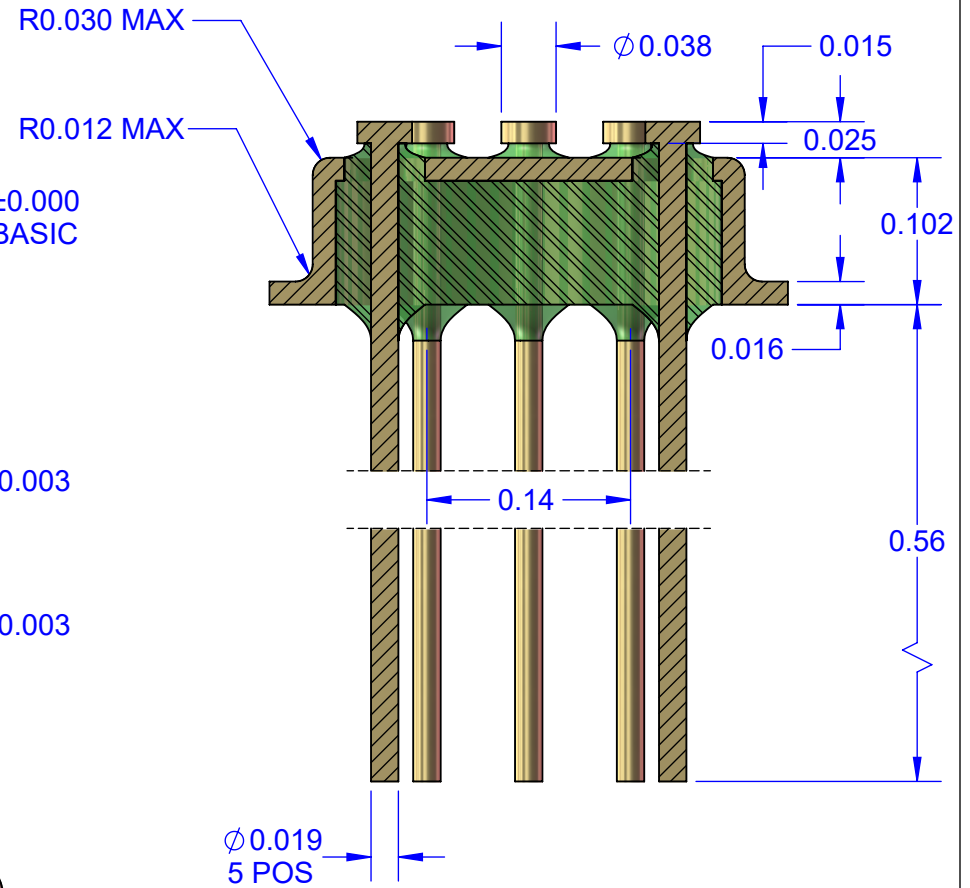
TOP VIEW



NAILHEAD TOP SURFACE FREE OF GLASS



SECTION VIEW A-A



SECTION A-A
SCALE 7.5 : 1

- NOTES:
- DIMMENSIONS in MM (Unless Otherwise Specified).
 - BODY KOVAR ASTM F45 ALLOY 42.
 - LEADS KOVAR ASTM F15.
 - GLASS 7052 OR EQUIVALENT.
 - PLATING: Ni 100~300 Micro-inch
Au 50 Micro-inch MIN

APPROVALS	DATE	TopLine®			
DRAWN T. Au	01/08/16				
ENG M. Hart	01/08/16	TITLE TO-5 HEADER 5L			
MFG		SCALE 7.5:1	SIZE A	DRAWING NO. 162345	REV A
QA		DO NOT SCALE DRAWING			SHEET 1 OF 1
CUST					
REVISED					