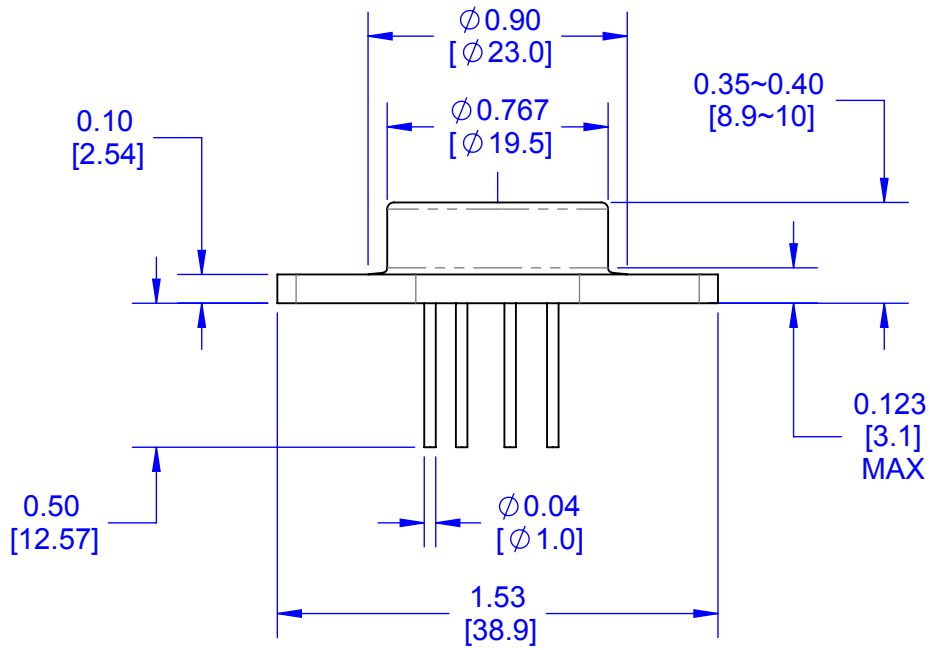
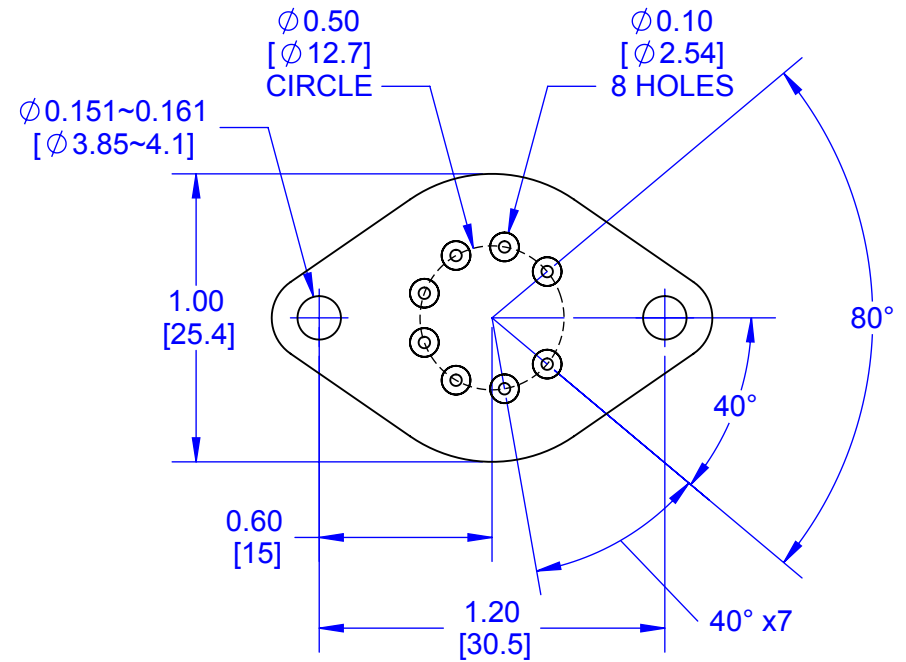


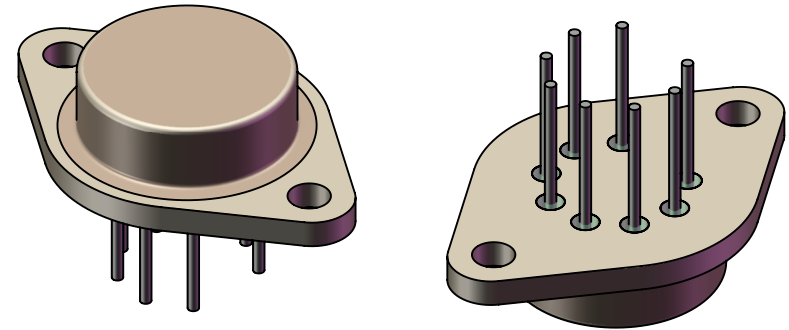
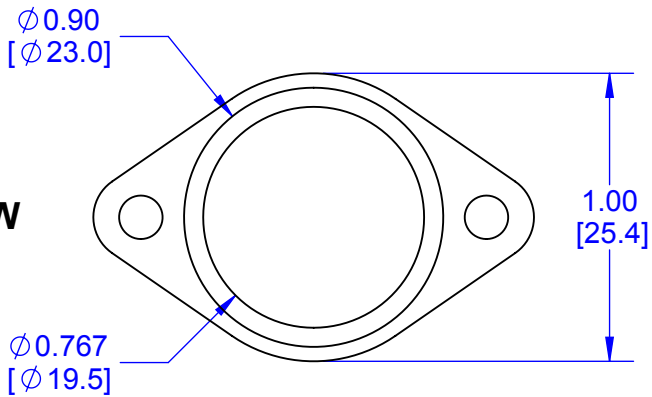
SIDE VIEW



BOTTOM VIEW




TOP VIEW



MODEL

PART NUMBER	NUMBER LEADS	LID	PLATING	INTERNAL HEAT SINK	DWG
TO3-8	8-L	ATTACHED	Ni	NO	803809
TO3-8-N	8-L	UNATTACHED	Ni	STANDARD	803800
TO3-8-OFHC-N-G	8-L	UNATTACHED	Ni/Au	OFHC	803820

APPROVALS	DATE				
DRAWN T. Au	03/23/14				
ENG M. Hart	03/23/14	TITLE TO-3 8L PACKAGE			
MFG		SCALE 1.5:1	SIZE A	DRAWING NO. 803809	REV A
QA		DO NOT SCALE DRAWING			SHEET 1 OF 1
CUST					
REVISED					