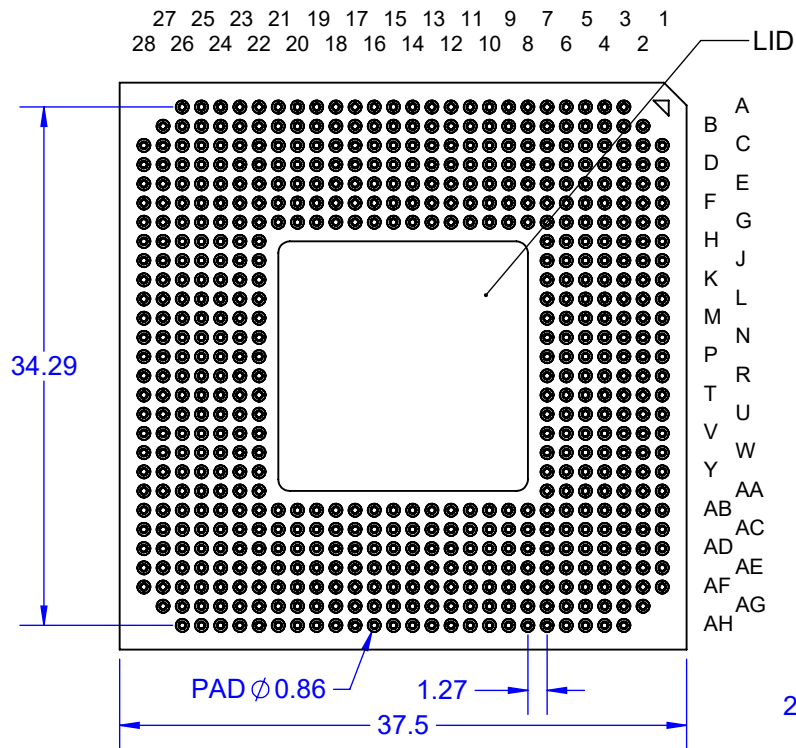
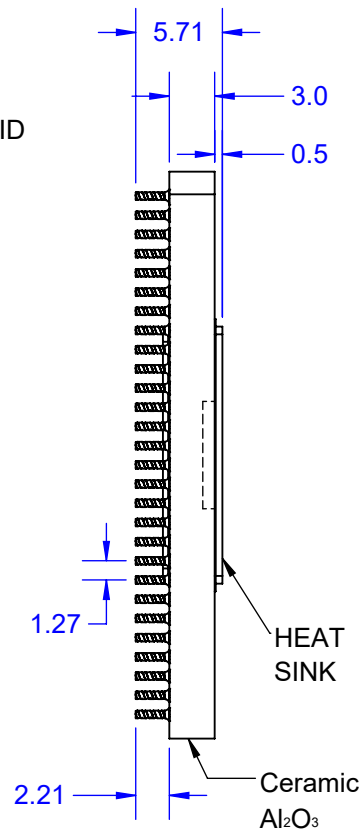


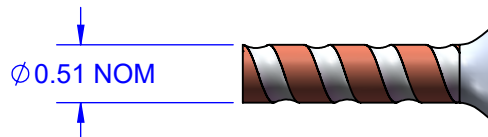
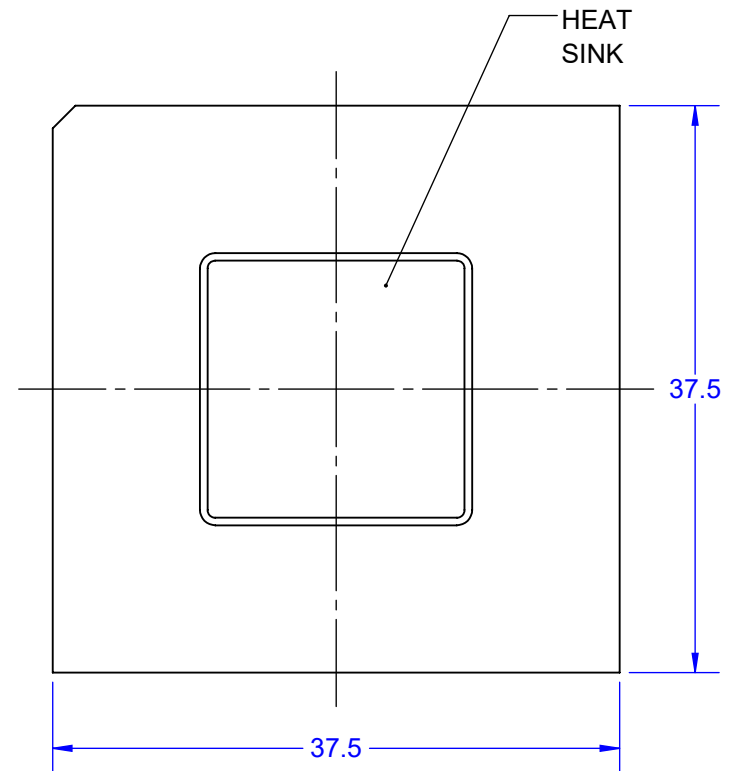
BOTTOM VIEW WITH LID CAVITY DOWN



SIDE VIEW



TOP VIEW WITH HEAT SINK



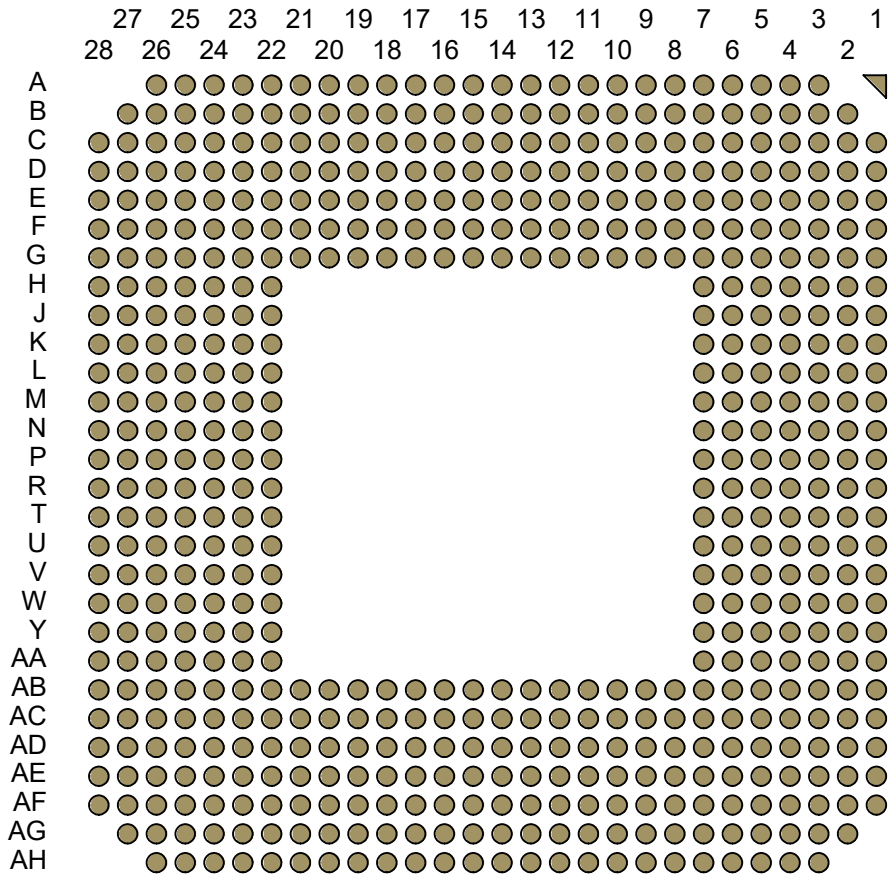
- Notes: (Unless Otherwise Specified).
 1) DIMENSIONS ARE MM.
 2) SHOWN WITH COLUMNS.
 3) SHOWN WITH LID COVER ATTACHED.

PART NUMBER OPTIONS			
PART NUMBER	COLUMN ALLOY	COPPER WRAP	DIAMETER
CCGA576T1.27-28x28	Pb80 / Sn20	YES	Ø0.51mm

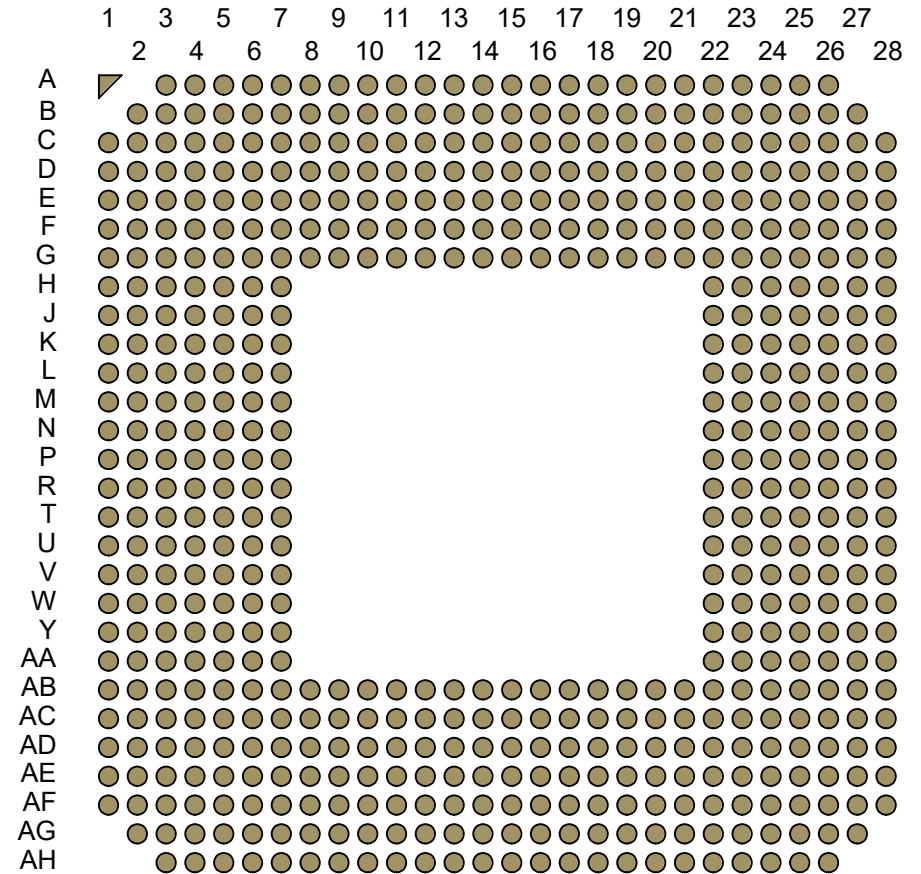
APPROVALS	DATE	TopLine®			
DRAWN T. Au	8/7/2022				
ENG M. Hart	8/7/2022	TITLE CCGA576T1.27-28x28 COLUMN GRID ARRAY			
MFG		SCALE 2.5:1	SIZE A	DRAWING NO. 160093	REV A
QA		DO NOT SCALE DRAWING			SHEET 1 OF 5
CUST					
REVISED					

PAD PATTERN

COLUMN (PAD) VIEW



TOP X-RAY VIEW



TopLine®

TITLE CCGA576T1.27-28x28
COLUMN GRID ARRAY

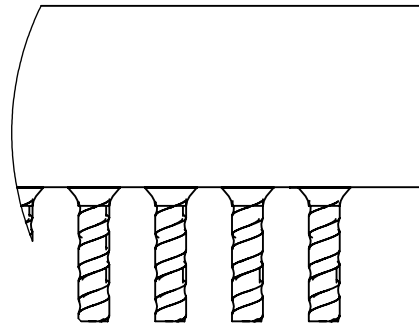
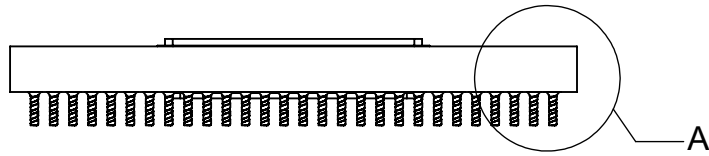
SCALE 4:1	SIZE A	DRAWING NO. 160093	REV A
--------------	-----------	-----------------------	----------

DO NOT SCALE DRAWING

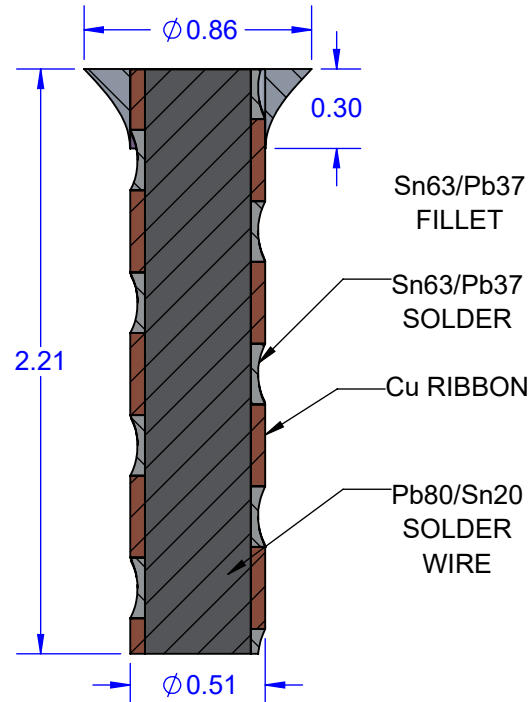
SHEET 2 OF 5

DIMENSIONS: mm

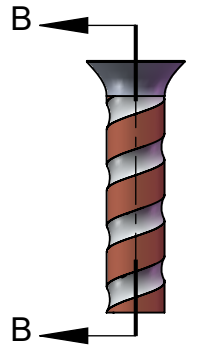
SOLDER PIN Pb80/Sn20



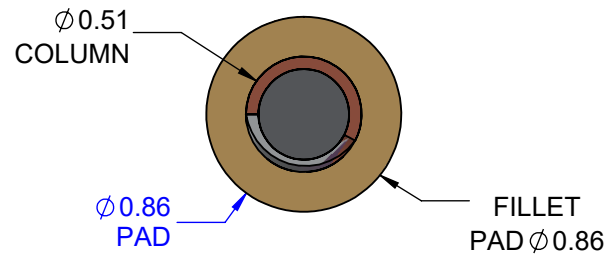
DETAIL A
SCALE 8 : 1



SECTION B-B
SCALE 35 : 1

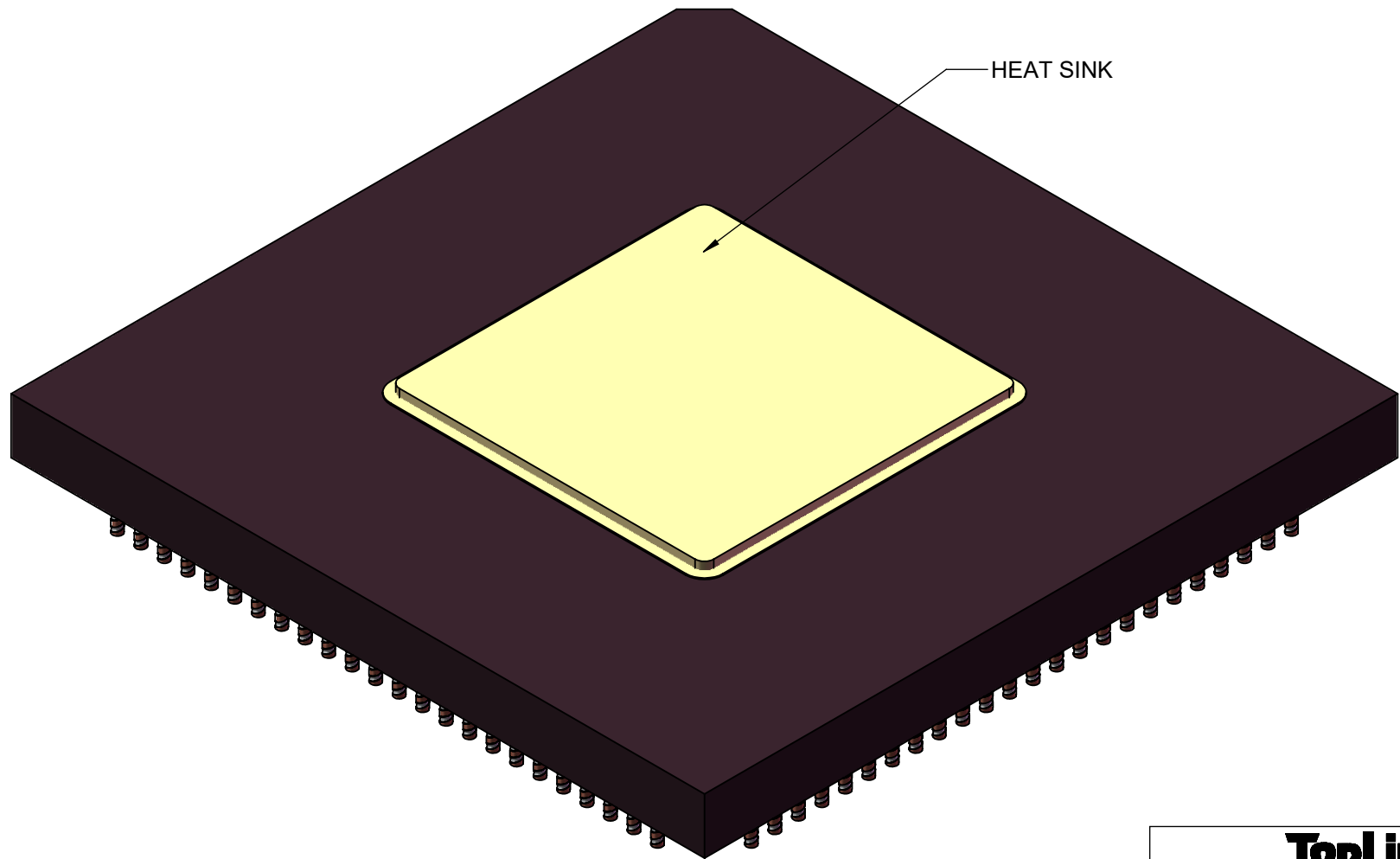


Pb80/Sn20
Cu RIBBON
SCALE 15:1



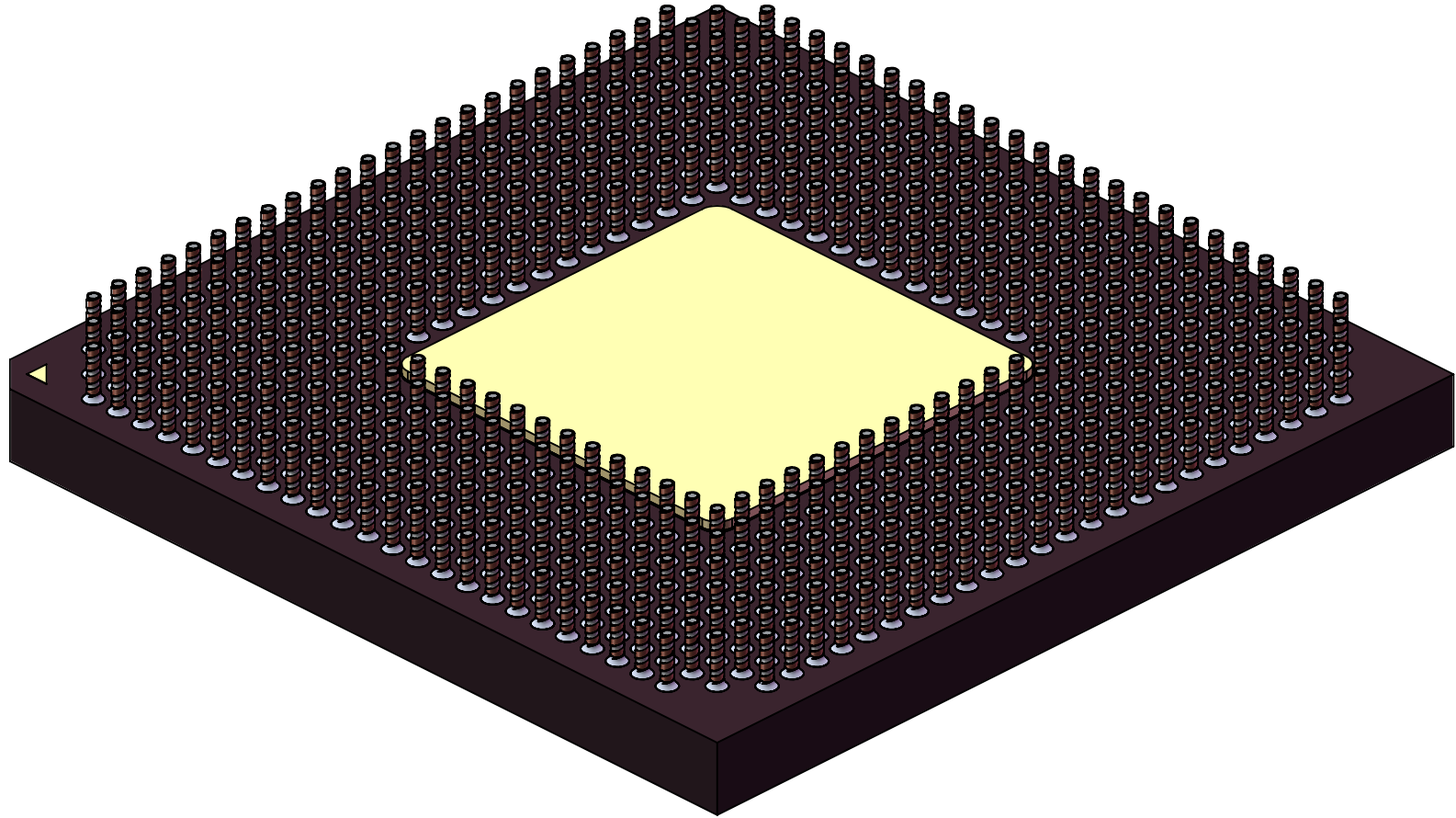
TopLine®			
TITLE CCGA576T1.27-28x28 COLUMN GRID ARRAY			
SCALE 8:1	SIZE A	DRAWING NO. 160093	REV A
DO NOT SCALE DRAWING			SHEET 3 OF 5

**MODEL TOP
CCGA576T1.27-28x28
Pb80/Sn20 COPPER WRAPPED
COLUMNS**



TopLine[®]			
TITLE		CCGA576T1.27-28x28 COLUMN GRID ARRAY	
SCALE	SIZE	DRAWING NO.	REV
2.5:1	A	160093	A
DO NOT SCALE DRAWING			SHEET 4 OF 5

**MODEL BOTTOM
CCGA576T1.27-28x28
Pb80/Sn20 COPPER WRAPPED
COLUMNS**



TopLine®

TITLE CCGA576T1.27-28x28
COLUMN GRID ARRAY

SCALE 2.5:1	SIZE A	DRAWING NO. 160093	REV A
----------------	-----------	-----------------------	----------

DO NOT SCALE DRAWING

SHEET 5 OF 5