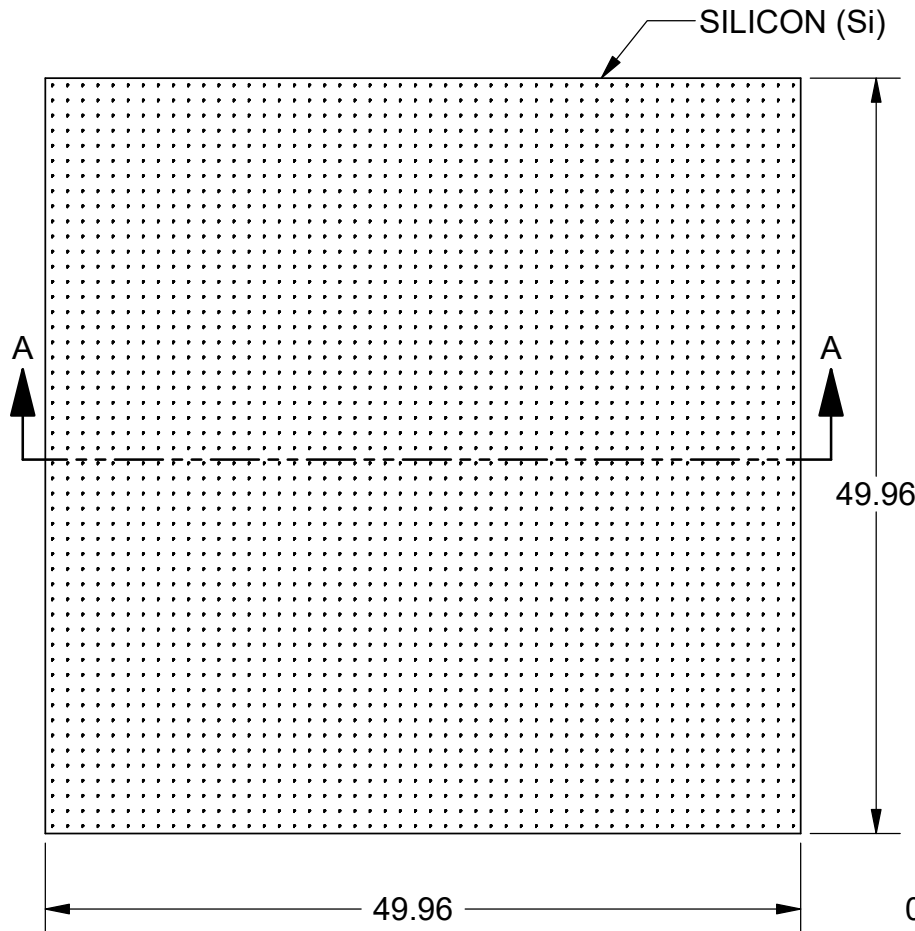
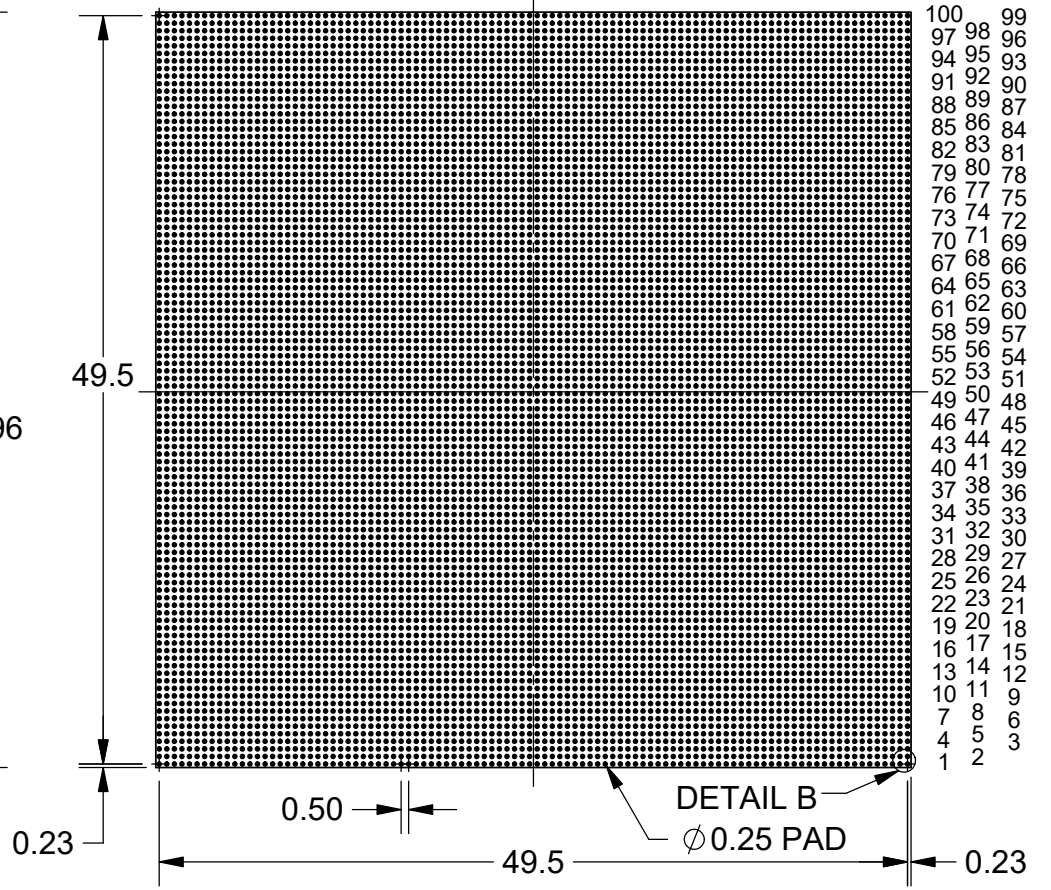


TOP VIEW

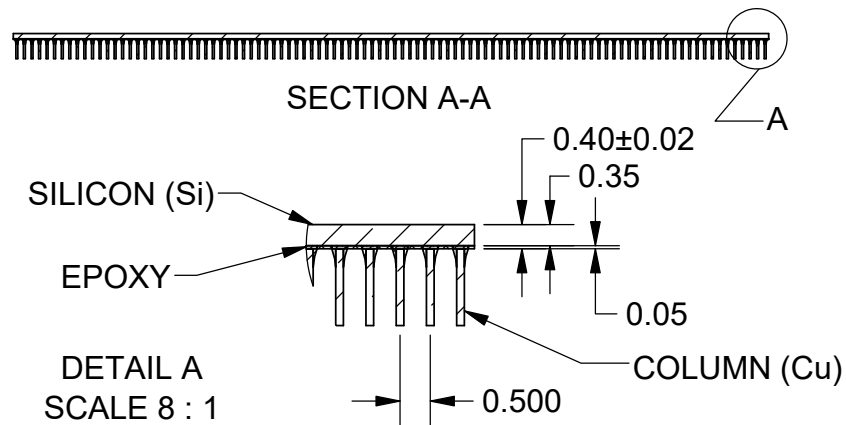


PAD VIEW

DY DU DP DL DH DE DB CW CT CN CK CG CD CA BV BR BM BJ BF BC AY AU AP AL AH AE AB W T N K G D A  
 DV DR DM DJ DF DC CY CU CP CL CH CE CB BW BT BN BK BG BD BA AV AR AM AJ AF AC Y U P L H E B  
 DW DT DN DK DG DD DA CV CR CM CJ CF CC BY BU BP BL BH BE BB AW AT AN AK AG AD AA V R M J F C



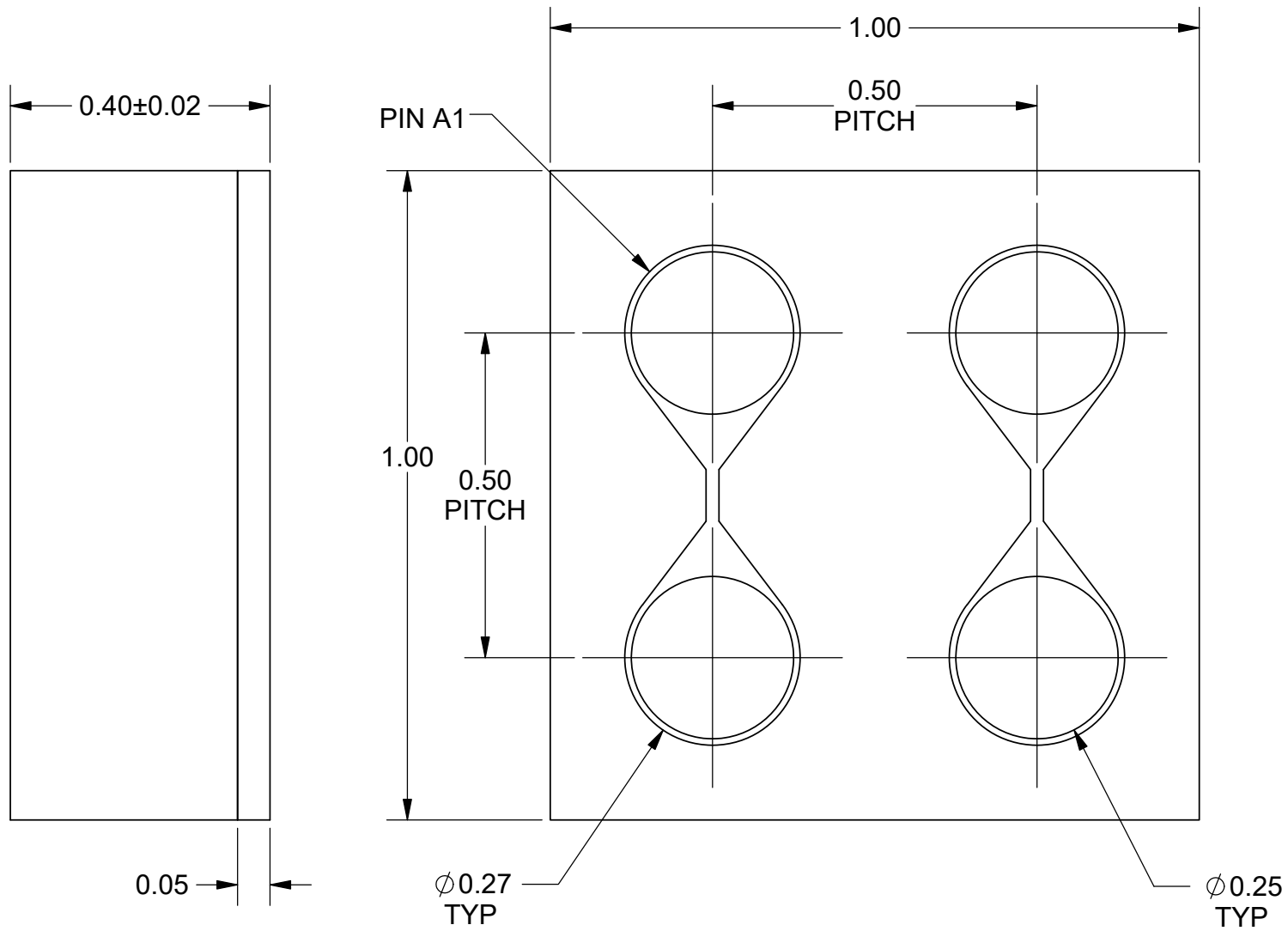
100 99  
 97 98 96  
 94 95 93  
 91 92 90  
 88 89 87  
 85 86 84  
 82 83 81  
 79 80 78  
 76 77 75  
 73 74 72  
 70 71 69  
 67 68 66  
 64 65 63  
 61 62 60  
 58 59 57  
 55 56 54  
 52 53 51  
 49 50 48  
 46 47 45  
 43 44 42  
 40 41 39  
 37 38 36  
 34 35 33  
 31 32 30  
 28 29 27  
 25 26 24  
 22 23 21  
 19 20 18  
 16 17 15  
 13 14 12  
 10 11 9  
 7 8 6  
 4 5 3  
 1 2



- NOTES: (UNLESS OTHERWISE SPECIFIED).  
 1) ALL DIMENSIONS ARE IN MM.  
 2) PAD ALLOY: Cu (50 μm THICK).  
 3) PAD Cu DIAMETER  $\phi$ 0.25.  
 4) DIE MATERIAL: Si (SILICON).  
 5) DAISY CHAIN PATTERN, SEE PAGE 4.

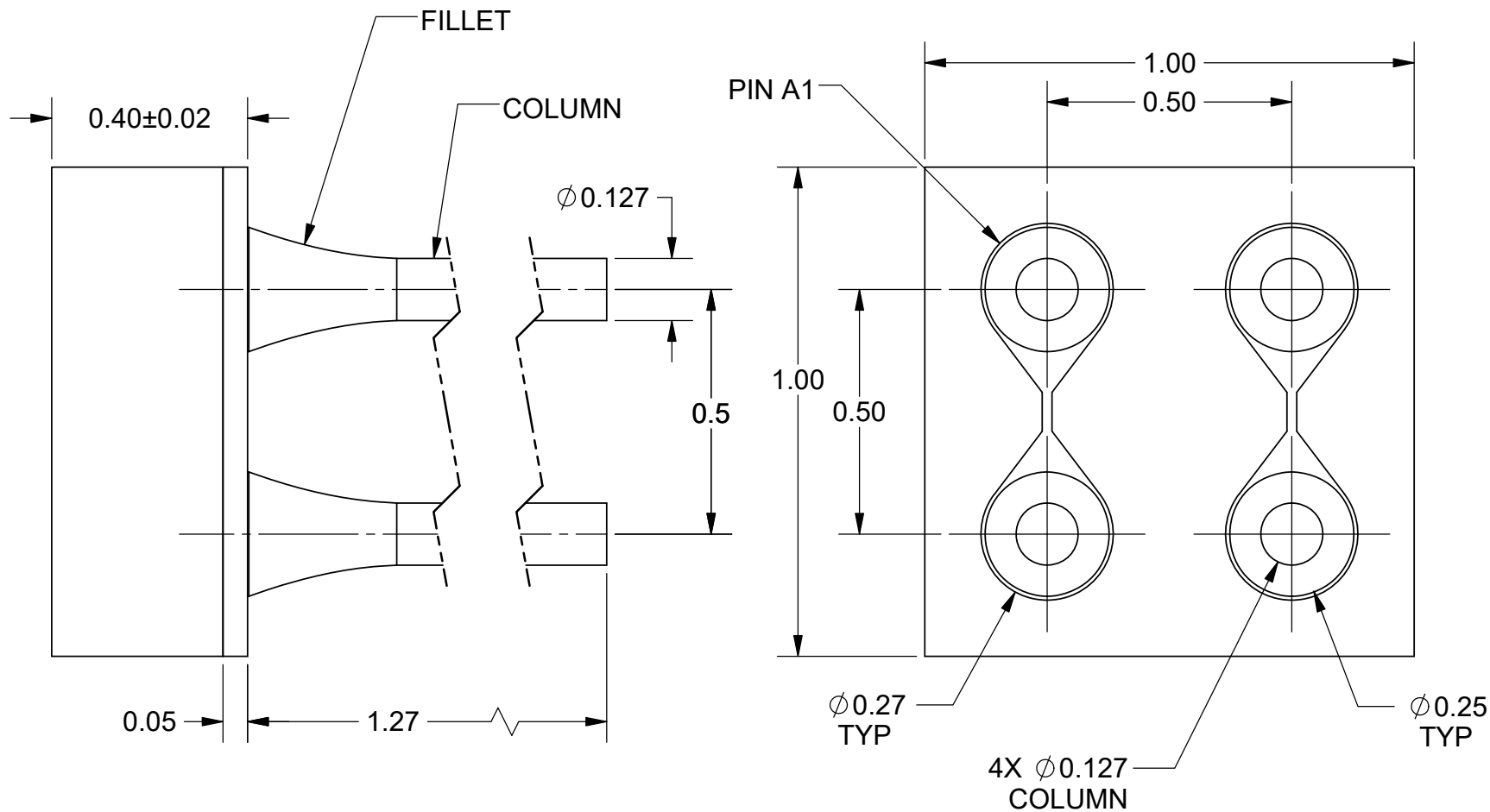
TOLERANCE UNLESS NOTED		APPROVALS		DATE		<b>TopLine</b> TITLE CG1000T.5-DC100 10000L P=0.5mm (DAISY CHAIN)				
X.X	+/- 0.1	DRAWN J. Hines		6/11/2017						
X.XX	+/- 0.05	ENG M. Hart		6/11/2017		SCALE 2:1		SIZE A	DRAWING NO. 651000	REV A
X.XXX	+/- 0.025	MFG				DO NOT SCALE DRAWING		SHEET 1 OF 5		
ANGLES +/- 0.5°		THIRD ANGLE PROJECTION								
ALL DIMENSIONS IN		<input type="checkbox"/> INCHES <input checked="" type="checkbox"/> MILLIMETERS								

DETAIL B  
COPPER PAD  
BEFORE DICING



<b>TopLine®</b>			
TITLE CG10000T.5-DC100 10000L P=0.5mm (DAISY CHAIN)			
SCALE 100:1	SIZE A	DRAWING NO. 651000	REV A
DO NOT SCALE DRAWING		SHEET 2 OF 5	

DETAIL C  
COPPER PAD  
WITH COLUMNS

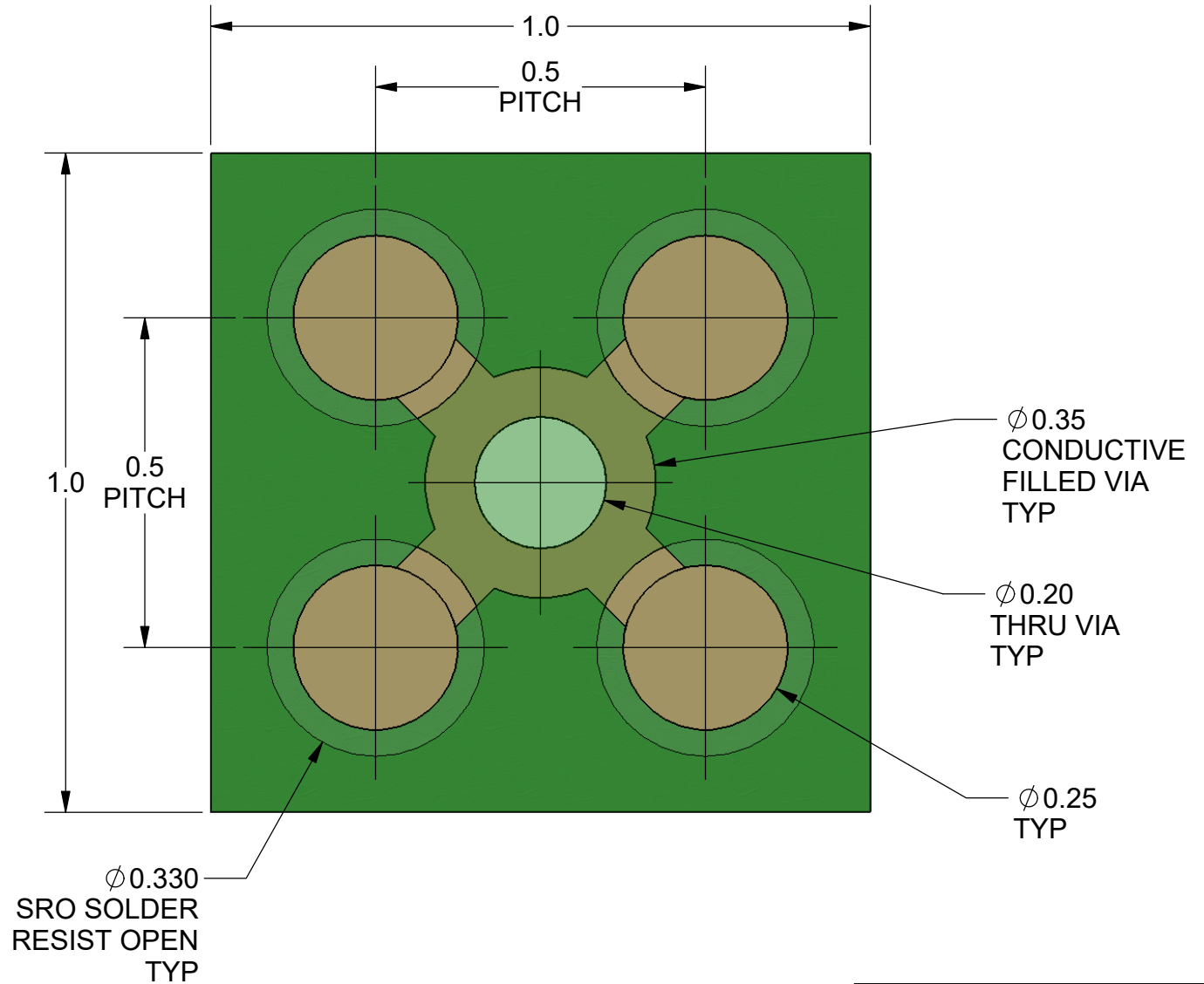


NOTES:

- 1) DIMENSIONS: MM.
- 2) COLUMN MATERIAL: CDA101 COPPER ANNEALED.
- 3) COLUMN PLATING OPTIONS:
  - A. Sn60/Pb40, THICKNESS  $5 \mu\text{m}$  (200 MICRO-INCH).
  - B. Sn100, THICKNESS  $5 \mu\text{m}$  (200 MICRO-INCH).

<b>TopLine</b> <sup>®</sup>			
TITLE CG10000T.5-DC100 10000L P=0.5mm (DAISY CHAIN)			
SCALE 75:1	SIZE A	DRAWING NO. 651000	REV A
DO NOT SCALE DRAWING		SHEET 3 OF 5	

DETAIL D  
RECOMMENDED PCB  
LAND PATTERN  
LAYER 1



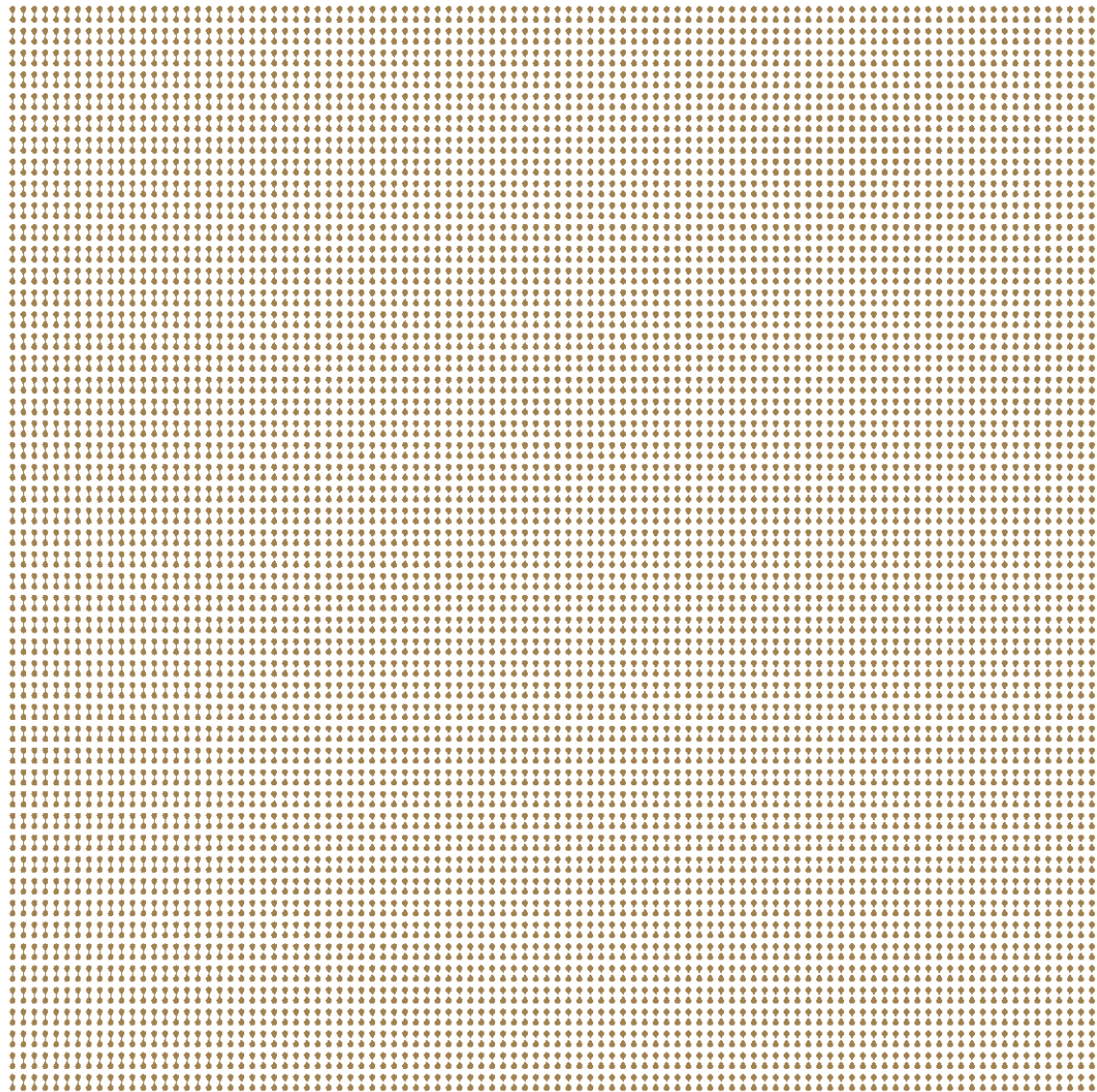
NOTES:

- 1) GROUPS OF FOUR PADS CONNECTED BY TRACES.
- 2) SELECTED PADS CONNECT TO GROUND VIAS.
- 3) VIAS ARE CONDUCTIVELY FILLED AND TENTED ON BOTH SIDES OF PWB.

<b>TopLine</b> <sup>®</sup>			
TITLE CG10000T.5-DC100 10000L P=0.5mm (DAISY CHAIN)			
SCALE 100:1	SIZE A	DRAWING NO. 651000	REV A
DO NOT SCALE DRAWING		SHEET 4 OF 5	

# DAISY CHAIN PATTERN TOP X-RAY VIEW OF PADS

DW DT DN DK DG DD DA CV CR CM CJ CF CC BY BU BP BL BH BE BB AW AT AN AK AG AD AA V R M J F C  
 DV DR DM DJ DF DC CY CU CP CL CH CE CB BW BT BN BK BG BD BA AV AR AM AJ AF AC Y U P L H E B  
 DY DU DP DL DH DE DB CW CT CN CK CG CD CA BV BR BM BJ BF BC AY AU AP AL AH AE AB W T N K G D A



100 99 98  
 97 96 95  
 94 93 92  
 91 90 89  
 88 87 86  
 85 84 83  
 82 81 80  
 79 78 77  
 76 75 74  
 73 72 71  
 70 69 68  
 67 66 65  
 64 63 62  
 61 60 59  
 58 57 56  
 55 54 53  
 52 51 50  
 49 48 47  
 46 45 44  
 43 42 41  
 40 39 38  
 37 36 35  
 34 33 32  
 31 30 29  
 28 27 26  
 25 24 23  
 22 21 20  
 19 18 17  
 16 15 14  
 13 12 11  
 10 9 8  
 7 6 5  
 4 3 2  
 1

<b>TopLine</b> <sup>®</sup>			
TITLE CG10000T.5-DC100 10000L P=0.5mm (DAISY CHAIN)			
SCALE 3:1	SIZE A	DRAWING NO. 651000	REV A
DO NOT SCALE DRAWING			SHEET 5 OF 5