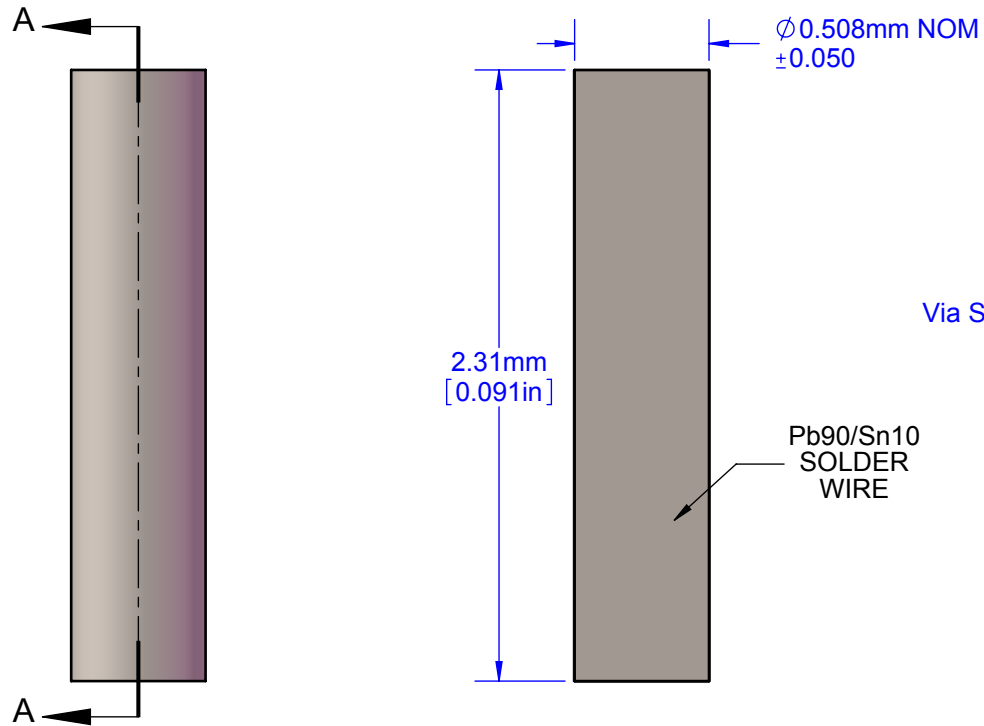
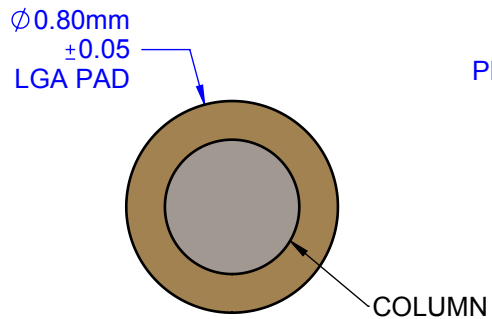
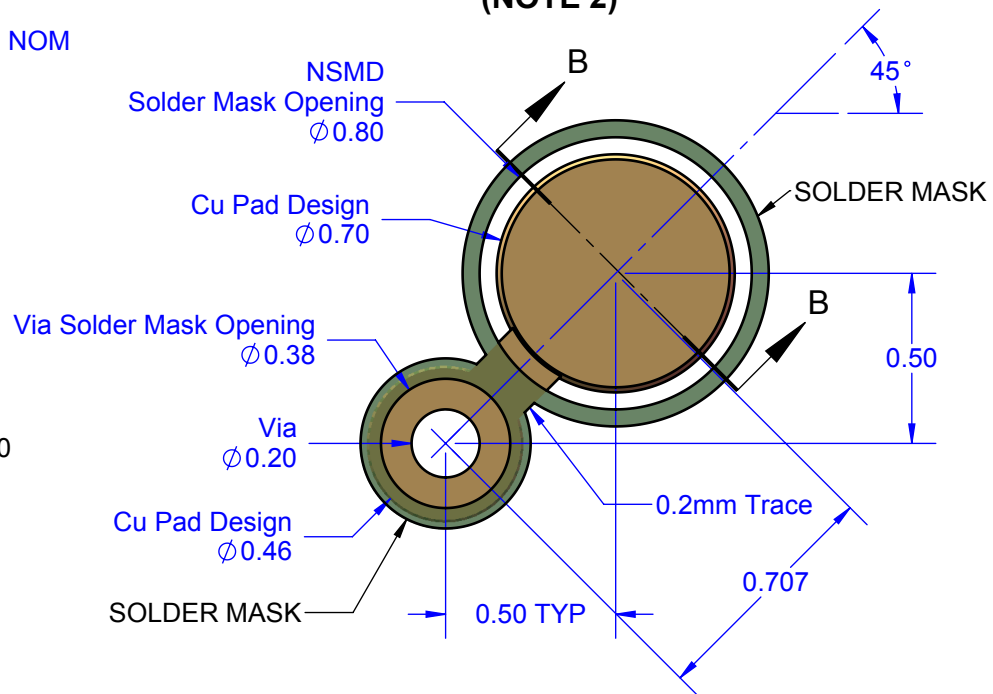


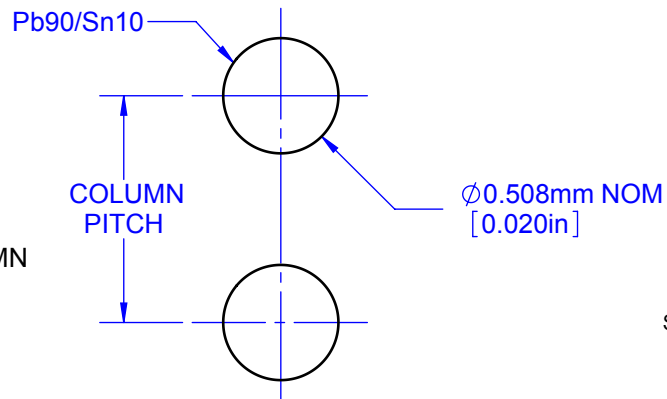
SECTION VIEW



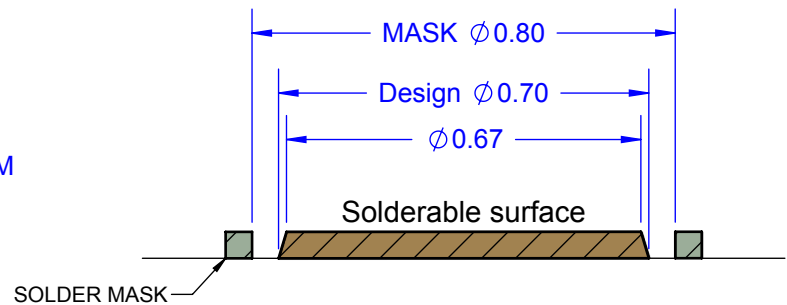
PCB LAND PATTERN (NOTE 2)



LGA - LAND GRID ARRAY PAD PLATING Ni-Au



Cu PAD SIDE VIEW PCB BOARD



Section B-B

Notes: (Unless Otherwise Specified).

- 1) DIMENSIONS IN mm [INCHES].
- 2) PCB BOARD DIMENSIONS ARE PRESENTED ONLY AS A GUIDELINE. DESIGNERS SHOULD USE THEIR OWN EXPERIENCE WHEN DESIGNING PCB.

APPROVALS	DATE	TopLine®			
DRAWN T.Au	02/16/15				
ENG M. Hart	02/16/15	TITLE CG9010U20x91 CCGA SOLDER COLUMN			
MFG		SCALE 35:1	SIZE A	DRAWING NO. 902091	REV A
QA		DO NOT SCALE DRAWING			SHEET 1 OF 1
CUST					
REVISED					