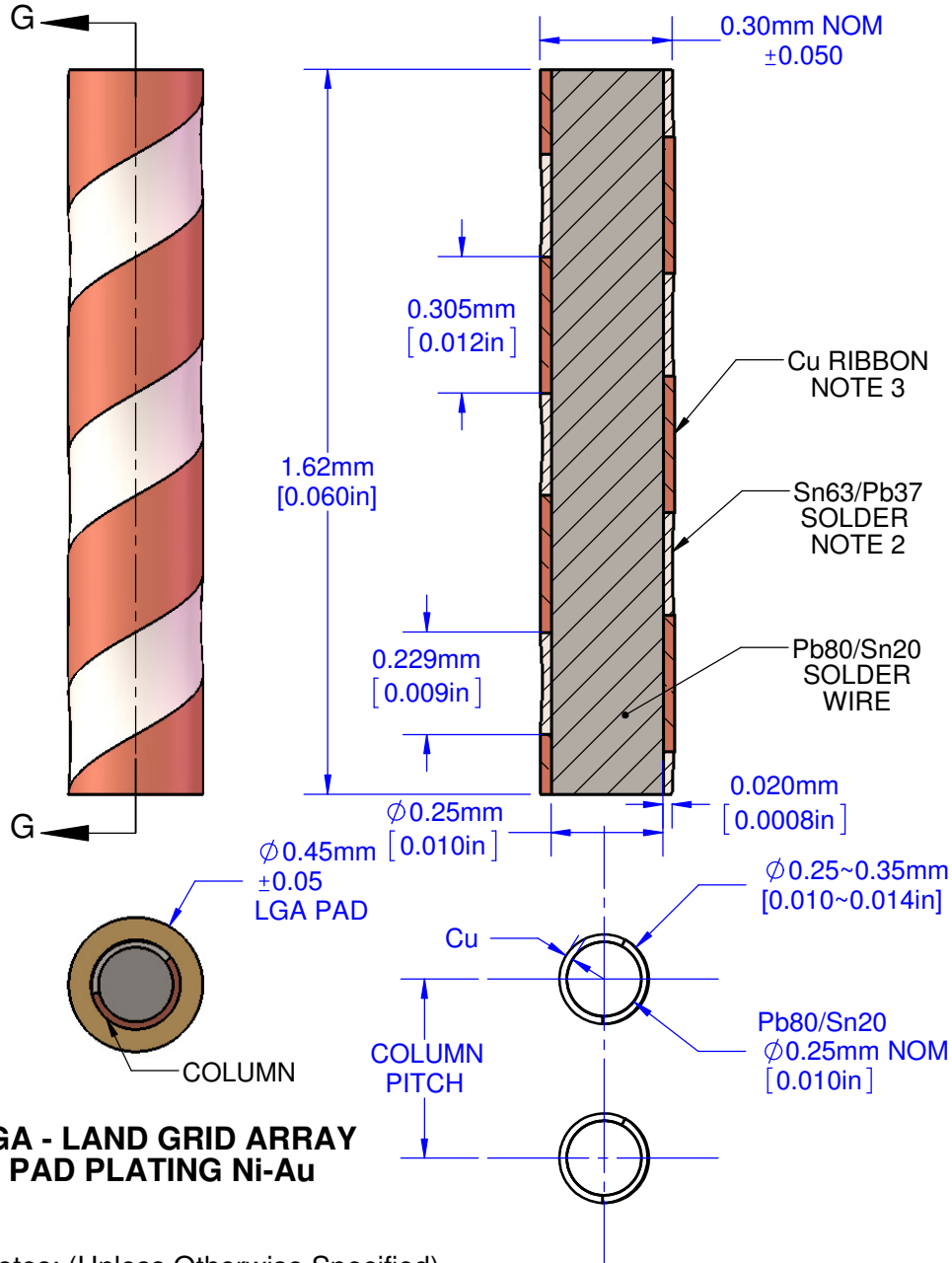


SECTION VIEW

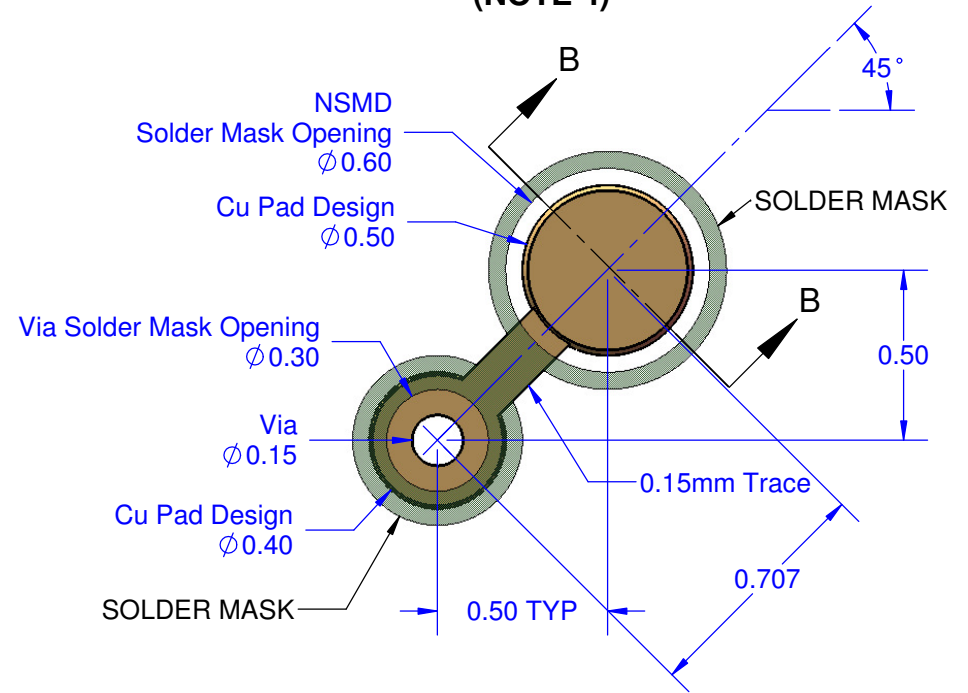


LGA - LAND GRID ARRAY PAD PLATING Ni-Au

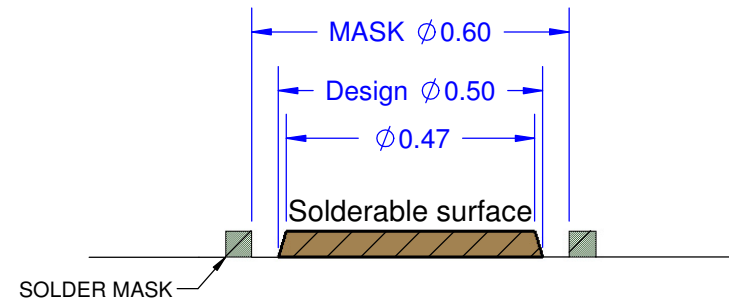
Notes: (Unless Otherwise Specified).

- 1) DIMENSIONS IN mm [INCHES].
- 2) THICKNESS Sn63/Pb37 SOLDER COAT 6~12µm [0.25~0.50mil].
- 3) Cu ALLOY C10100 - OFE (CDA-101). 99.99% PURE.
- 4) PCB BOARD DIMENSIONS ARE PRESENTED ONLY AS A GUIDELINE.
DESIGNERS SHOULD USE THEIR OWN EXPERIENCE WHEN DESIGNING PCB.

PCB LAND PATTERN (NOTE 4)



Cu PAD SIDE VIEW



Section B-B

APPROVALS	DATE	TopLine®			
DRAWN T. Au	9/29/2015				
ENG M. Hart	9/29/2015	TITLE CG8020C12x60 CCGA SOLDER COLUMN			
MFG		SCALE	SIZE	DRAWING NO.	REV
QA		40:1	A	801260	A
CUST		DO NOT SCALE DRAWING			SHEET 1 OF 1
REVISED					