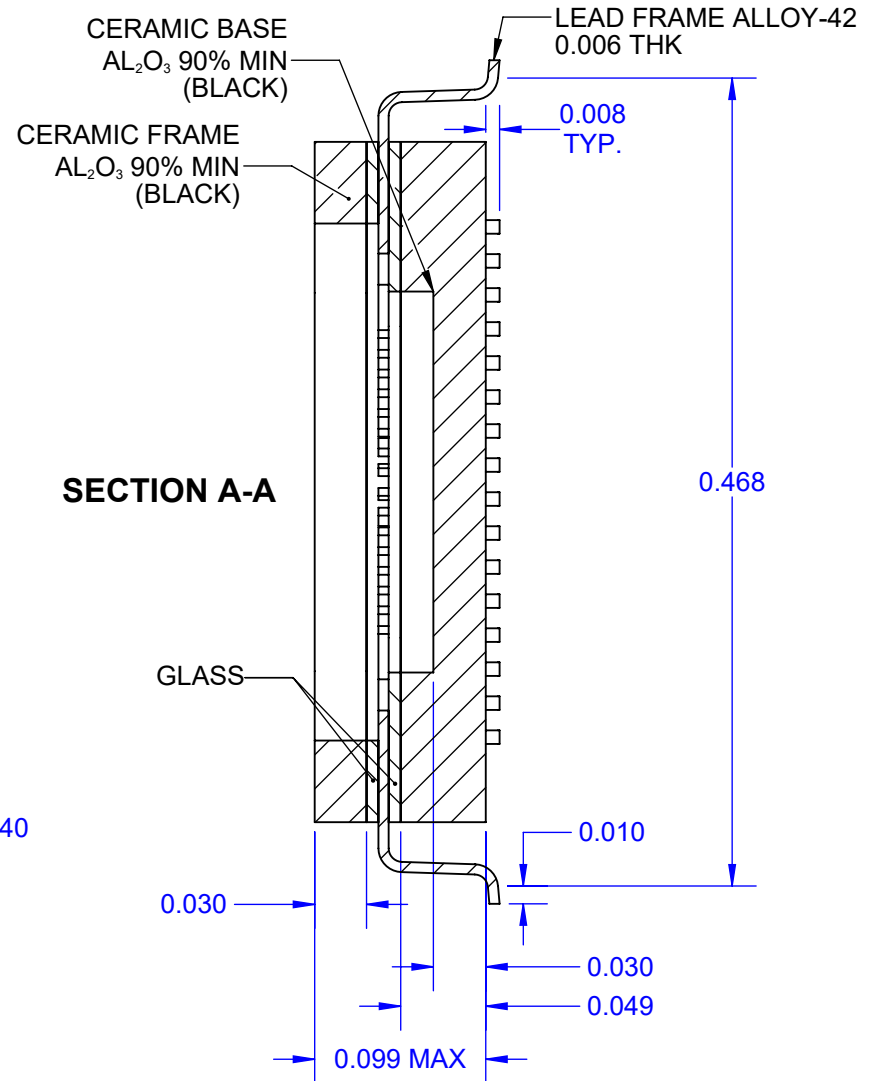
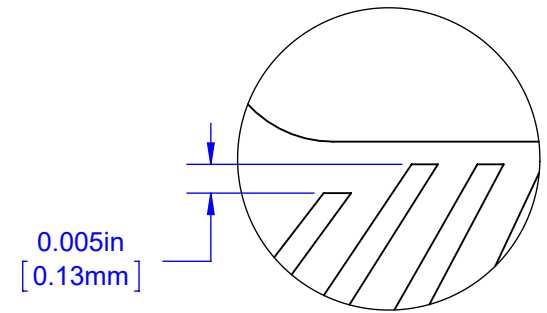
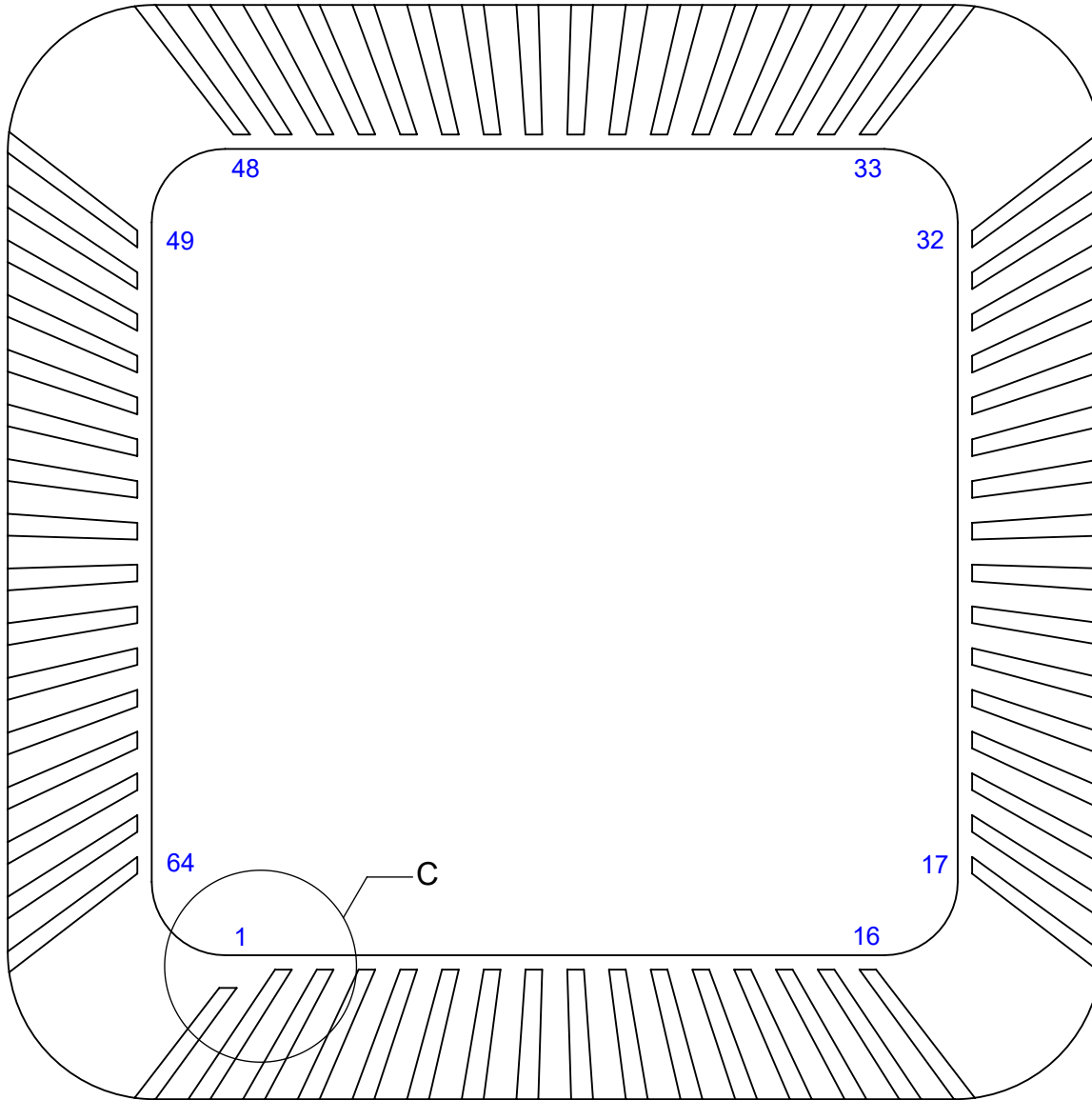


**LEAD FRAME EXCISED FROM TIE-BAR
 TRIMMED AND FORMED TO GULL-WING
 2.4MM FOOTPRINT ADDER**



APPROVALS	DATE	TopLine®			
DRAWN T. Au	08/05/17				
ENG M. Hart	08/05/17	TITLE CERQUAD64G19.7-N220-2.4			
MFG		SCALE 9:1	SIZE A	DRAWING NO. 182559	REV A
CUST		DO NOT SCALE DRAWING			SHEET 1 OF 3
REVISED					

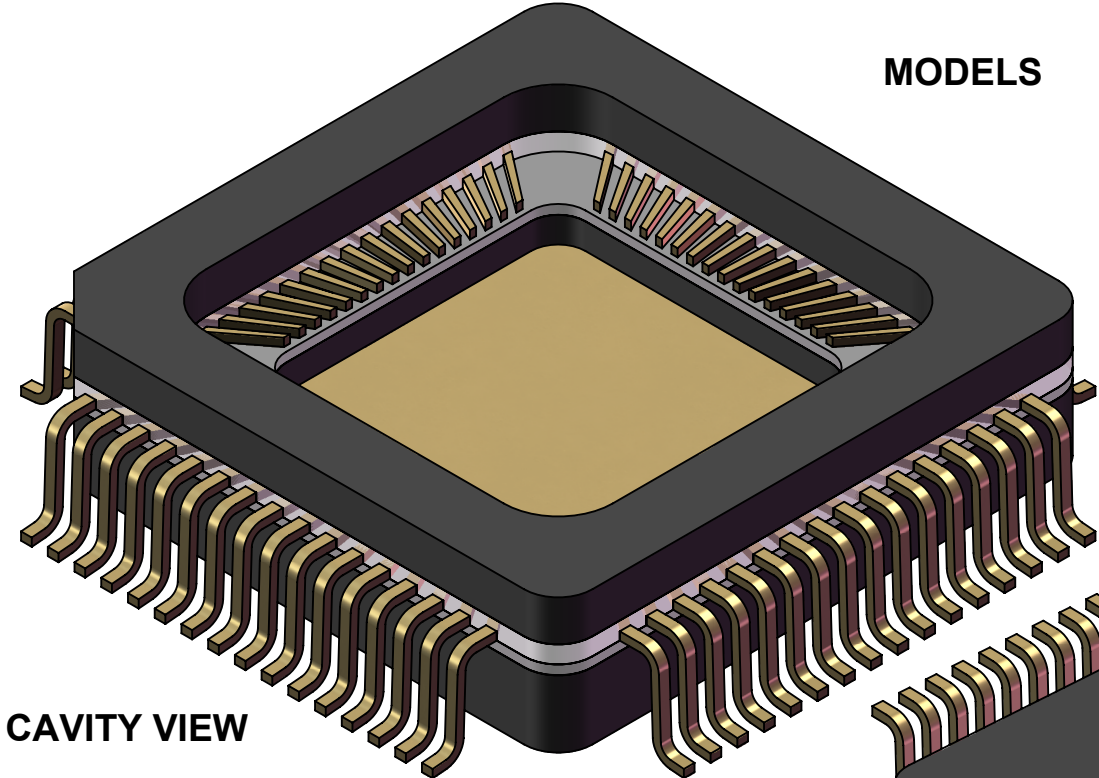
BONDING DIAGRAM



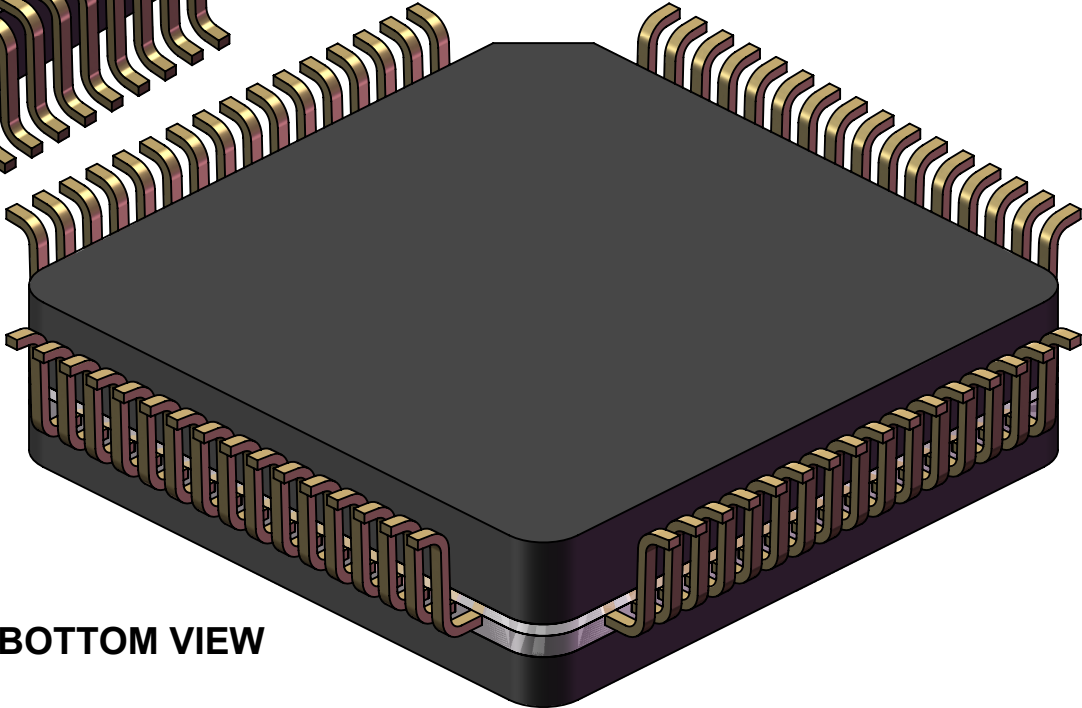
DETAIL C
SCALE 30 : 1

TopLine®			
TITLE CERQUAD64G19.7-N220-2.4			
SCALE 20:1	SIZE A	DRAWING NO. 182559	REV A
DO NOT SCALE DRAWING			SHEET 2 OF 3

MODELS



CAVITY VIEW



BOTTOM VIEW

TopLine®			
TITLE		CERQUAD64G19.7-N220-2.4	
SCALE	SIZE	DRAWING NO.	REV
10:1	A	182559	A
DO NOT SCALE DRAWING			SHEET 3 OF 3