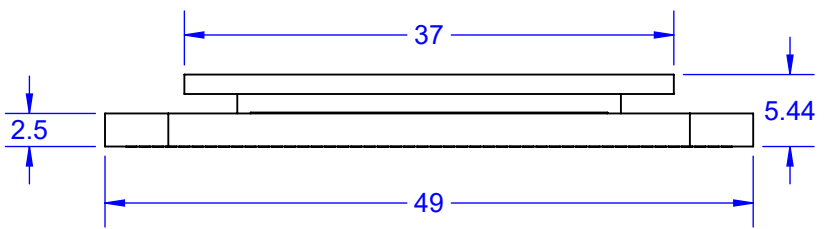
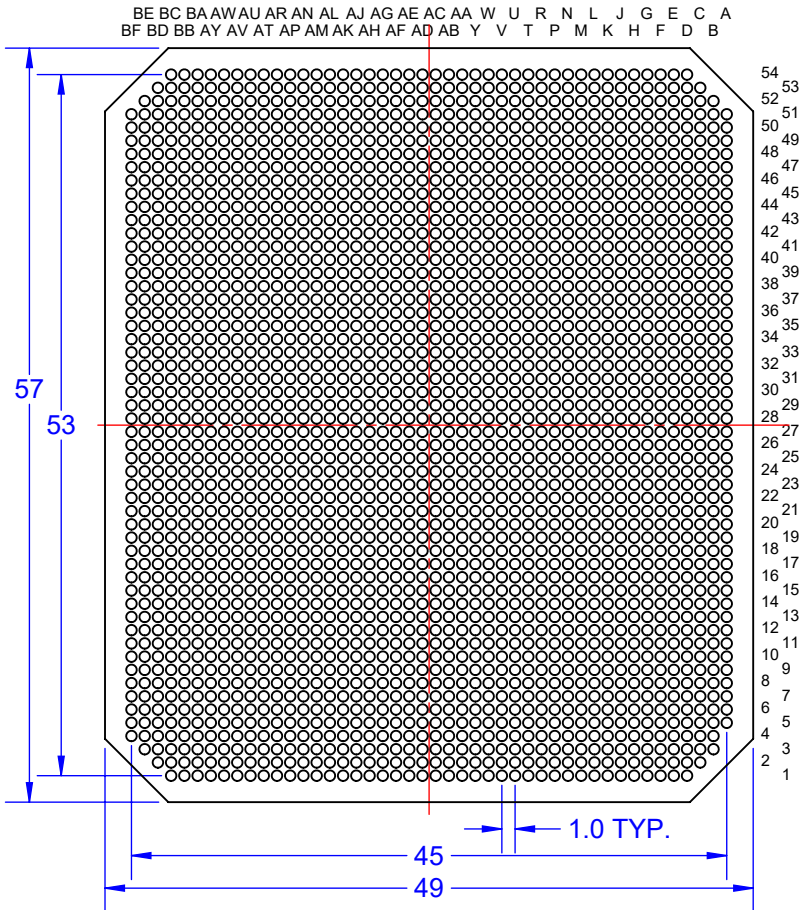
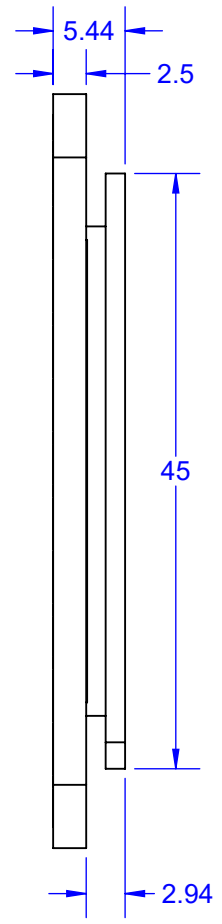


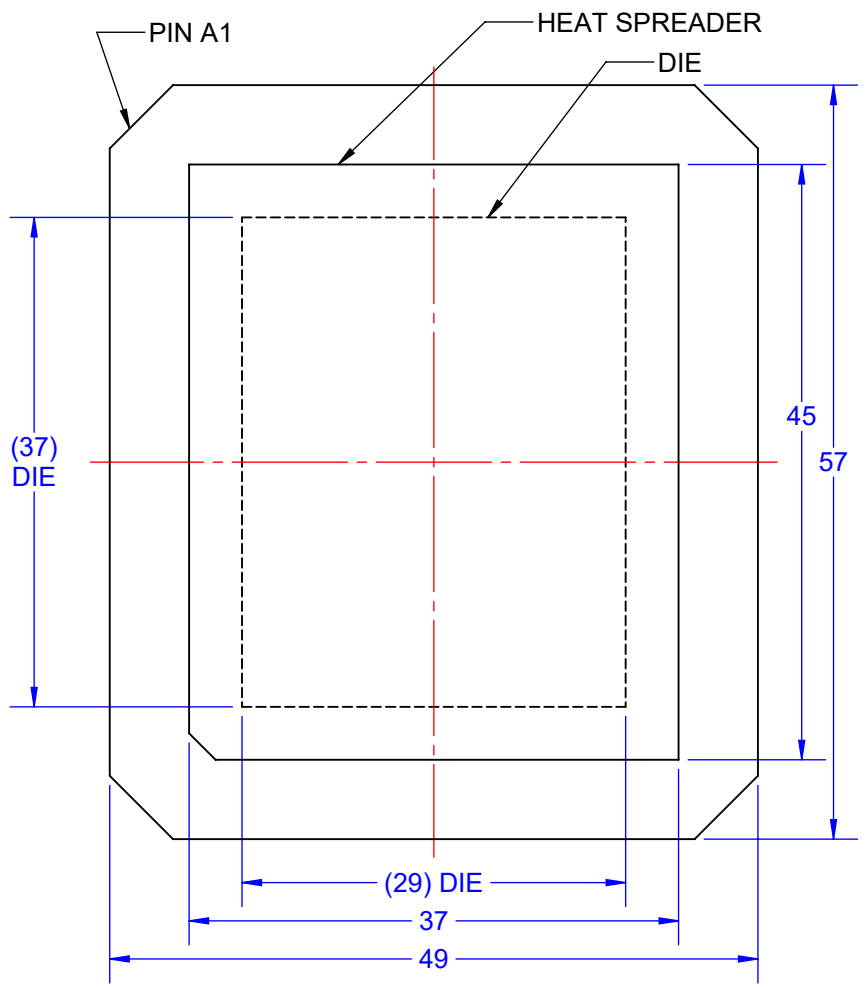
6CHCA J9K



G89 J9K



HCD J9K



- Notes: (Unless Otherwise Specified).
 1) DIMENSIONS ARE MILLIMETER.
 2) SHOWN WITHOUT COLUMNS.
 3) SHOWN WITH HEAT SPREADER ATTACHED.
 4) PART NUMBER CLGA2460T1.0-46x54.

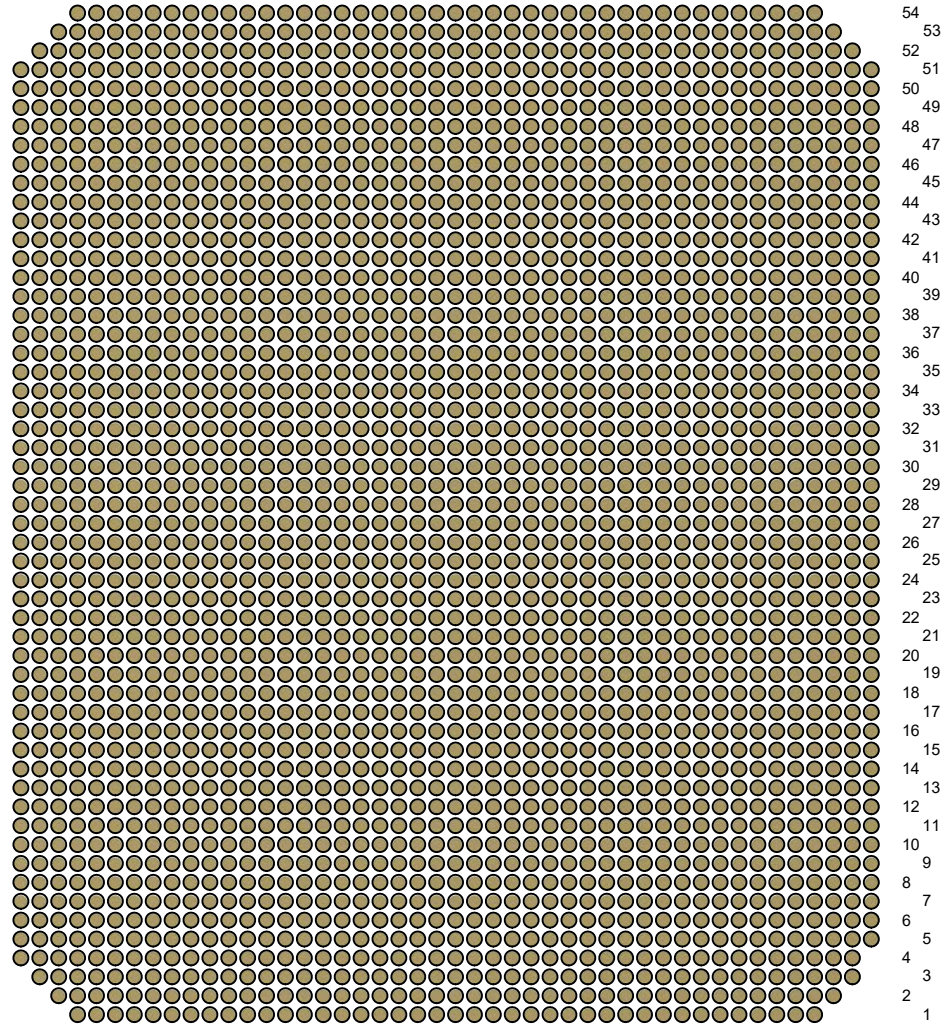
D5FHBI A69F CDHCBG			
D5FHBI A69F	89	GC89F D-B	<95HGDF9589F
CLGA2460T1.0-46x54	YES	NONE	YES

APPROVALS	DATE	TopLine®		
DRAWN T. Au	20/12/2020			
ENG M. Hart	20/12/2020	TITLE CLGA 2460 PITCH 1.0mm LAND GRID ARRAY		
MFG		SCALE 1.75:1	SIZE A	DRAWING NO. 160225
QA				REV A
CUST				
REVISED		DO NOT SCALE DRAWING		SHEET 1 OF 4

D5 8 'D5 HH9 FB

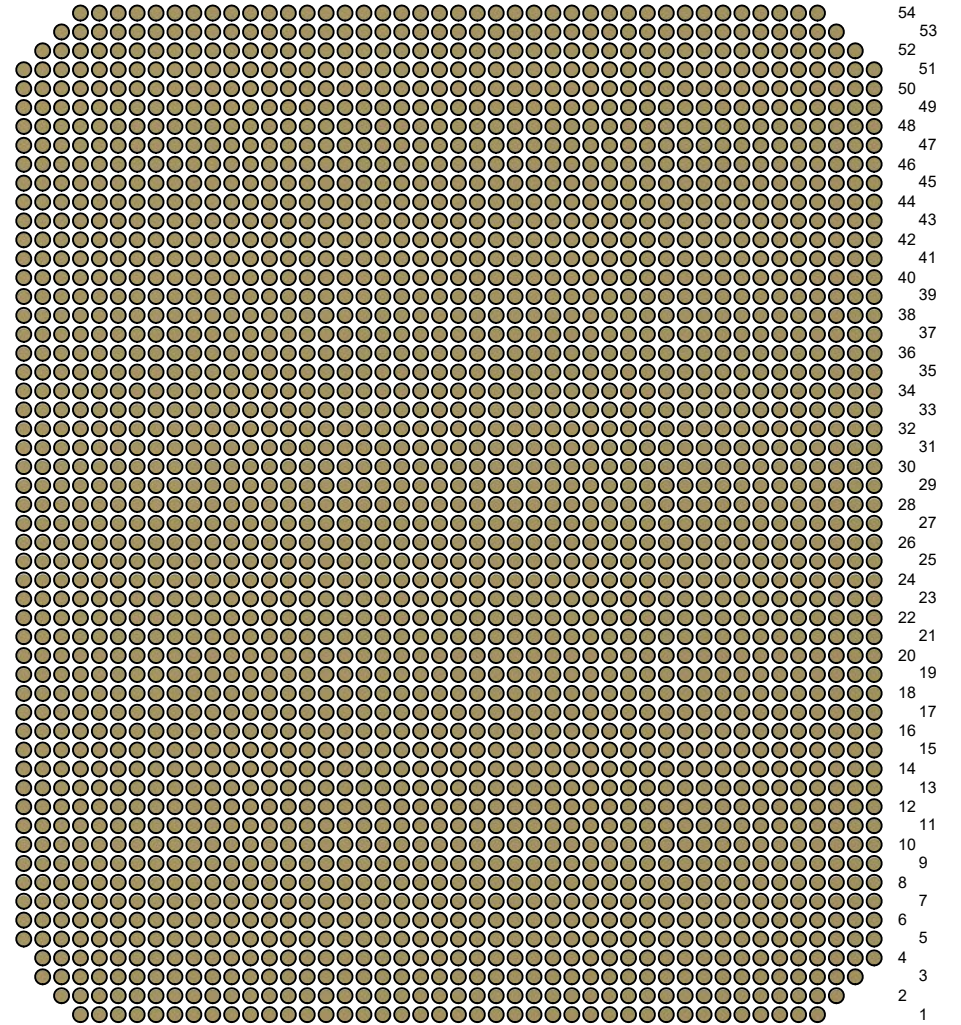
7 C @ AB 'd5 8 L J 9 K

BE BC BA AW AU AR AN AL AJ AG AE AC AA W U R N L J G E C A
 BF BD BB AY AV AT AP AM AK AH AF AD AB Y V T P M K H F D B



6 CHCA 'L!F5 MJ 9 K : FCA 'HCD

A C E G J L N R U W AA AC AE AG AJ AL AN AR AU AW AA AC AE
 B D F H K M P T V Y AB AD AF AH AK AM AP AT AV AY AB AD AF



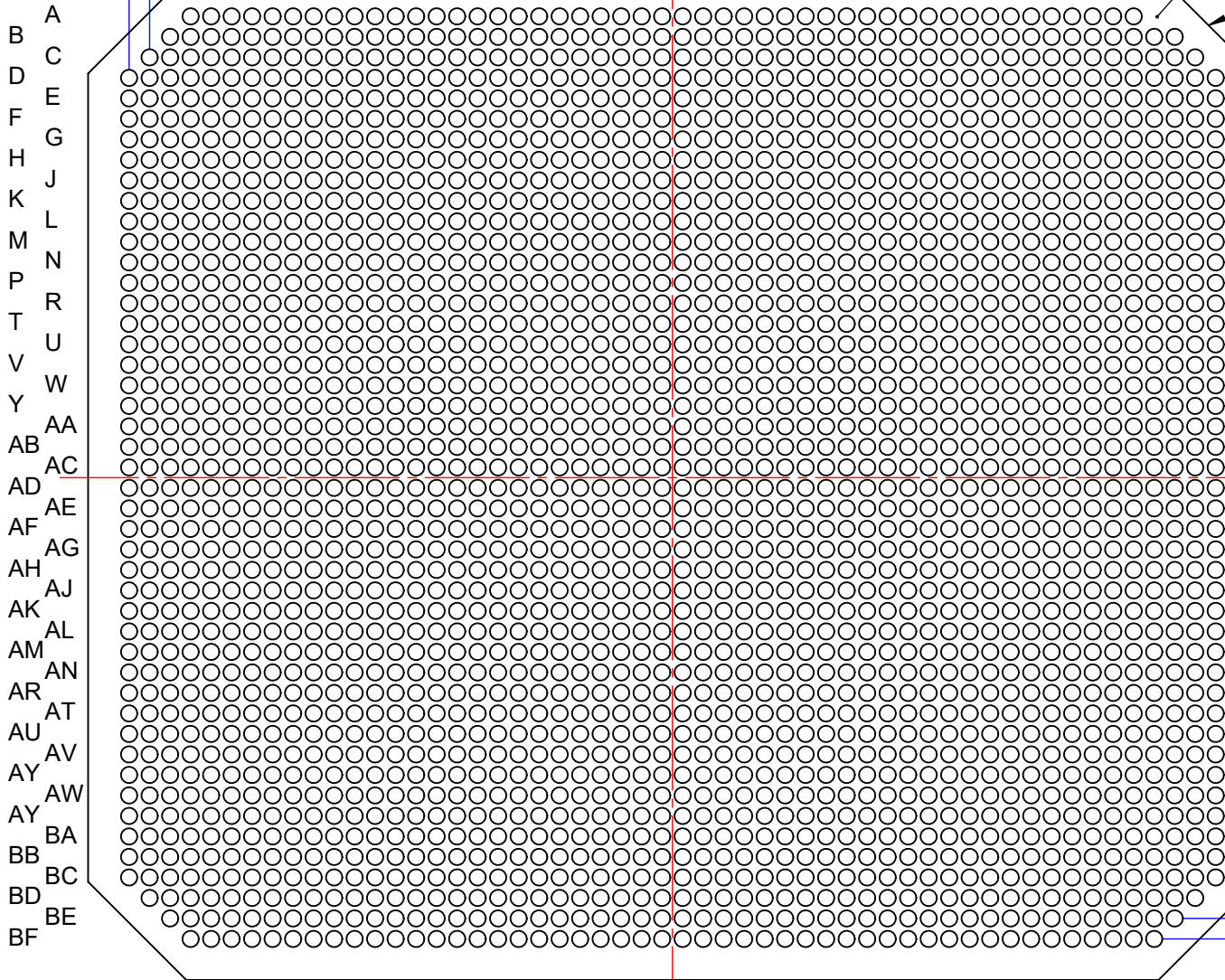
TITLE			
CLGA 2460 PITCH 1.0mm LAND GRID ARRAY			
SCALE	SIZE	DRAWING NO.	REV
2.5:1	A	160225	A
DO NOT SCALE DRAWING			SHEET 2 OF 4

7C @ AB'D58LJ9K

PITCH 1.00MM TYP.

DEPOPULATE 1-COLUMN

A1 CORNER



PITCH 1.00MM TYP.

53 51 49 47 45 43 41 39 37 35 33 31 29 27 25 23 21 19 17 15 13 11 9 7 5 3 1
 54 52 50 48 46 44 42 40 38 36 34 32 30 28 26 24 22 20 18 16 14 12 10 8 6 4 2

TopLine[®]

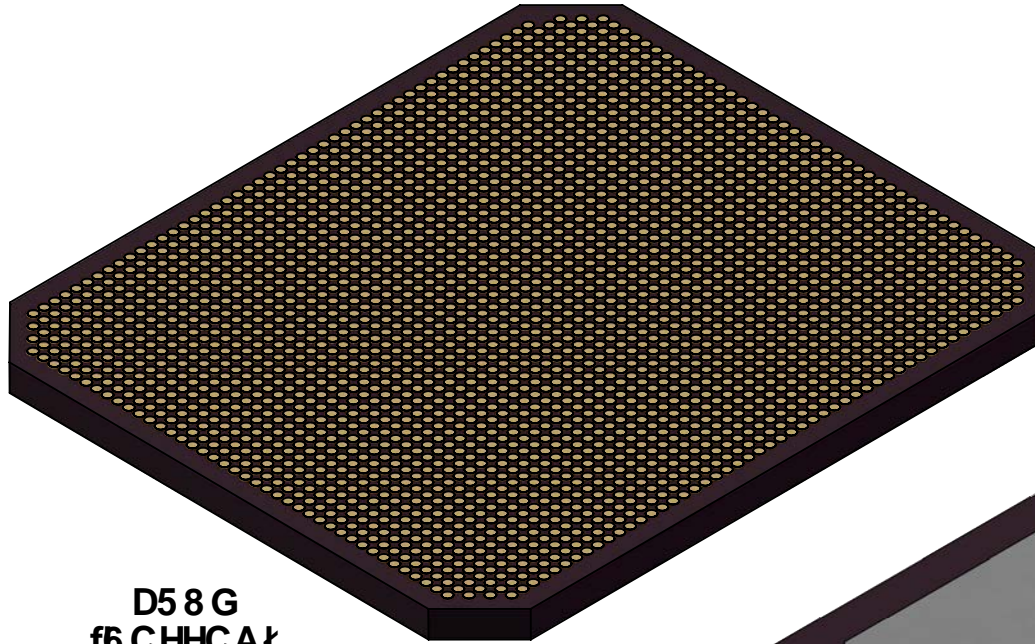
TITLE CCGA 2460 PITCH 1.0mm
 LAND GRID ARRAY

SCALE 2.5:1	SIZE A	DRAWING NO. 160225	REV A
----------------	-----------	-----------------------	----------

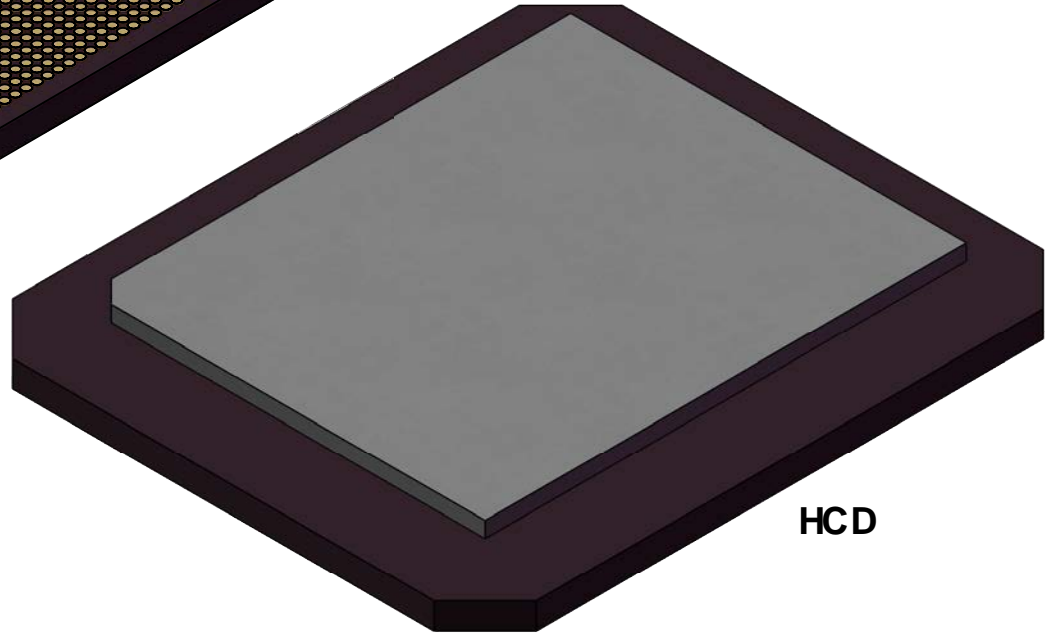
DO NOT SCALE DRAWING

SHEET 3 OF 4

AC89@
7 @ 5 & (*\$H%\$(*1)(
<95 HG-B?`5 HH57 <98



D5 8 G
f6 CHHCAŁ



HCD

TopLine[®]

TITLE CLGA 2460 PITCH 1.0mm
LAND GRID ARRAY

SCALE	SIZE	DRAWING NO.	REV
2:1	A	160225	A

DO NOT SCALE DRAWING

SHEET 4 OF 4