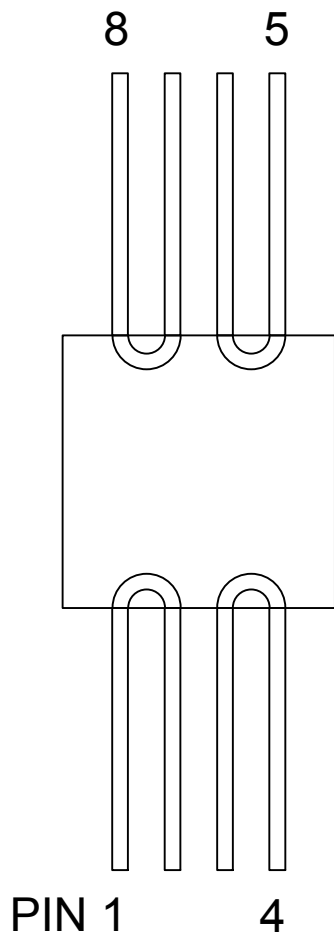


# DAISY CHAIN TOP VIEW (INTERNAL CONNECTIONS)



DAISY CHAIN NET LIST	
PINS	PINS
1 ~ 2	5 ~ 6
3 ~ 4	7 ~ 8

**NOTES:**

1. DAISY CHAIN WIRE BONDED TO INTERNAL PADS.
2. SEE NET LIST FOR CONNECTIONS BETWEEN PINS.
3. DRAWING NOT TO SCALE.

<b>TopLine<sup>®</sup></b>			
TITLE		FP08 DAISY CHAIN PIN CONNECTIONS	
SCALE	SIZE	DRAWING NO.	REV
	A	120801	A
DO NOT SCALE DRAWING			SHEET 2 OF 15