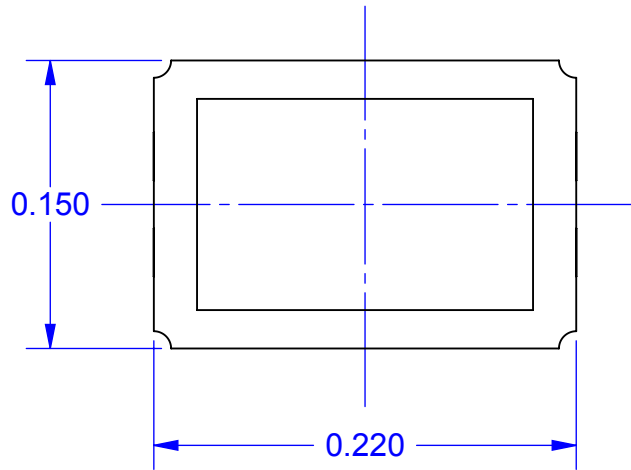
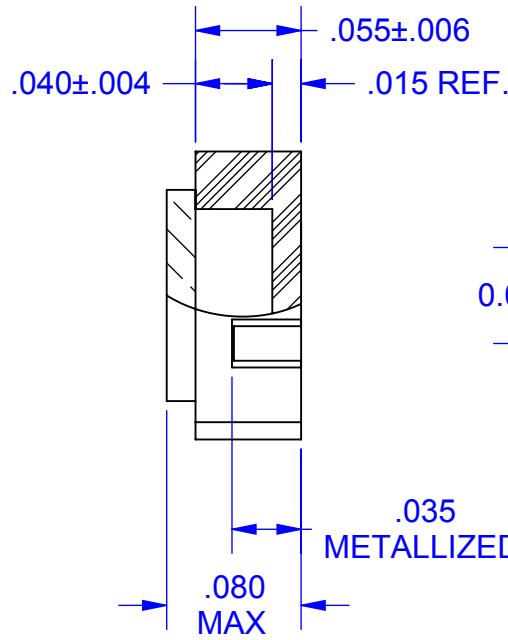


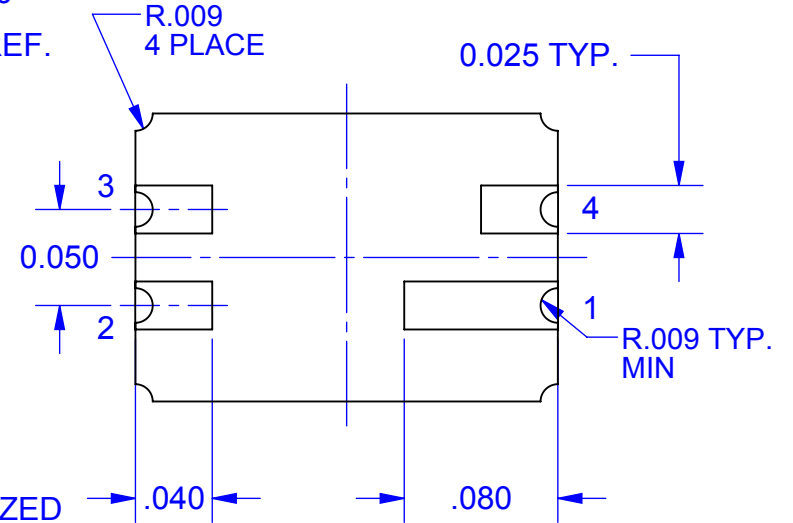
TOP VIEW



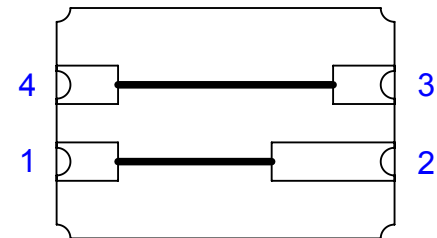
SIDE VIEW



BOTTOM VIEW



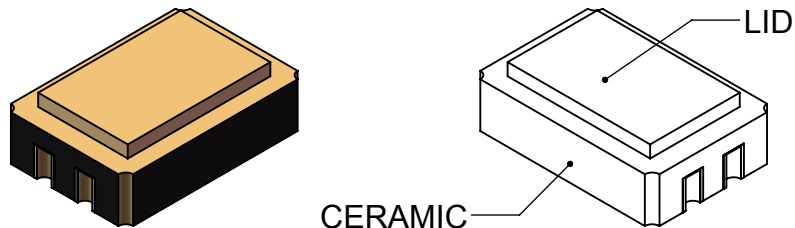
**DAISY CHAIN (OPTIONAL)
VIEWED FROM TOP**



PART NUMBER	LID	PLATING	DAISY CHAIN
LCC4B50.15X.22-N	OPEN	NiAu	NO
LCC4B50.15X.22	SEALED	NiAu	NO
LCC4B50.15X.22-SC	SEALED	SnPb	NO
LCC4B50.15X.22-DE	SEALED	NiAu	YES
LCC4B50.15X.22-DE-SC	SEALED	SnPb	YES

Notes: (Unless Otherwise Specified).
 1) PLATING:
 Ni 80 MICRO-INCH (2.0 μm) MIN.
 Au 60 MICRO-INCH (1.5 μm) MIN.

MODEL



x

APPROVALS	DATE	TopLine®			
DRAWN T.Au	04/14/14				
ENG M. Hart	04/14/14	TITLE LCC4 CERAMIC			
MFG					
QA		SCALE	SIZE	DRAWING NO.	REV
CUST		10:1	A	140400	A
REVISED		DO NOT SCALE DRAWING			SHEET 1 OF 1