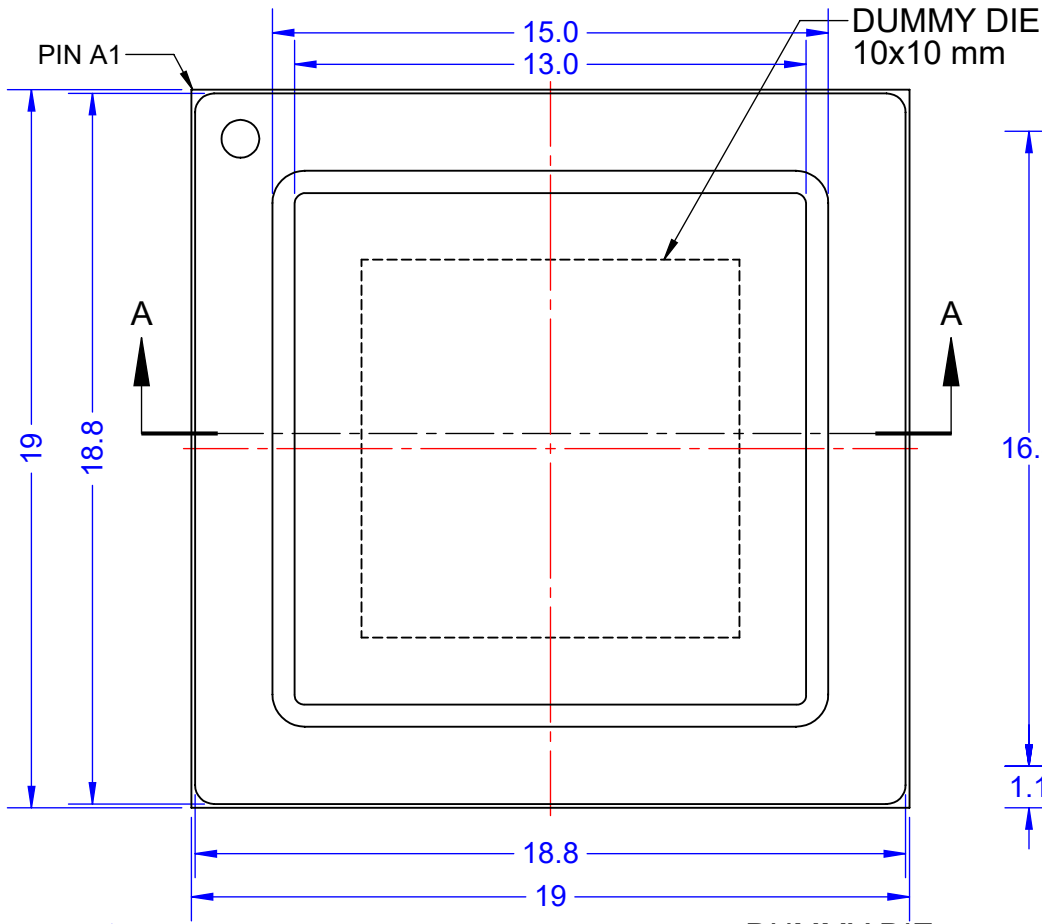
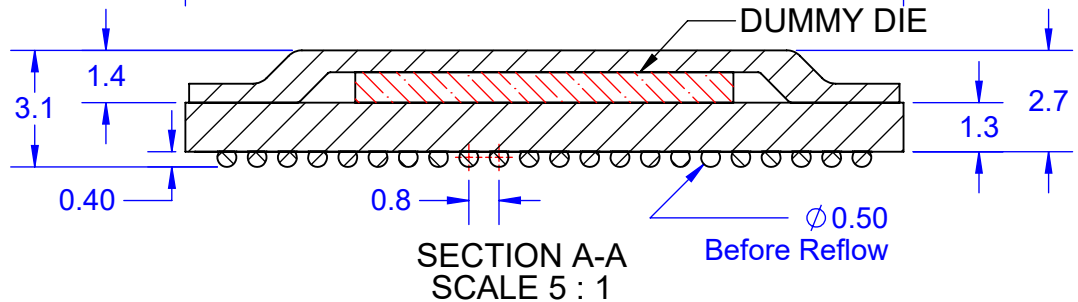
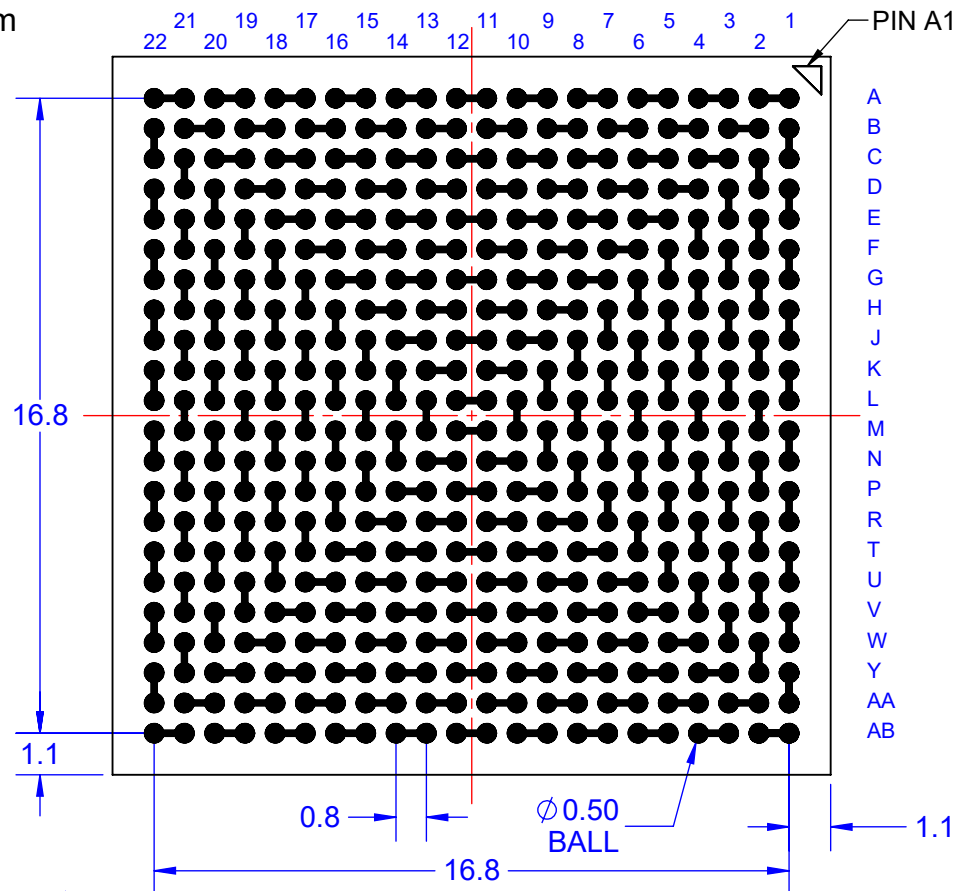


TOP VIEW



BALL VIEW

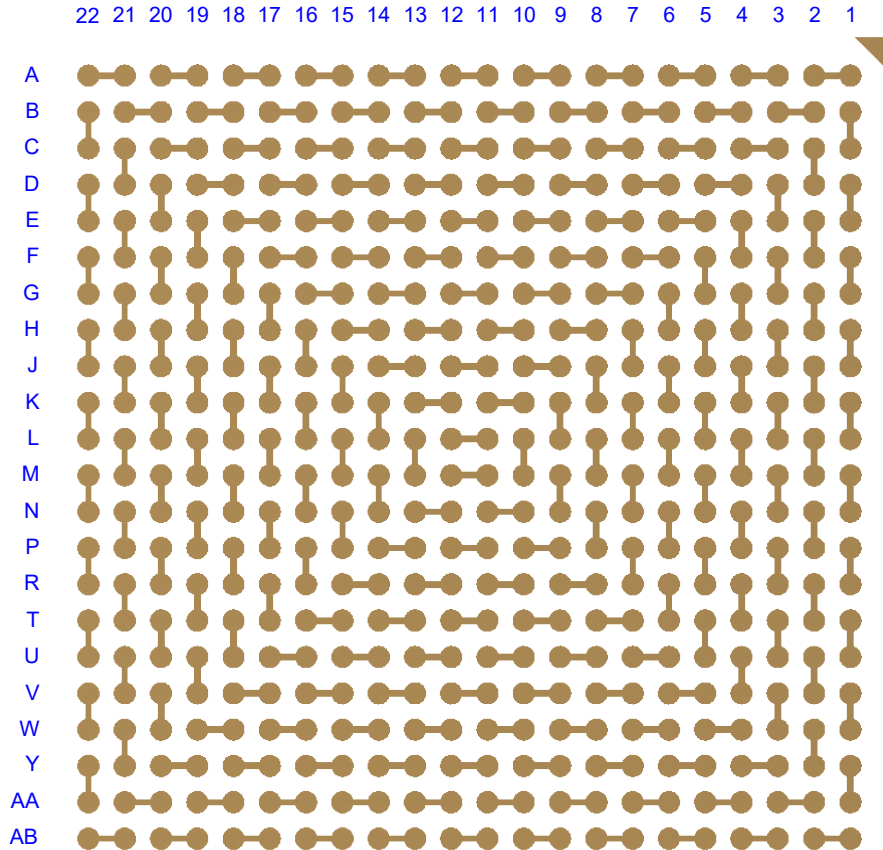


- Notes: (Unless Otherwise Specified).
- 1) ALL DIMENSIONS ARE IN MM.
 - 2) SOLDER BALL ALLOY: SEE PART NUMBER TABLE.
 - 3) BALL DIAMETER (BEFORE REFLOW): 0.50 mm (19.7 MIL).
 - 4) SOLDER MASK DEFINED PAD SRO 0.406 mm (16 MIL).
 - 5) PAD Cu DIAMETER: 0.508 mm (20 MIL).
 - 6) SUBSTRATE MATERIAL: BT (ALTERNATE FR4).
 - 7) DUMMY DIE IS OPTIONAL.
 - 8) BALL PATTERN (SEE PAGE 2).
 - 9) MSL-3 RECOMMENDED BAKING 24 HOURS @ 125°C TO REMOVE MOISTURE PRIOR SOLDERING TO PC BOARD.

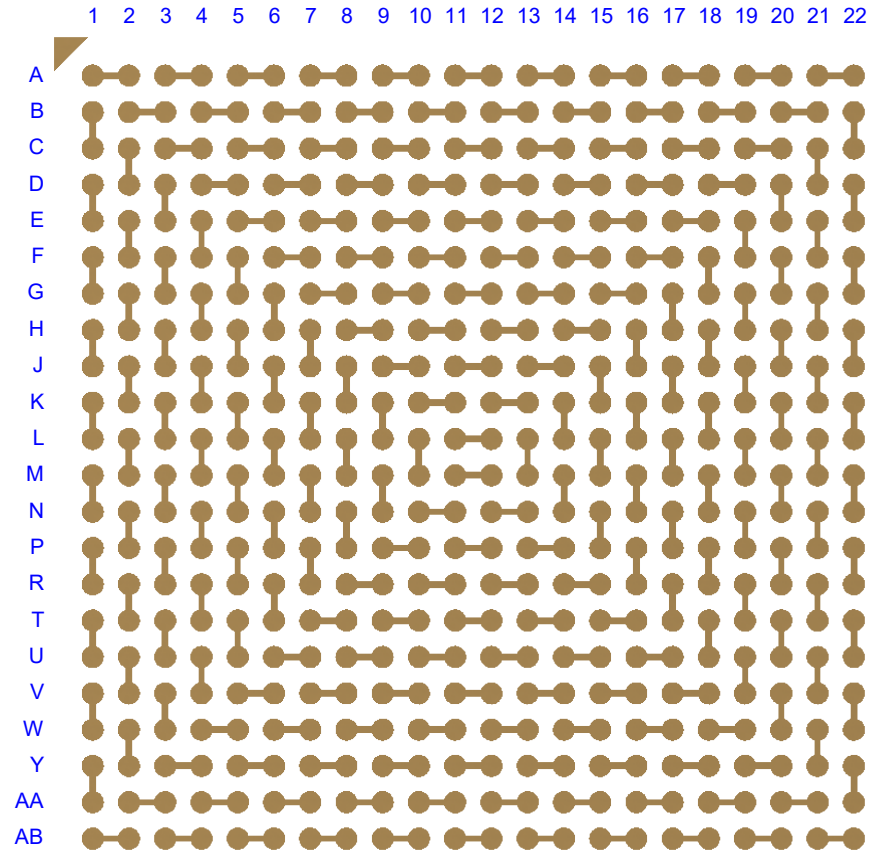
PART NUMBER TABLE				
PART NUMBER	BALL ALLOY	BALL CODE	RoHS	Si DIE
SBGA484T.8C-DC229AD	Sn96.5/Ag3.0/Cu0.5	SAC305	YES	YES
SBGA484T8-DC229AD	Sn63/Pb37	Sn63	NO	YES

APPROVALS	DATE	TopLine®			
DRAWN T. Au	12/11/2022				
ENG M. Hart	12/11/2022	TITLE SBGA484T.8C-DC229AD DAISY CHAIN			
MFG		SCALE 5:1	SIZE A	DRAWING NO. 582292	REV A
QA		DO NOT SCALE DRAWING			SHEET 1 OF 6
CUST					
REVISED					

BALL VIEW



BOTTOM SIDE (TOP X-RAY VIEW)

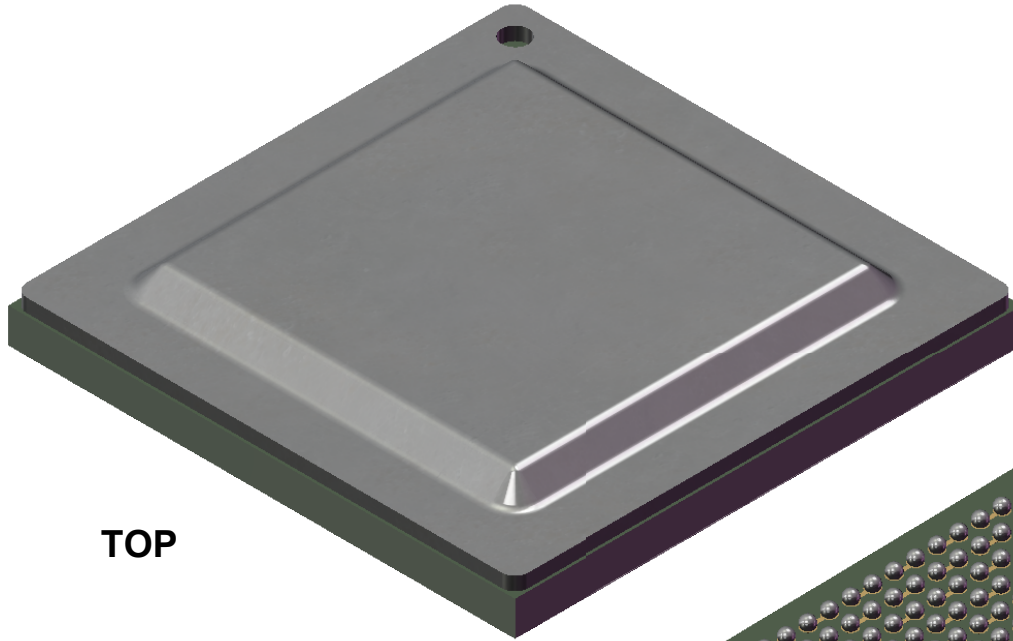


Notes:

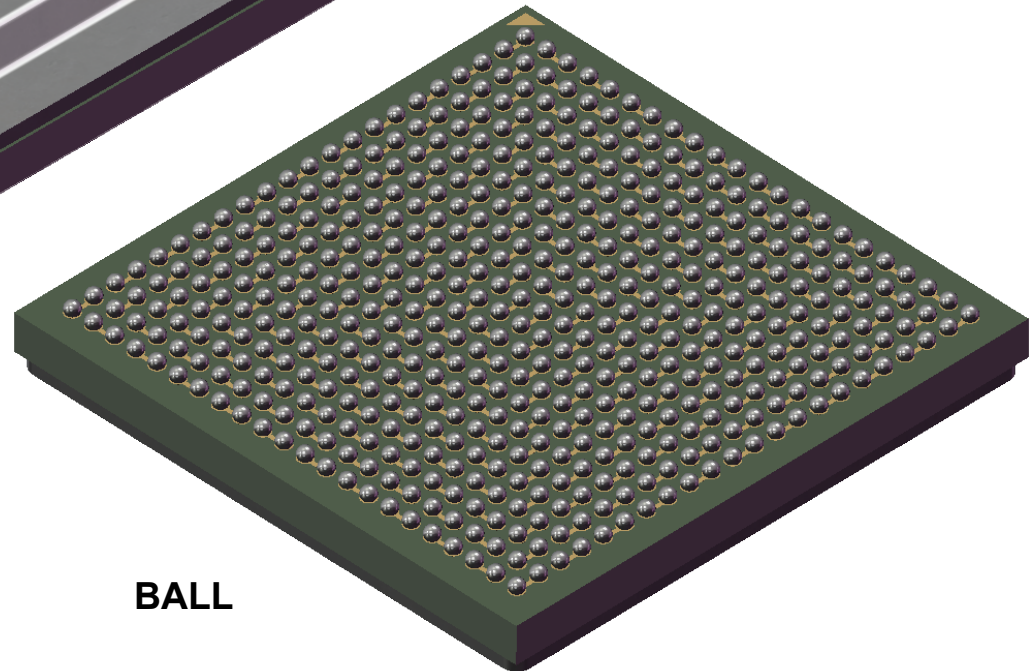
- 1) PCB BOARD DIMENSIONS ARE PRESENTED ONLY AS A GUIDELINE. DESIGNERS SHOULD USE THEIR OWN EXPERIENCE WHEN DESIGNING PCB.
- 2) PCB Cu BALL PAD DIAMETER 0.50 mm (19.7 MIL).
- 3) SMD (SOLDER MASK DEFINED) PAD OPENING: 0.406 mm (16 MIL).
- 4) PCB TRACING LINE WIDTH 0.152 mm [6 MIL].

TopLine®			
TITLE SBGA484T.8C-DC229AD DAISY CHAIN			
SCALE 6:1	SIZE A	DRAWING NO. 582292	REV A
DO NOT SCALE DRAWING			SHEET 2 OF 6

**MODEL
BGA WITH BALL**



TOP



BALL

TopLine®

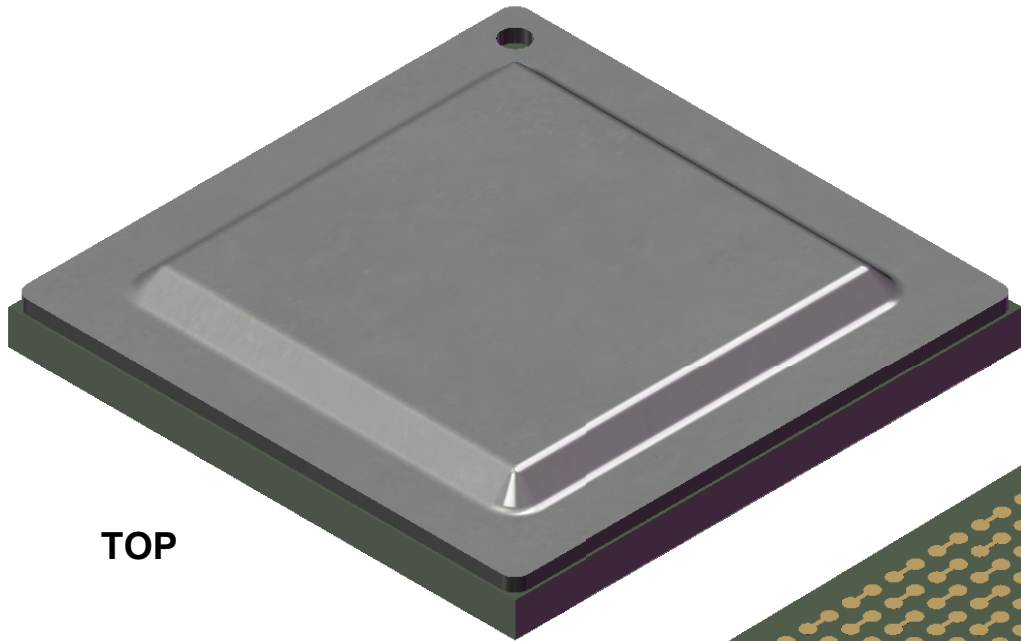
TITLE SBGA484T.8C-DC229AD
DAISY CHAIN

SCALE 5:1	SIZE A	DRAWING NO. 582292	REV A
--------------	-----------	-----------------------	----------

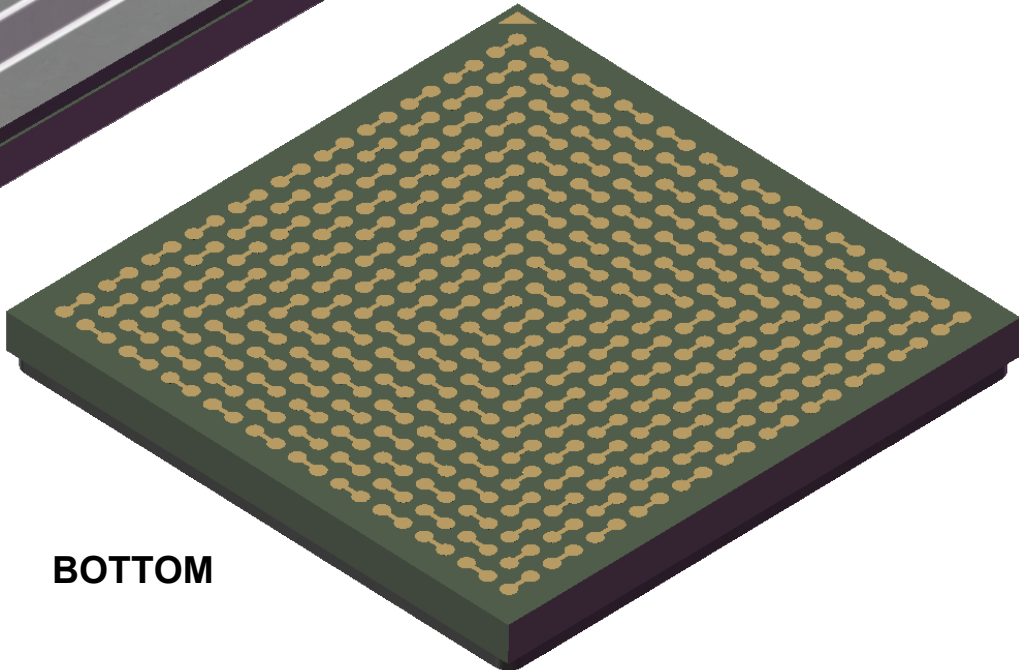
DO NOT SCALE DRAWING

SHEET 3 OF 6

**MODEL
LGA WITHOUT BALL**



TOP



BOTTOM

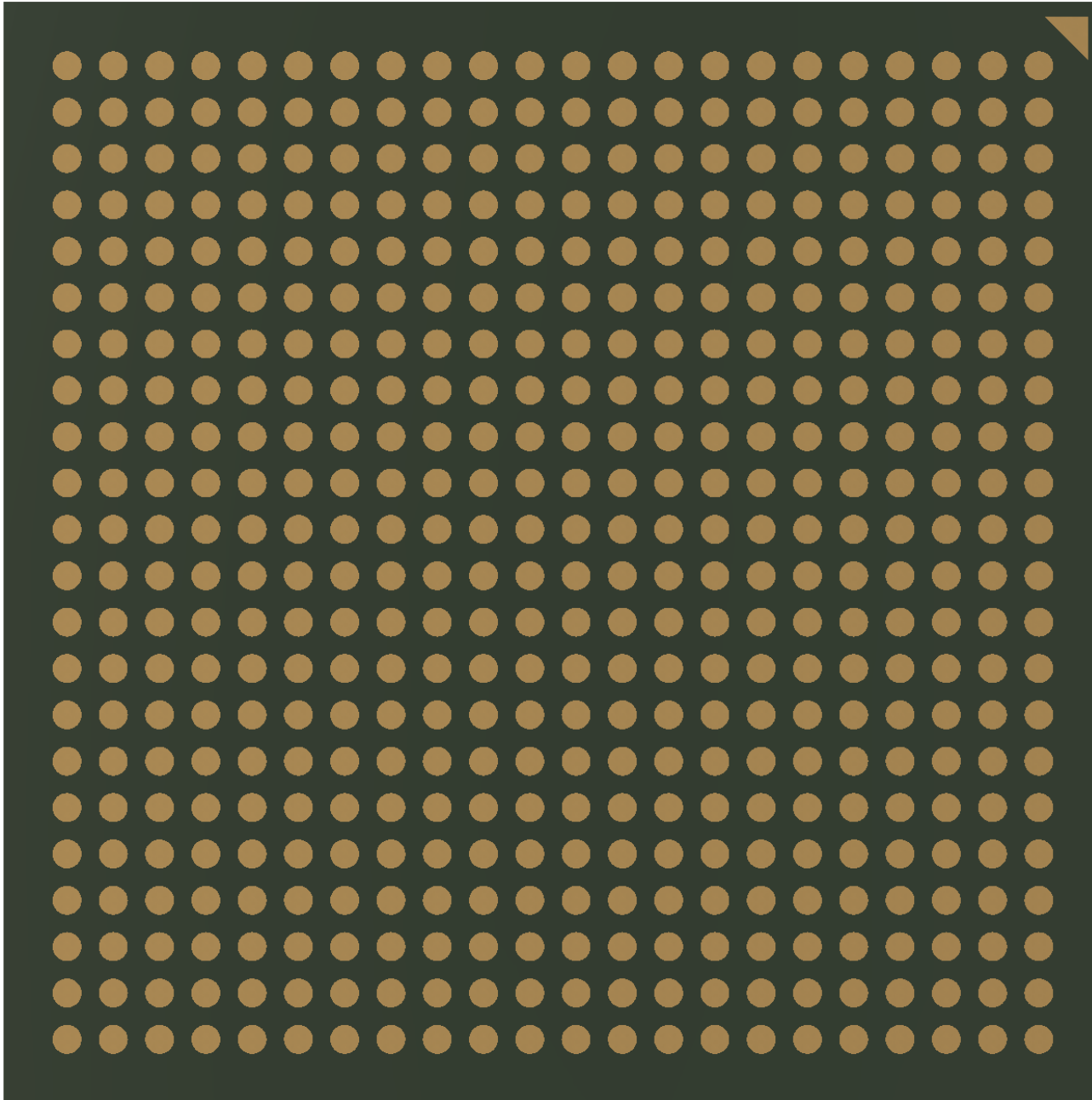


TITLE			
SBGA484T.8C-DC229AD DAISY CHAIN			
SCALE	SIZE	DRAWING NO.	REV
5:1	A	582292	A
DO NOT SCALE DRAWING			SHEET 4 OF 6

**BOTTOM SOLDER MASK
(RIGHT READING)**

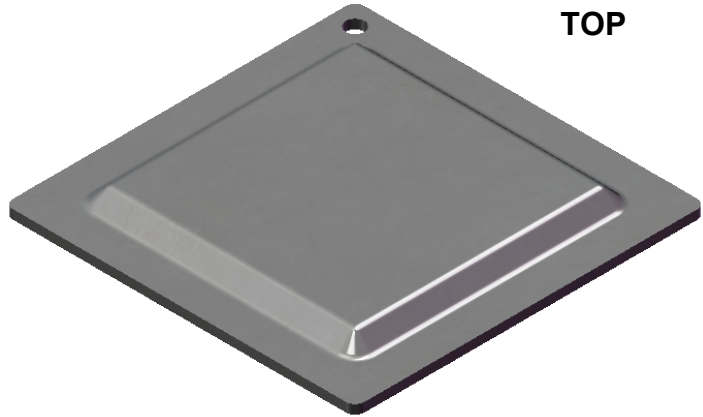
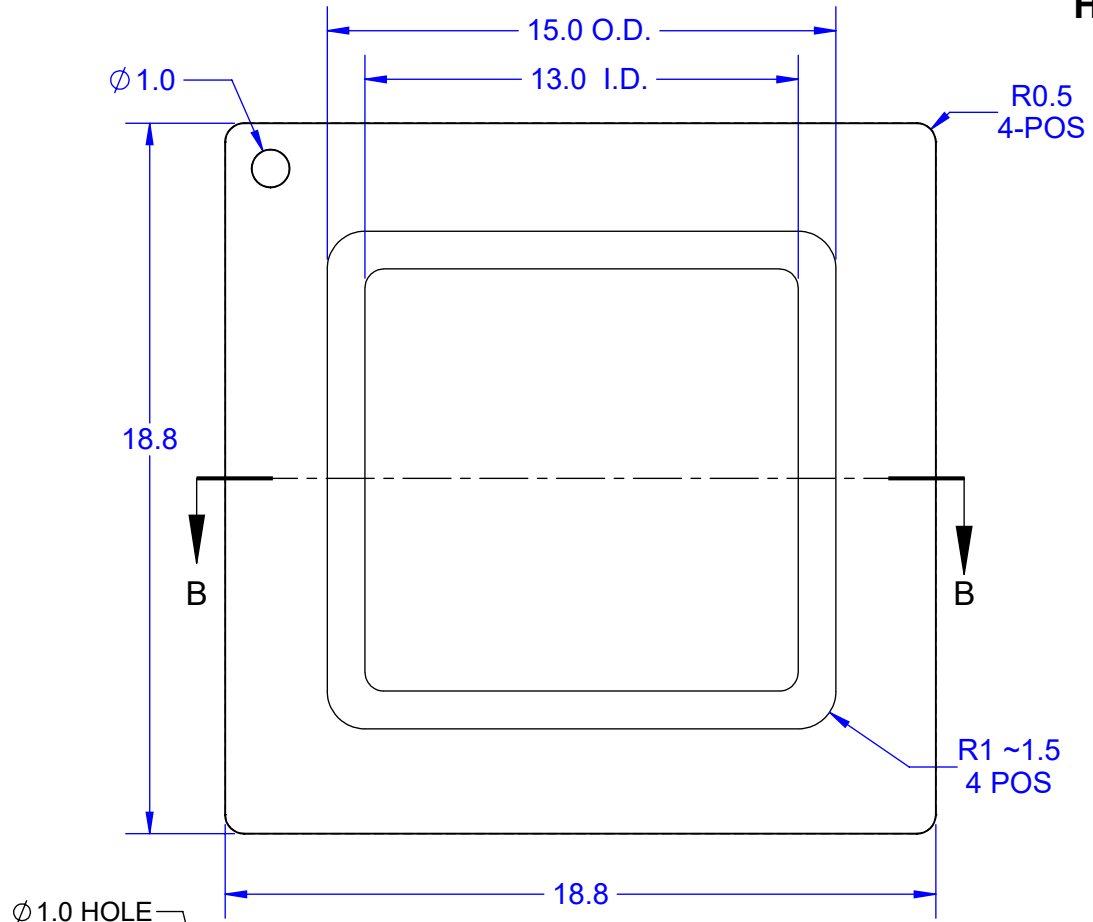
22 21 20 19 18 17 16 15 14 13 12 11 10 9 8 7 6 5 4 3 2 1

A
B
C
D
E
F
G
H
J
K
L
M
N
P
T
R
V
U
W
Y
AA
AB

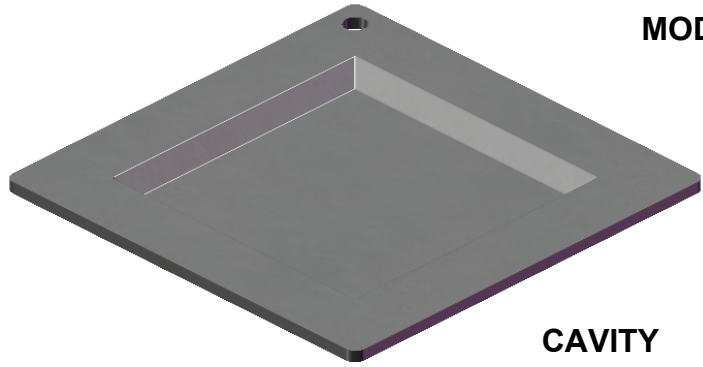


TopLine[®]			
TITLE SBGA484T.8C-DC229AD DAISY CHAIN			
SCALE 5:1	SIZE A	DRAWING NO. 582292	REV A
DO NOT SCALE DRAWING			SHEET 5 OF 6

HEAT SPREADER

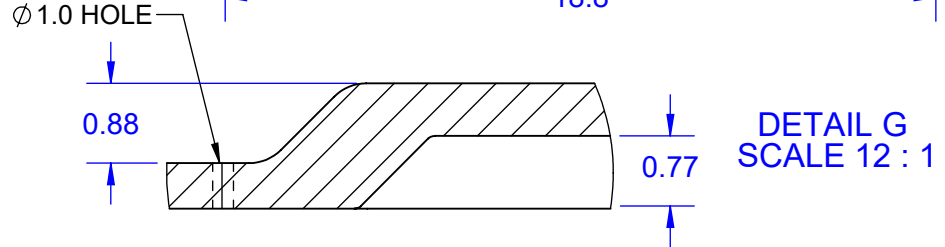


TOP



MODEL

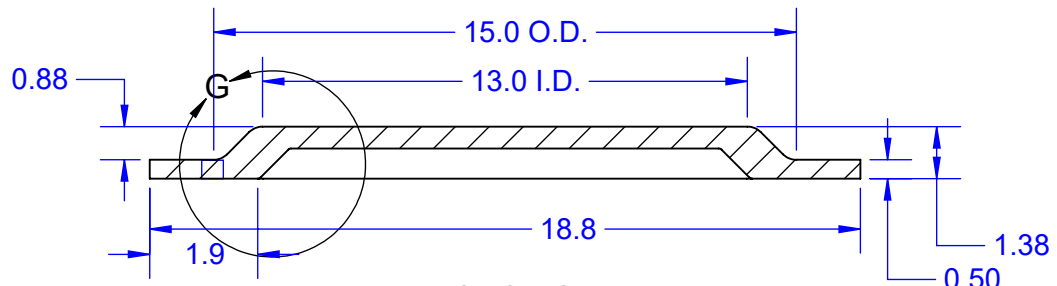
CAVITY



DETAIL G
SCALE 12 : 1

NOTES:

1. DIMENSION in MM
2. MATERIAL: COPPER ALLOY C1020 OR C1100
HALF HARD, OXYGEN FREE
3. PLATING: NICKEL 5um MIN (SEMI FINISH)



SECTION B-B
SCALE 5 : 1

APPROVALS	DATE	TopLine®			
DRAWN T.Au	11/16/2022				
ENG M. Hart	11/16/2022	TITLE H-CAP19A HEAT SPREADER			
MFG		SCALE 3:1	SIZE A	DRAWING NO. 219710	REV A
QA					
CUST		DO NOT SCALE DRAWING			SHEET 6 OF 6
REVISED					