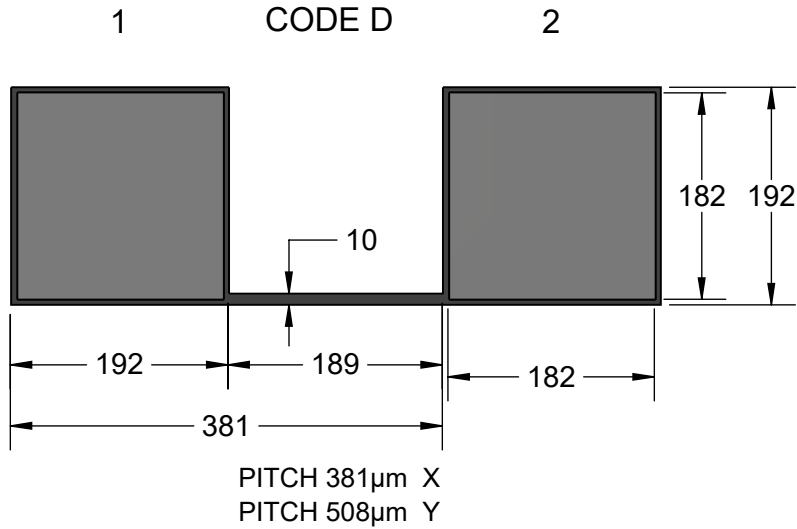


BONDING PAD

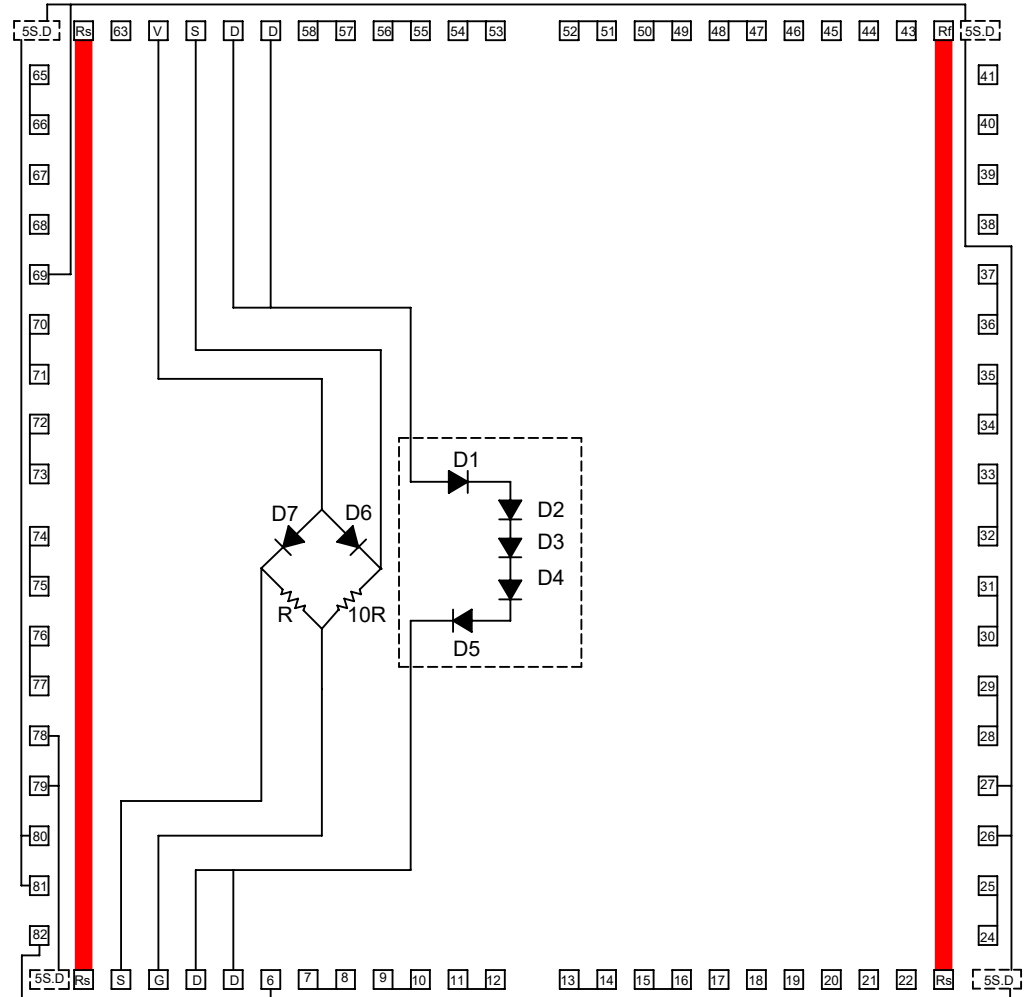
DETAIL 1
CODE D



REFERENCE:
Rf~Rs = HEATER Si RESISTIVE
D = DIODE
V = +VOLTAGE
G = GROUND
S = TEMPERATURE SENSE

- NOTES:
- 1) DIMENSIONS IN MICRONS (μ m) OR AS SPECIFIED.
 - 2) THICKNESS: 635 μ m (OTHER AVAILABLE).
 - 3) PASSIVATION: NITRIDE 10KA THICKNESS (1.0 μ m).
 - 4) PACKAGING: STANDARD WAFFLE PACK (TRAY).
 - 5) PAD METAL THICKNESS: 17KA (1.7 μ m).
 - 6) SILICON ORIENTATION 1-1-1.
 - 7) SILICON TYPE P.

PST6 THERMAL DIE 10.16mm x 10.16mm



PART NUMBER TABLE

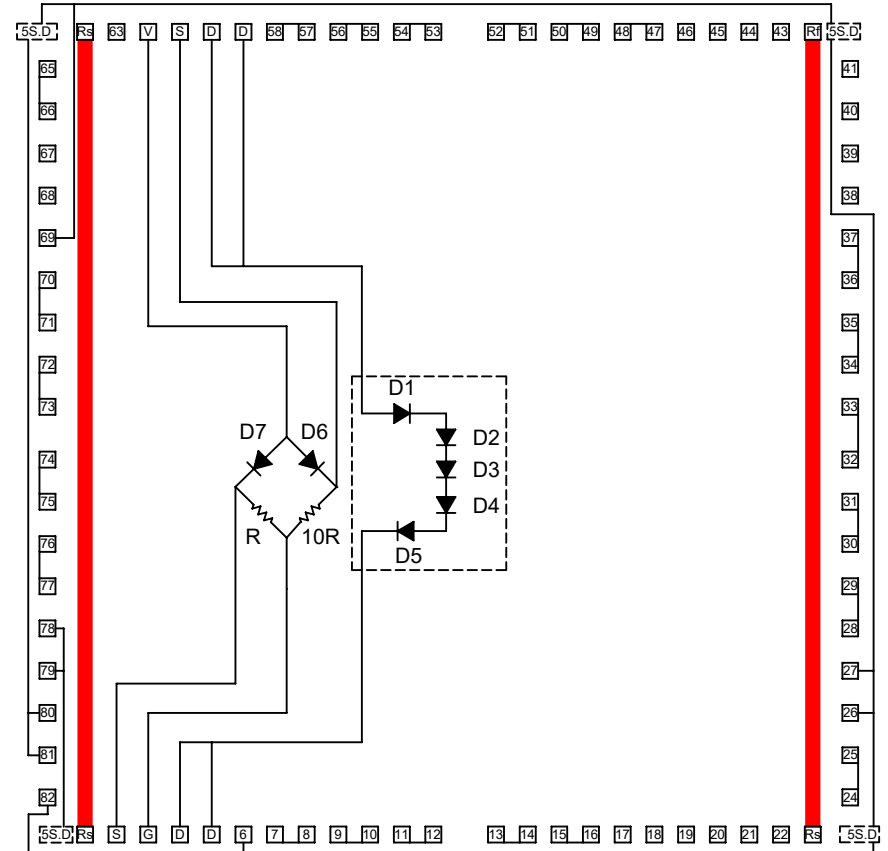
PART NUMBER	DIE SIZE	DIE PER WAFER	BOND PAD	DETAIL
PST6-D10A	10.16mm	80	182 μ m SQ	1

APPROVALS	DATE	TopLine®			
DRAWN T. Au	7/23/2018				
ENG M. Hart	7/23/2018	TITLE PST6 THERMAL DIE 10mm x 10mm			
MFG		SCALE	SIZE	DRAWING NO.	REV
QA		11:1	A	160081	A
CUST		DO NOT SCALE DRAWING			SHEET 1 OF 4
REVISED					

NET LIST

(0,0) is located at the center of the die

Microns				Microns			
PIN#	NAME	X	Y	PIN#	NAME	X	Y
1	Rs (1)	-4376.5	-4827.5	42	Rf (1)	4376.5	4827.5
2	S (1)	-3995.5	-4827.5	43	NC	3995.5	4827.5
3	G	-3614.5	-4827.5	44	NC	3614.5	4827.5
4	D (1)	-3233.5	-4827.5	45	NC	3233.5	4827.5
5	D (2)	-2852.5	-4827.5	46	NC	2852.5	4827.5
6	Pin 6	-2471.5	-4827.5	47	Pin 47	2471.5	4827.5
7	Pin 7	-2090.5	-4827.5	48	Pin 48	2090.5	4827.5
8	Pin 8	-1709.5	-4827.5	49	Pin 49	1709.5	4827.5
9	Pin 9	-1328.5	-4827.5	50	Pin 50	1328.5	4827.5
10	Pin 10	-947.5	-4827.5	51	Pin 51	947.5	4827.5
11	Pin 11	-566.5	-4827.5	52	Pin 52	566.5	4827.5
12	Pin 12	-185.5	-4827.5	53	Pin 53	-185.5	4827.5
13	Pin 13	566.5	-4827.5	54	Pin 54	-566.5	4827.5
14	Pin 14	947.5	-4827.5	55	Pin 55	-947.5	4827.5
15	Pin 15	1328.5	-4827.5	56	Pin 56	-1328.5	4827.5
16	Pin 16	1709.5	-4827.5	57	Pin 57	-1709.5	4827.5
17	NC	2090.5	-4827.5	58	Pin 58	-2090.5	4827.5
18	NC	2471.5	-4827.5	59	D (3)	-2471.5	4827.5
19	NC	2852.5	-4827.5	60	D (4)	-2852.5	4827.5
20	NC	3233.5	-4827.5	61	S (2)	-3233.5	4827.5
21	NC	3614.5	-4827.5	62	V	-3614.5	4827.5
22	NC	3995.5	-4827.5	63	Pin 63	-3995.5	4827.5
23	Rs (2)	4376.5	-4827.5	64	Rf (2)	-4376.5	4827.5
24	Pin 24	4827.5	-4380.5	65	Pin 65	-4827.5	4380.5
25	Pin 25	4827.5	-3872.5	66	Pin 66	-4827.5	3872.5
26	Pin 26	4827.5	-3364.5	67	NC	-4827.5	3364.5
27	Pin 27	4827.5	-2856.5	68	NC	-4827.5	2856.5
28	Pin 28	4827.5	-2348.5	69	Pin 69	-4827.5	2348.5
29	Pin 29	4827.5	-1840.5	70	Pin 70	-4827.5	1840.5
30	Pin 30	4827.5	-1332.5	71	Pin 71	-4827.5	1332.5
31	Pin 31	4827.5	-824.5	72	Pin 72	-4827.5	824.5
32	Pin 32	4827.5	-316.5	73	Pin 73	-4827.5	316.5
33	Pin 33	4827.5	316.5	74	Pin 74	-4827.5	-316.5
34	Pin 34	4827.5	824.5	75	Pin 75	-4827.5	-824.5
35	Pin 35	4827.5	1332.5	76	Pin 76	-4827.5	-1332.5
36	Pin 36	4827.5	1840.5	77	Pin 77	-4827.5	-1840.5
37	Pin 37	4827.5	2348.5	78	Pin 78	-4827.5	-2348.5
38	NC	4827.5	2856.5	79	Pin 79	-4827.5	-2856.5
39	NC	4827.5	3364.5	80	Pin 80	-4827.5	-3364.5
40	NC	4827.5	3872.5	81	Pin 81	-4827.5	-3872.5
41	NC	4827.5	4380.5	82	Pin 82	-4827.5	-4380.5



REFERENCE:

Rf~Rs = HEATER Si RESISTIVE ELEMENTS

D = DIODE

V = +VOLTAGE

G = GROUND

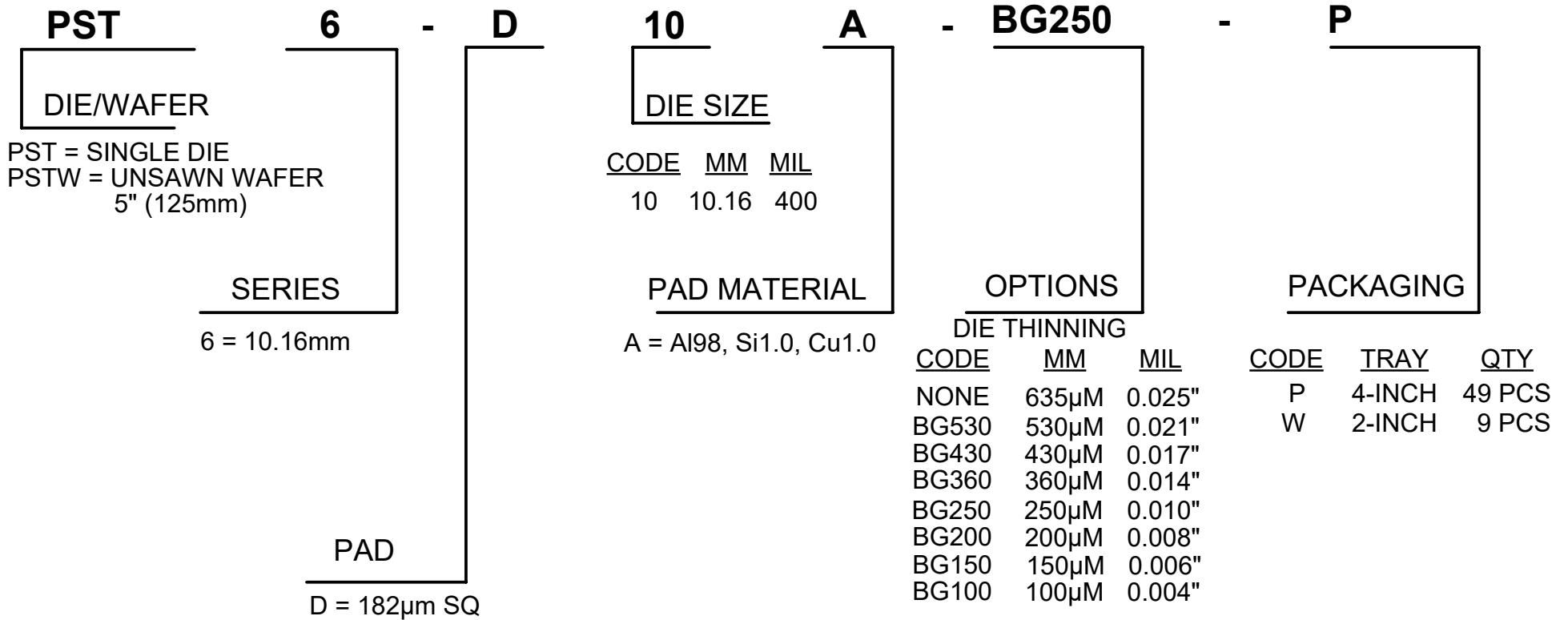
S = TEMPERATURE SENSE

NC = NO CONNECTION

TopLine®

TITLE			
PST6 THERMAL DIE 10mm x 10mm			
SCALE	SIZE	DRAWING NO.	REV
11:1	A	160081	A
DO NOT SCALE DRAWING			SHEET 3 OF 4

PART NUMBERING SYSTEM



TopLine®			
TITLE		PST6 THERMAL DIE 10mm x 10mm	
SCALE	SIZE	DRAWING NO.	REV
NONE	A	160081	A
DO NOT SCALE DRAWING			SHEET 4 OF 4