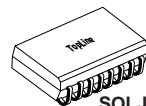
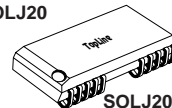




SOJ - SMALL OUTLINE J-LEAD



SOLJ20

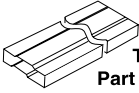




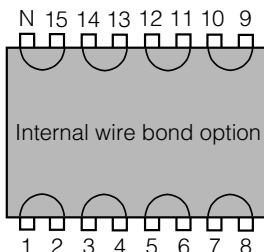
SOLJ20/26

50 MIL PITCH (1.27MM)



DUMMY COMPONENT ORDERING INFORMATION

NBR LEADS	BODY WIDTH		TAPE INFO		 Tube Part Number QTY	 4" (100mm) Tape & Reel Part Number QTY		 13" (330mm) Tape & Reel Part Number QTY		
	MILS	METRIC	WIDTH	PITCH		XS1	XM1	QTY	XS1	QTY
18	300	7.5mm	24mm	12mm	SOLJ18M	41	-	-	SOLJ18E13A	1000
20	300	7.5mm	24mm	12mm	SOLJ20M	37	-	-	SOLJ20E13A	1000
20/26	300	7.5mm	24mm	12mm	SOLJ20/26M	25~30	SOLJ20/26E4A	100	SOLJ20/26E13A	1000
24/26	300	7.5mm	24mm	12mm	SOLJ24/26M	25~30	-	-	SOLJ24/26E13A	1000
24/28	400	10.0mm	24/32mm	16mm	SOXJ24/28M	26~30	-	-	SOXJ24/28E13A	1000
28	300	7.5mm	24mm	12mm	SOLJ28M	25~27	SOLJ28E4A	100	SOLJ28E13A	1000
28	400	10.0mm	24/32mm	16mm	SOXJ28M	25~26	-	-	SOXJ28E13A	1000
32	300	7.5mm	32mm	16mm	SOLJ32M	22~23	-	-	SOLJ32E13A	1000
32	400	10.0mm	32mm	16mm	SOXJ32M	22~23	-	-	SOXJ32E13A	500~1000
40	400	10.0mm	44mm	16mm	SOXJ40M	15~18	-	-	SOXJ40E13A	500~1000
42	400	10.0mm	44mm	16mm	SOXJ42M	16~17	-	-	SOXJ42E13A	500~1000
44	400	10.0mm	44mm	16mm	SOXJ44M	17	-	-	SOXJ44E13A	500~1000



Daisy Chain
available on special order
Add -DE to end of part number

OTZ-

TopLine supplies a variety of SOJ packages with 50 mil (1.27mm) lead pitch. The DRAM package uses 20 leads on a 26-pin body (6-leads missing) or 24 leads on a 28-lead body. Tube quantities may vary. For completely isolated (no internal connections) add -ISO to end of part number. Solder plating on leads is Sn85/Pb15.

Part # SOLJ18

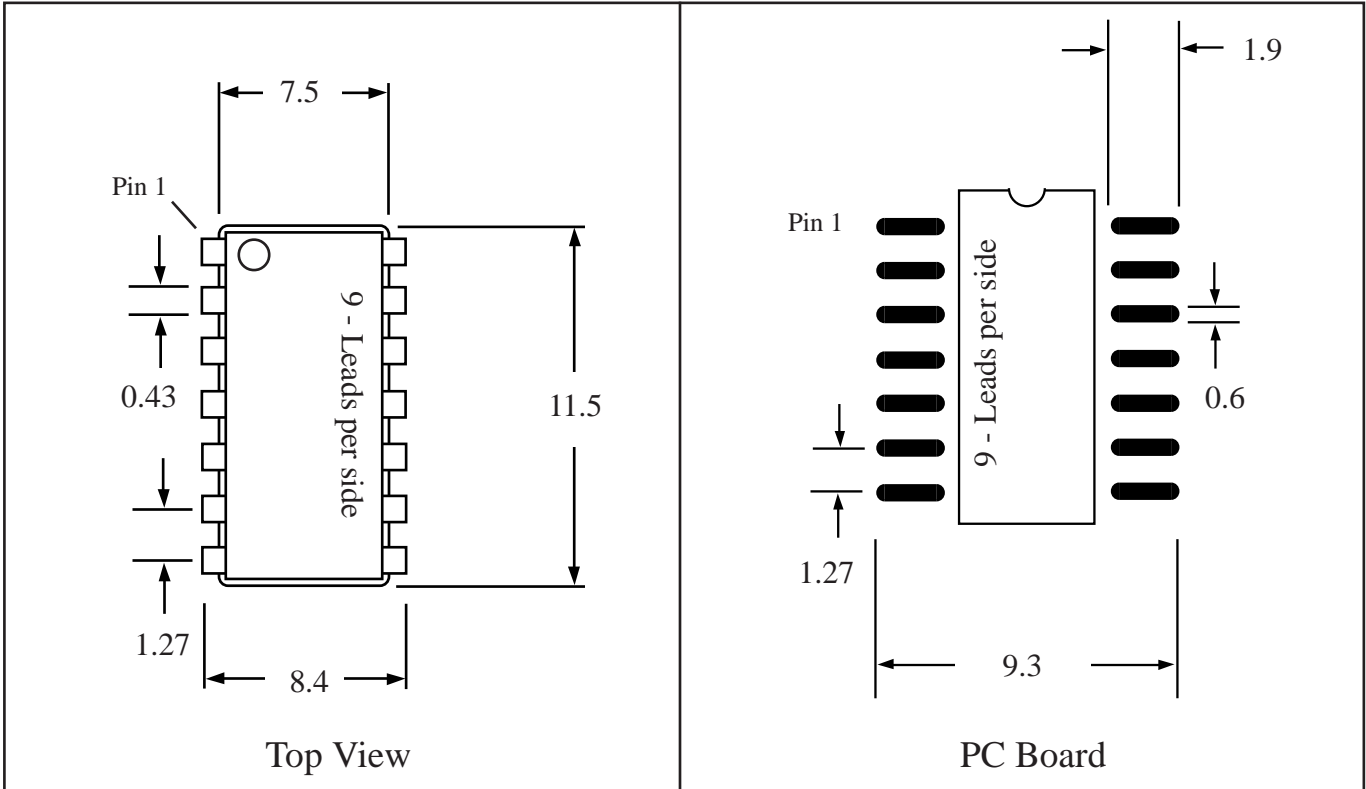
Leads 18 Pitch 1.27mm (.05")

Body Size 300mil (7.5mm)

TopLine™

Tel 1-714-898-3830

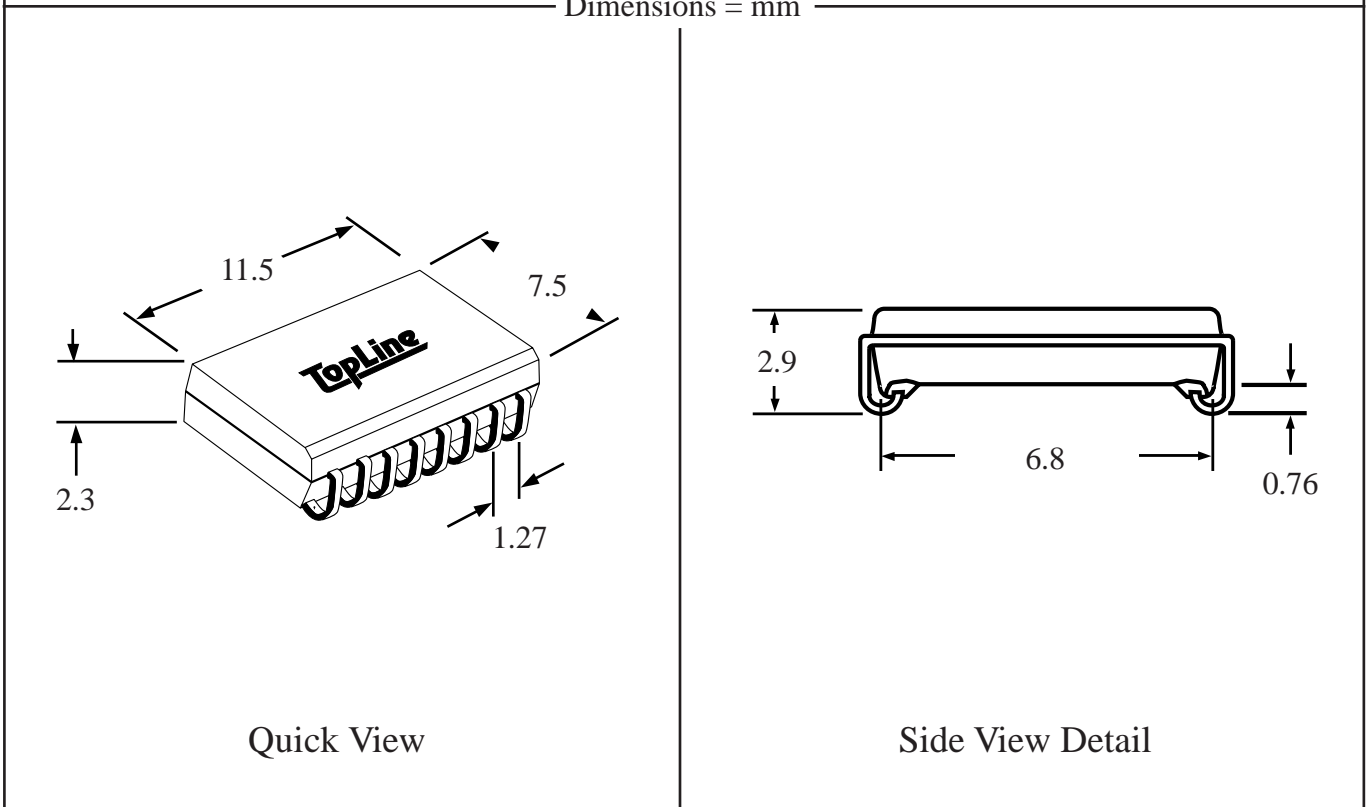
info@topline.tv



Top View

PC Board

Dimensions = mm



Quick View

Side View Detail

Part # SOLJ20

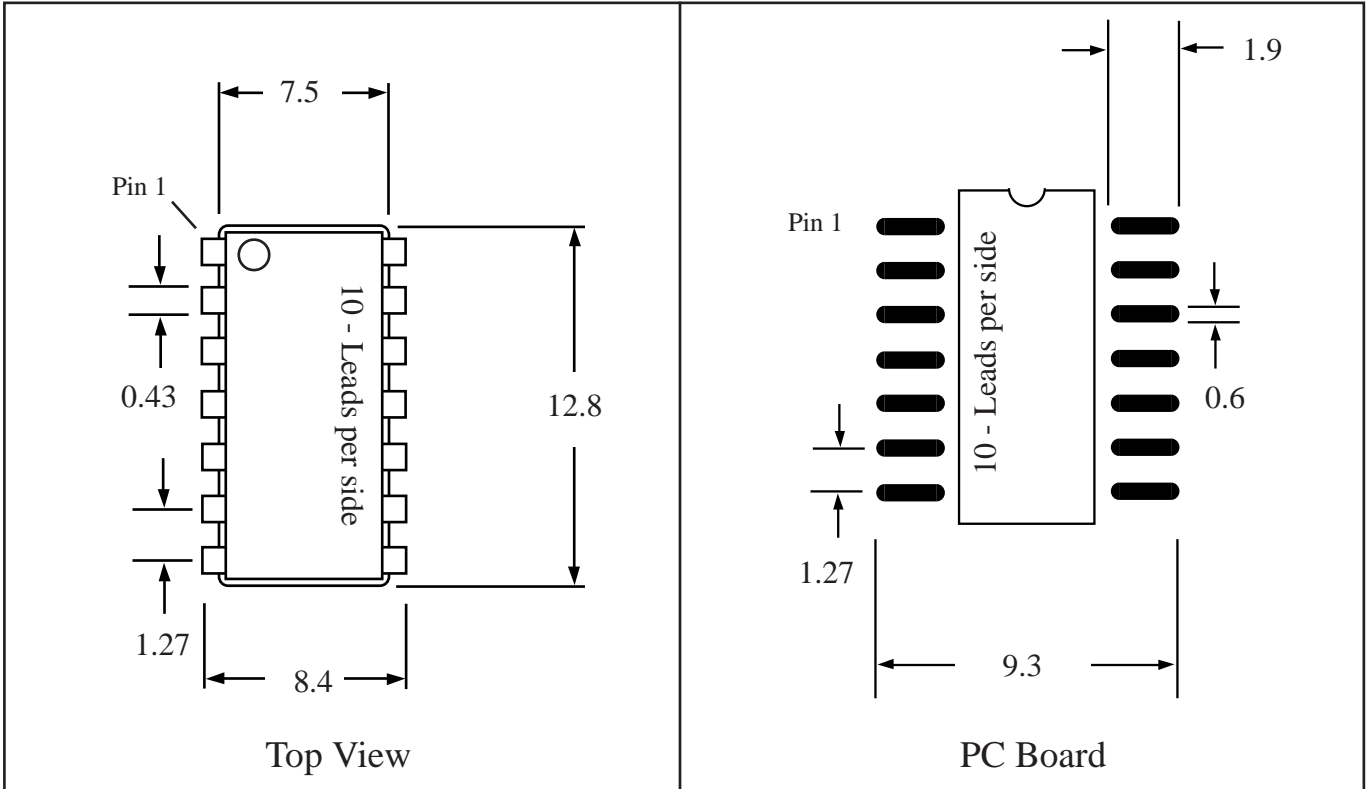
Leads 20 Pitch 1.27mm (.05")

Body Size 300mil (7.5mm)



Tel 1-714-898-3830

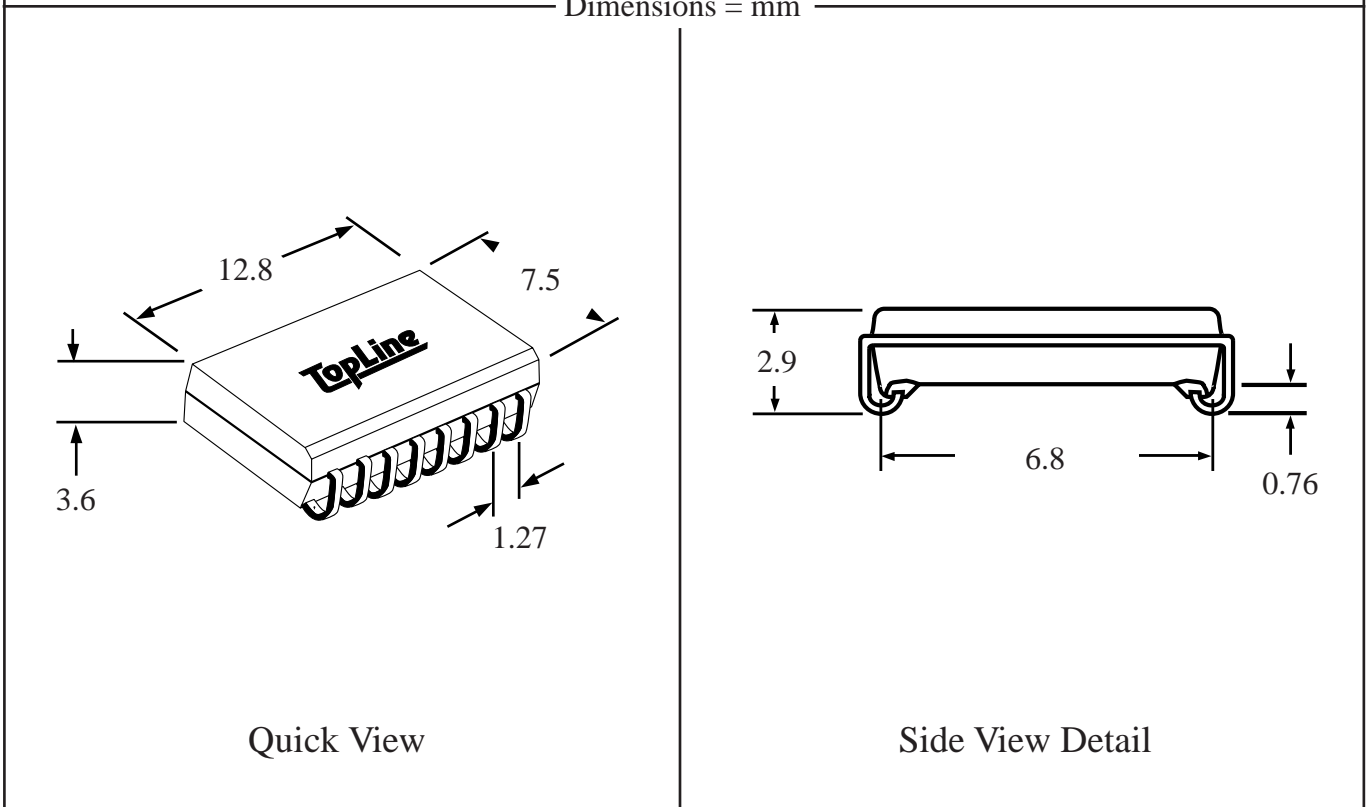
info@topline.tv



Top View

PC Board

Dimensions = mm

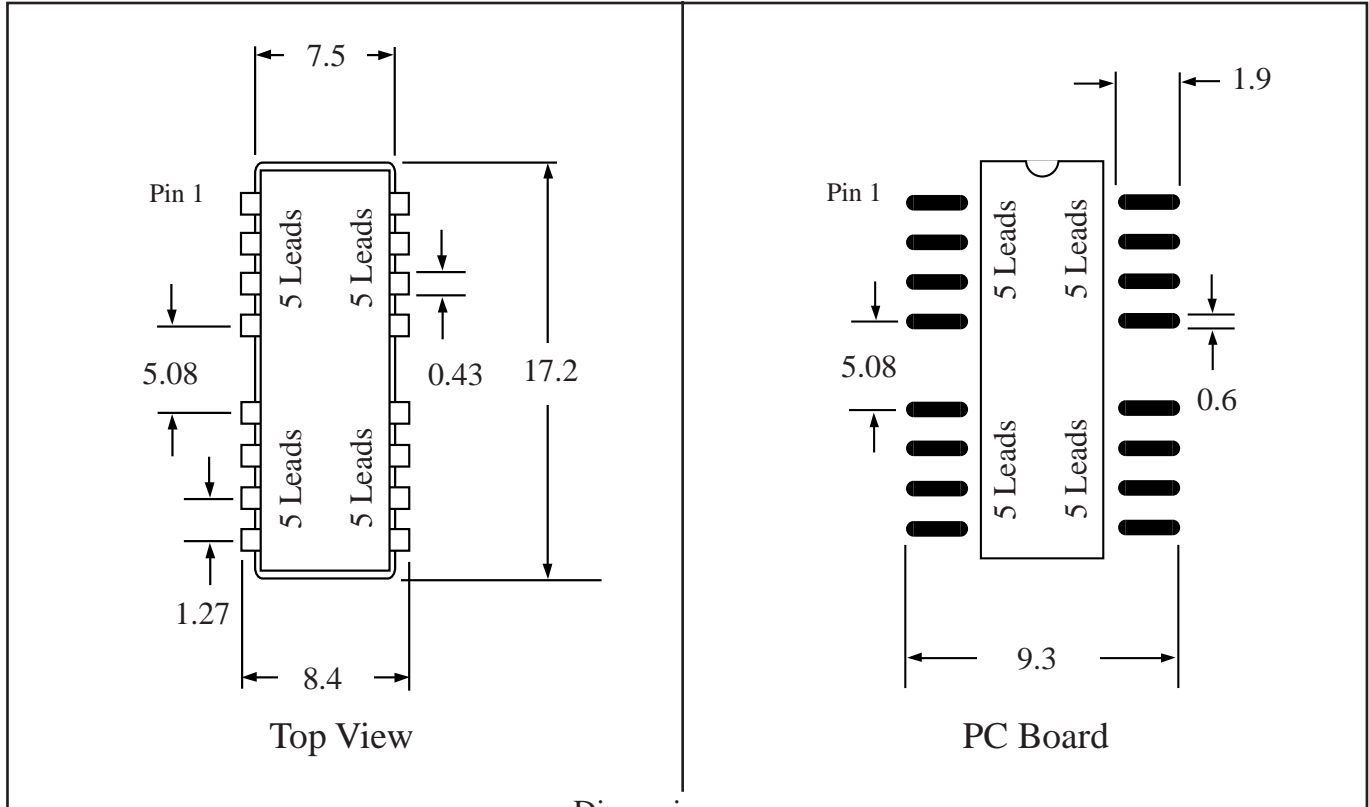


Quick View

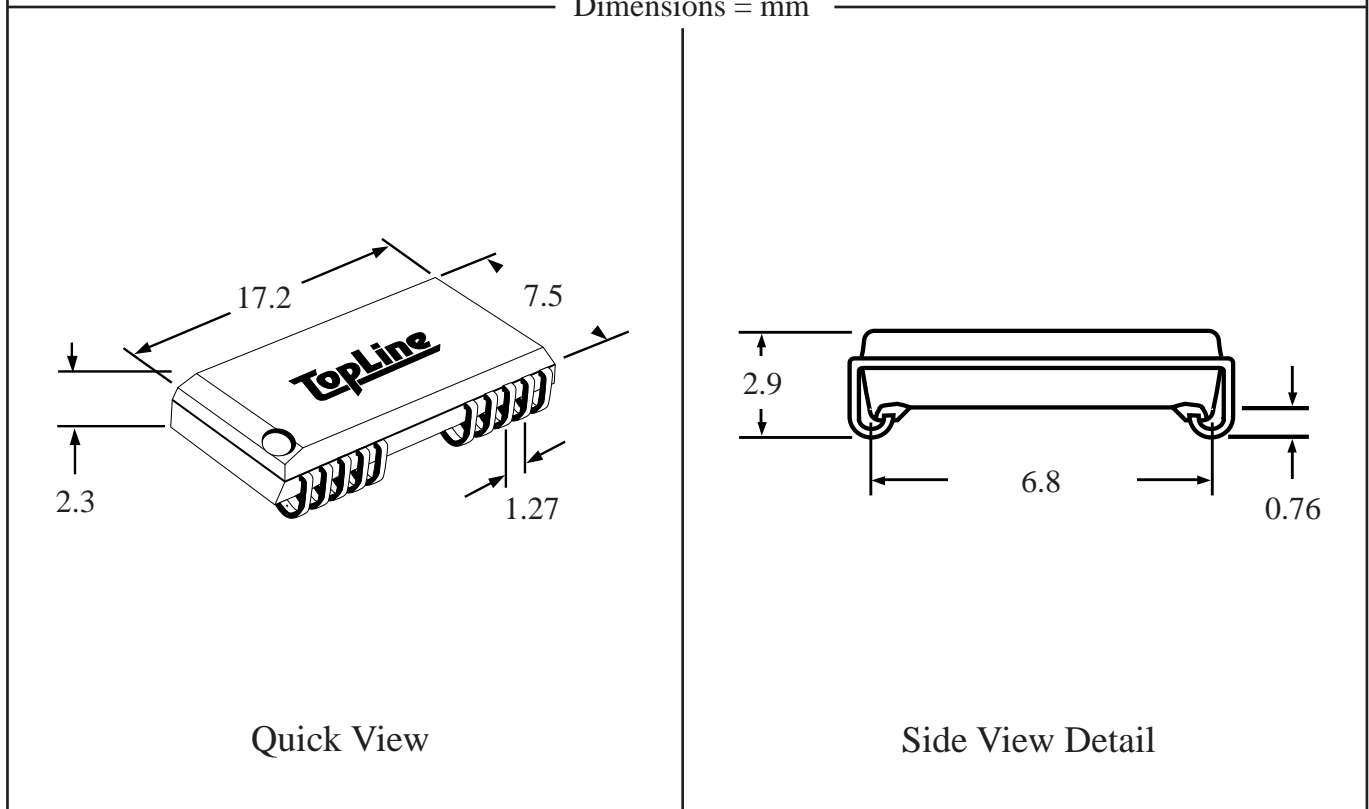
Side View Detail

Part # **SOLJ20/26**
 Leads **20/26** Pitch **1.27mm (.05")**
 Body Size **300mil (7.5mm)**

TopLineTM
 Tel 1-714-898-3830
 info@topline.tv



Dimensions = mm



Part # SOLJ24

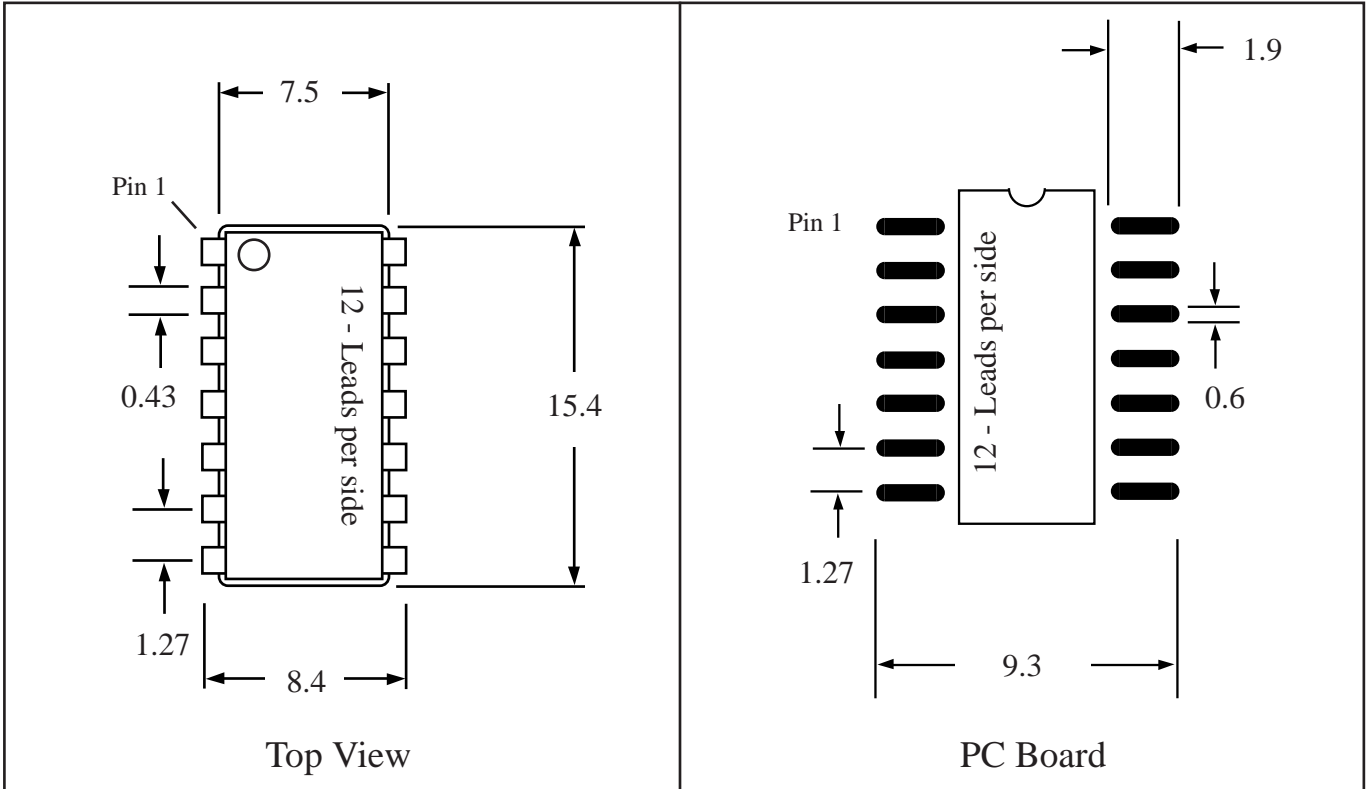
Leads 24 Pitch 1.27mm (.05")

Body Size 300mil (7.5mm)



Tel 1-714-898-3830

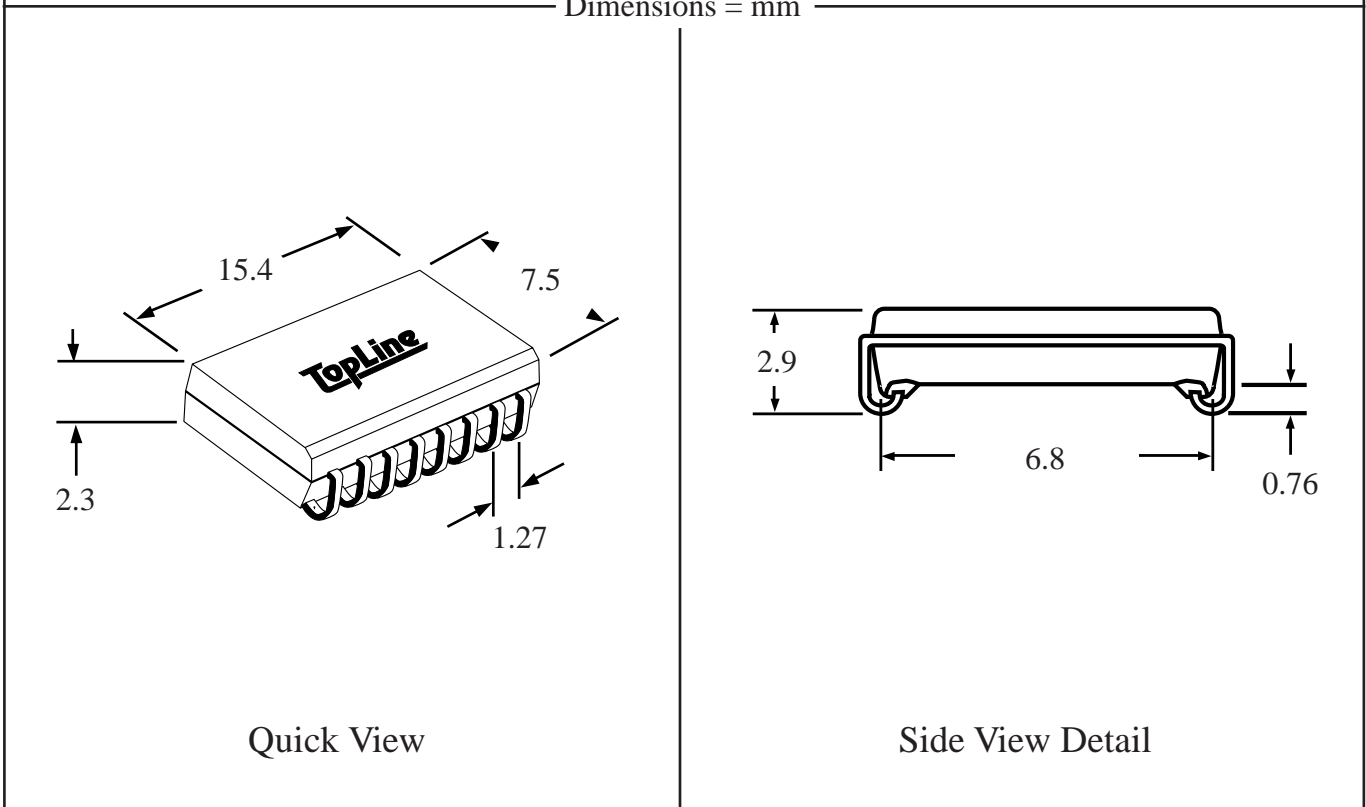
info@topline.tv



Top View

PC Board

Dimensions = mm

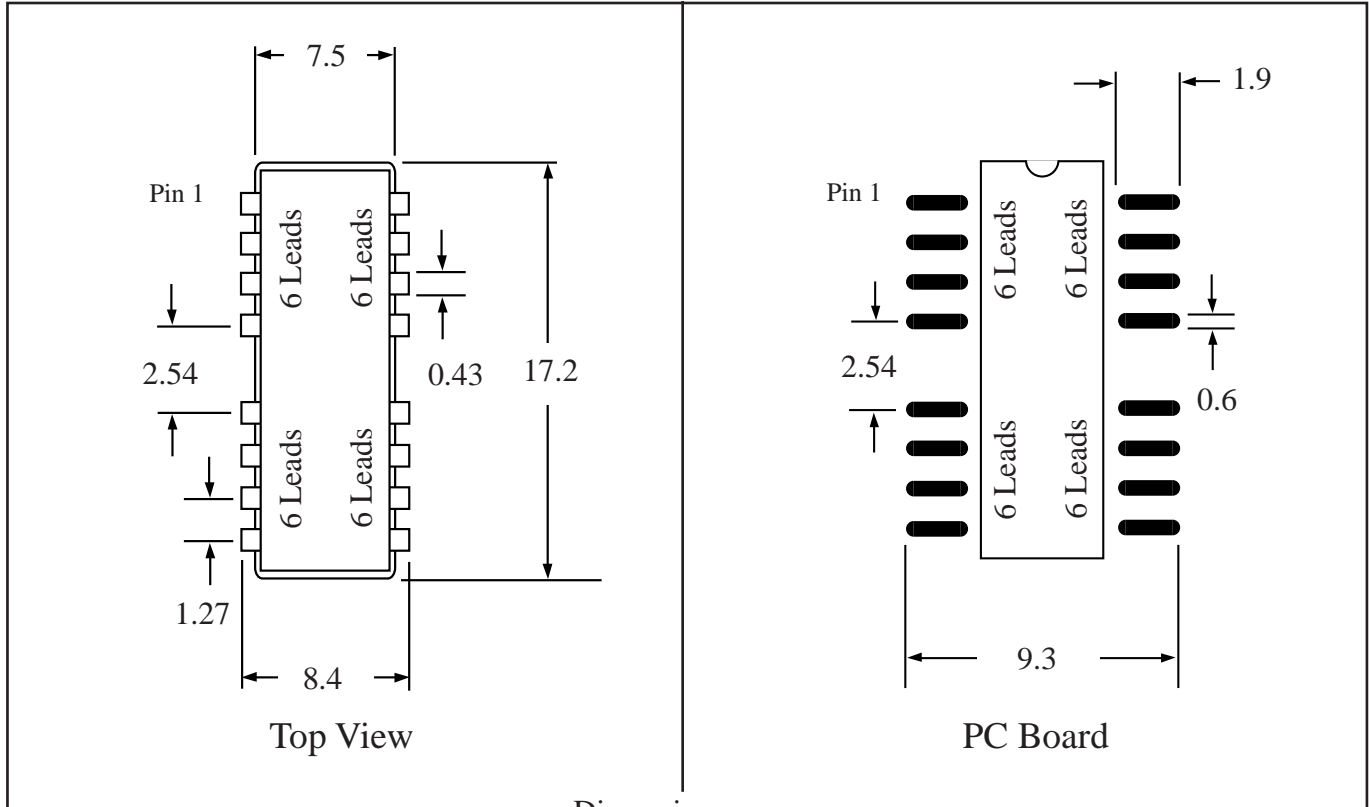


Quick View

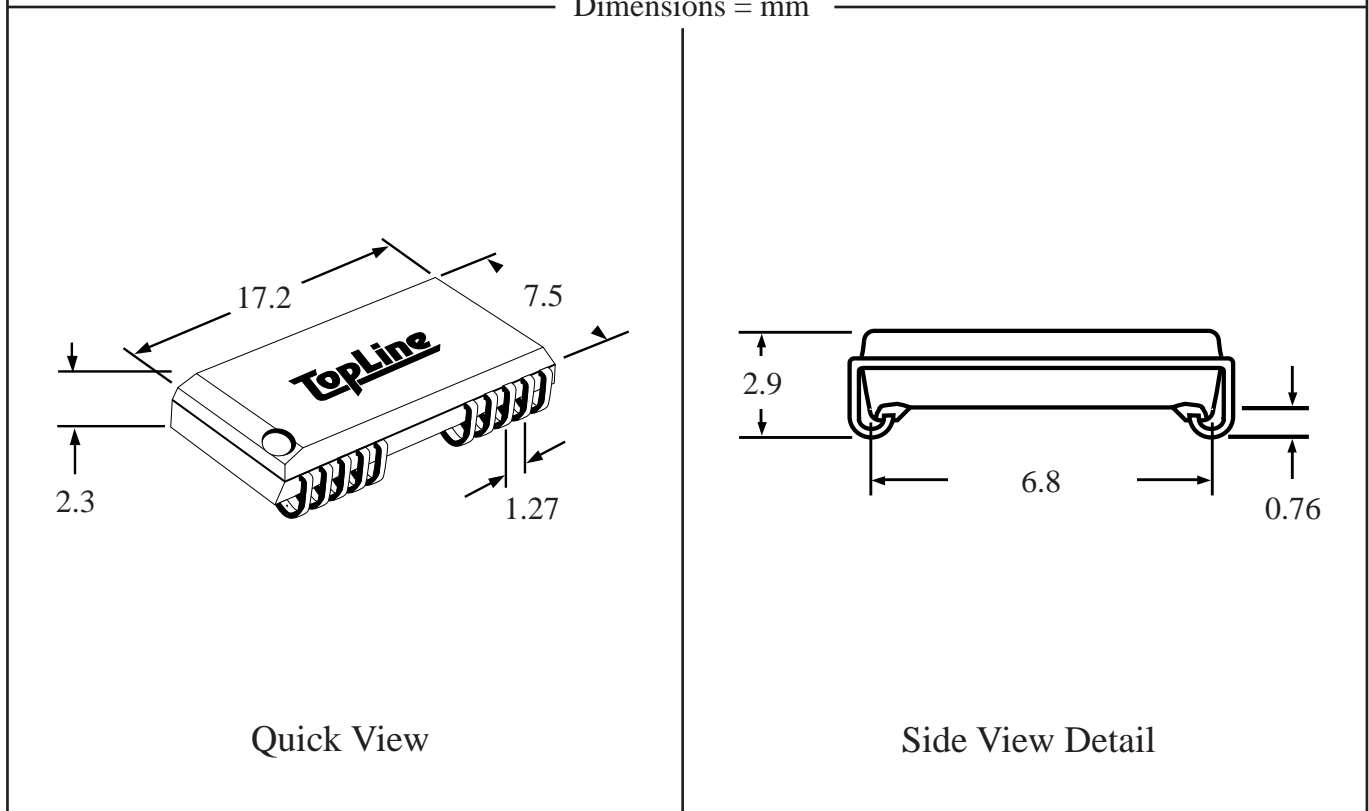
Side View Detail

Part # **SOLJ24/26**
 Leads **20/26** Pitch **1.27mm (.05")**
 Body Size **300mil (7.5mm)**

TopLine™
 Tel 1-714-898-3830
 info@topline.tv

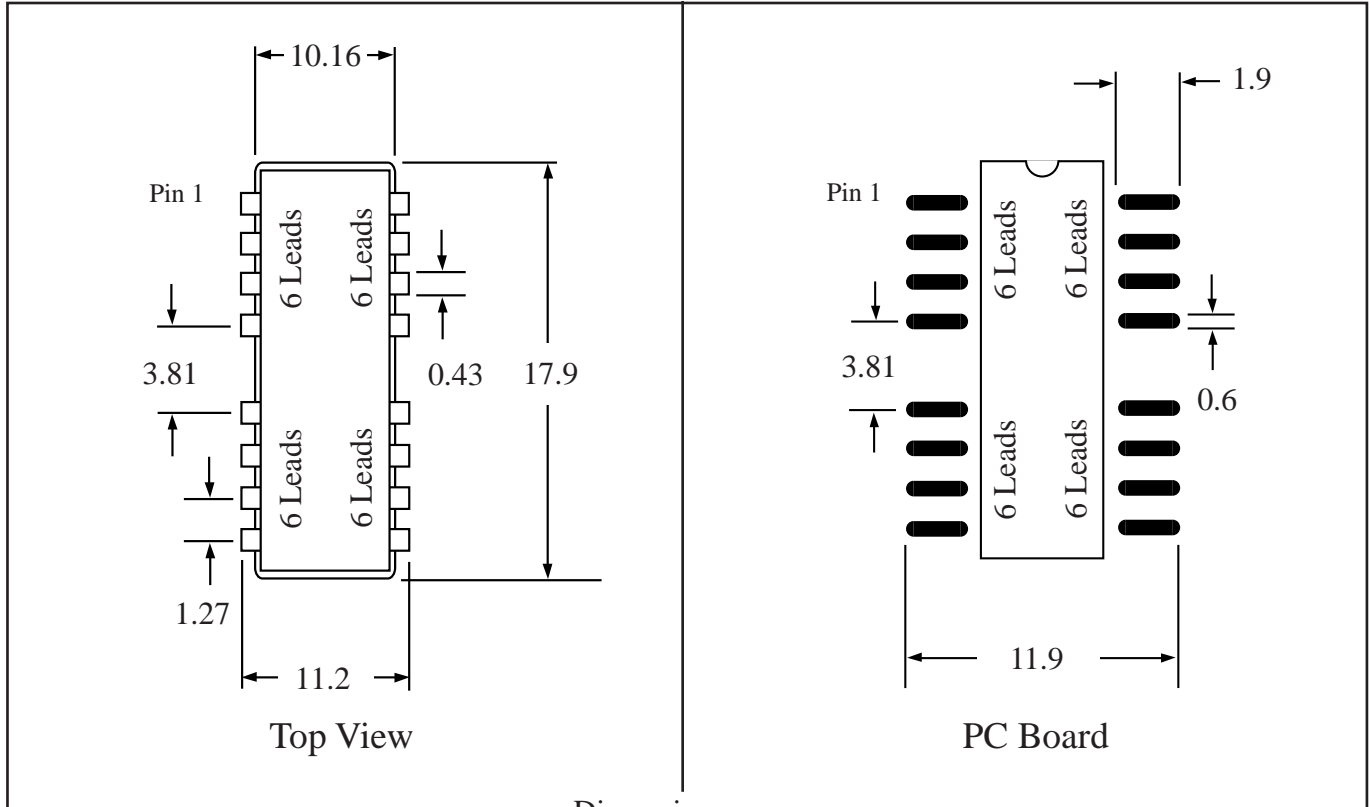


Dimensions = mm

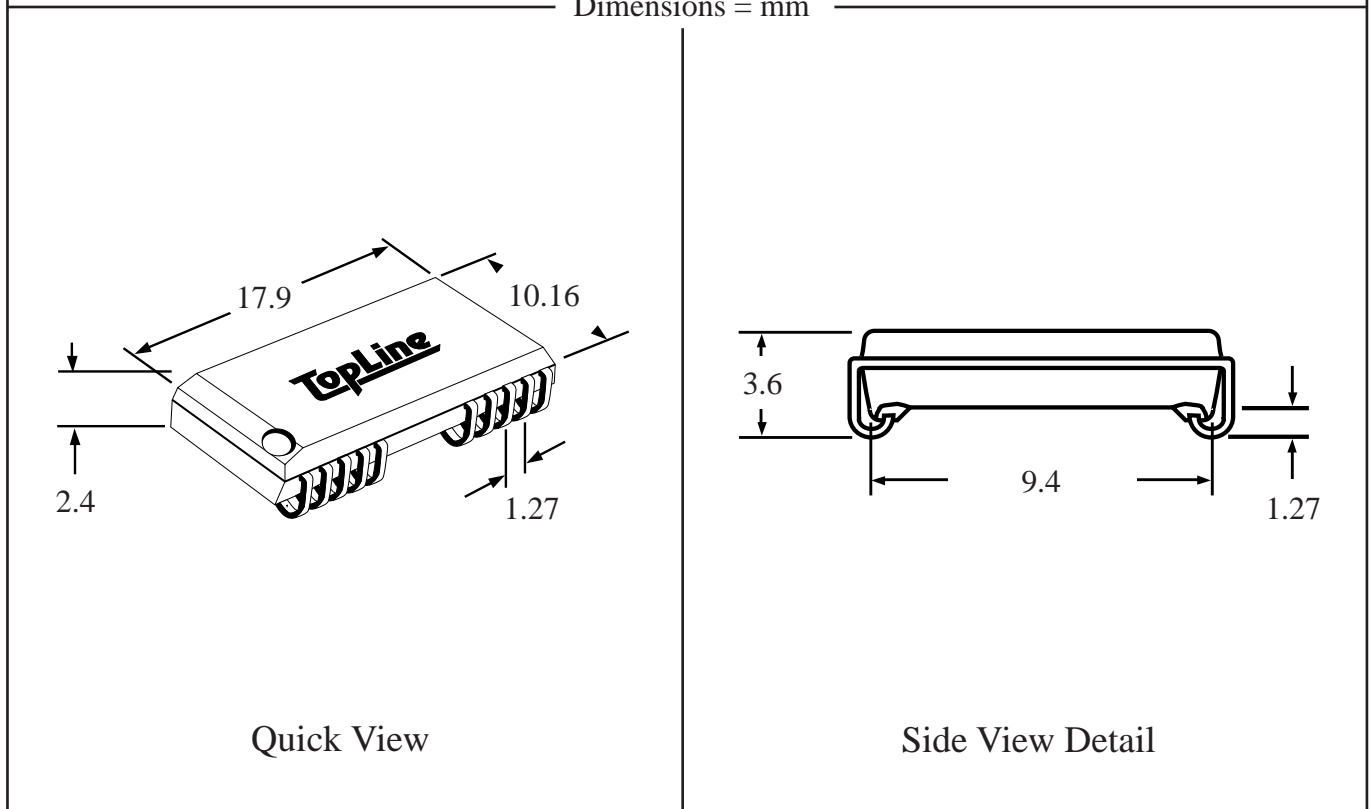


Part # **SOXJ24/28**
 Leads **24/28** Pitch **1.27mm (.05")**
 Body Size **300mil (7.5mm)**

TopLineTM
 Tel 1-714-898-3830
 info@topline.tv



Dimensions = mm



Part # SOLJ28

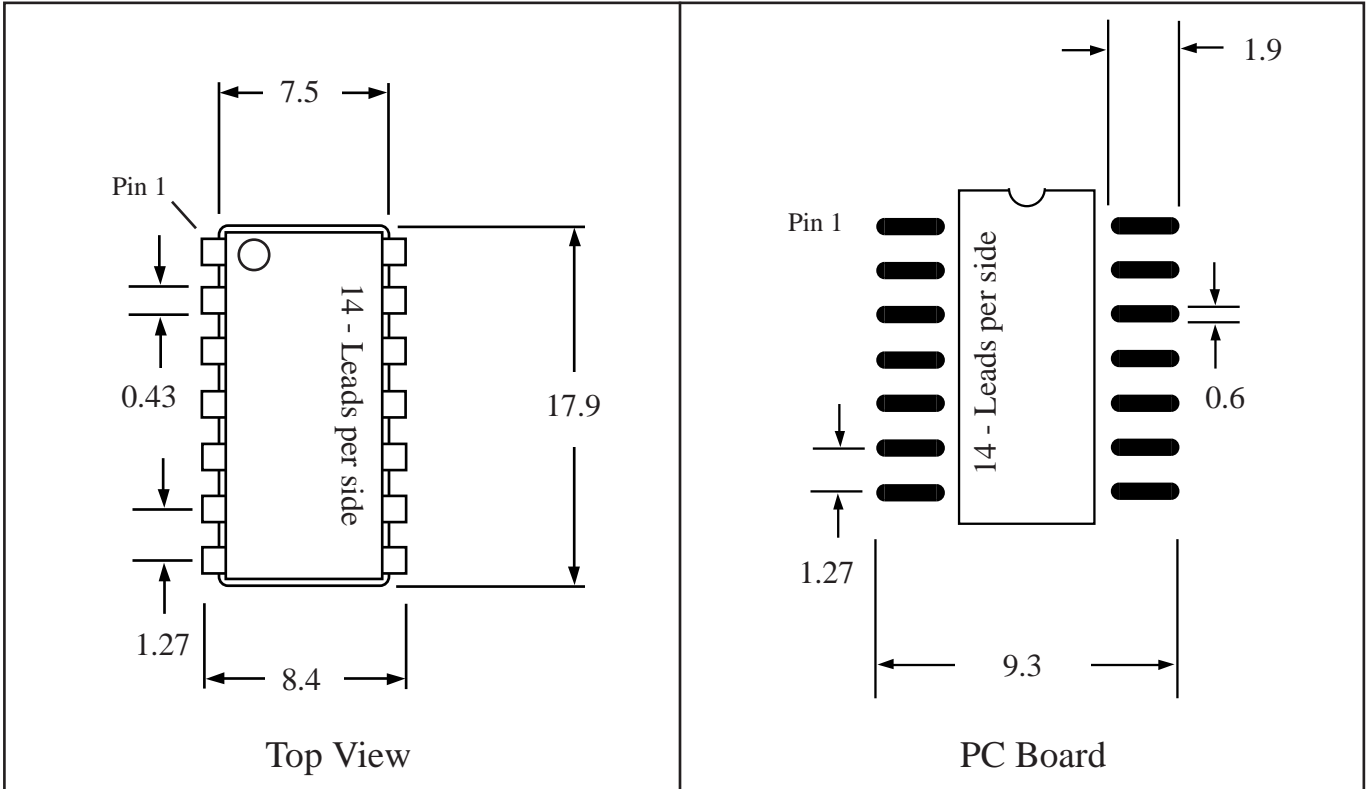
Leads 28 Pitch 1.27mm (.05")

Body Size 300mil (7.5mm)



Tel 1-714-898-3830

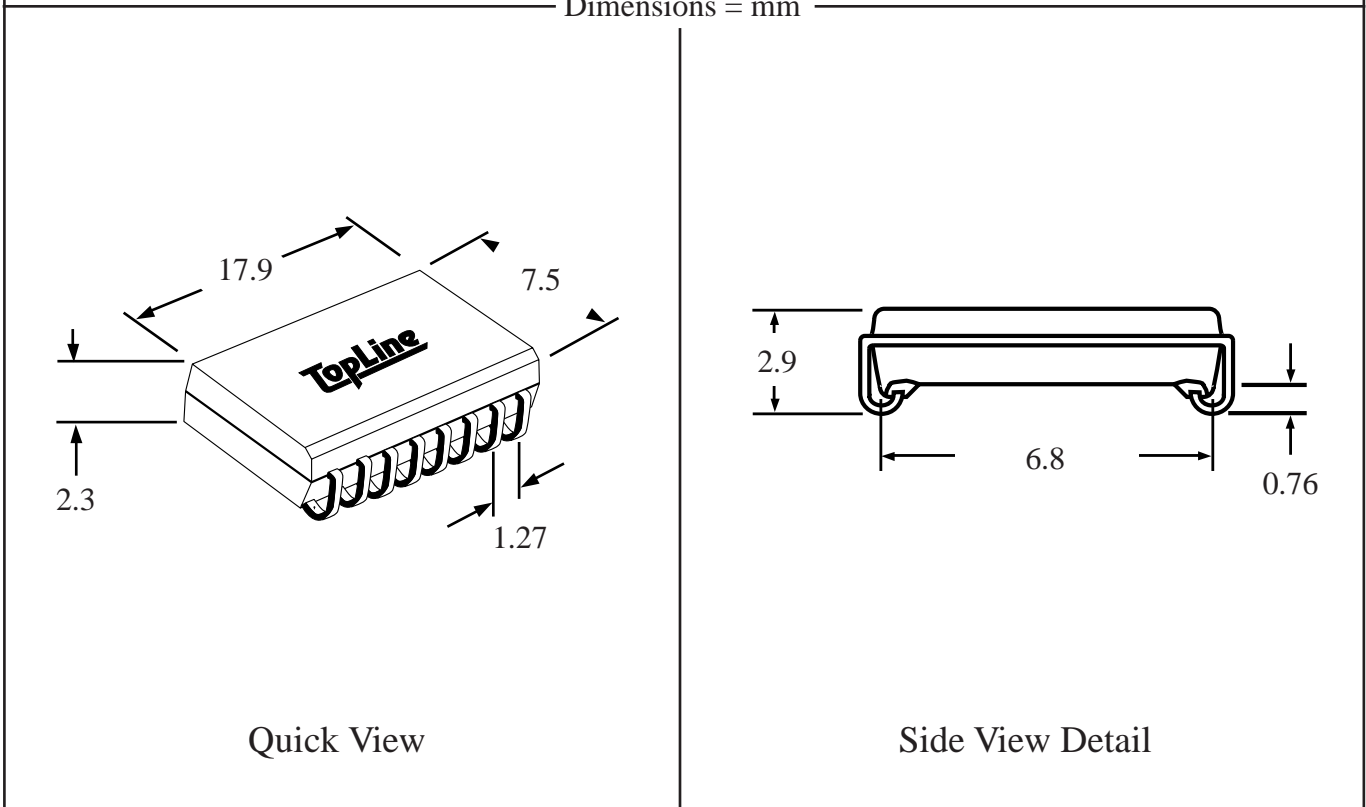
info@topline.tv



Top View

PC Board

Dimensions = mm



Quick View

Side View Detail

Part # **SOXJ28**

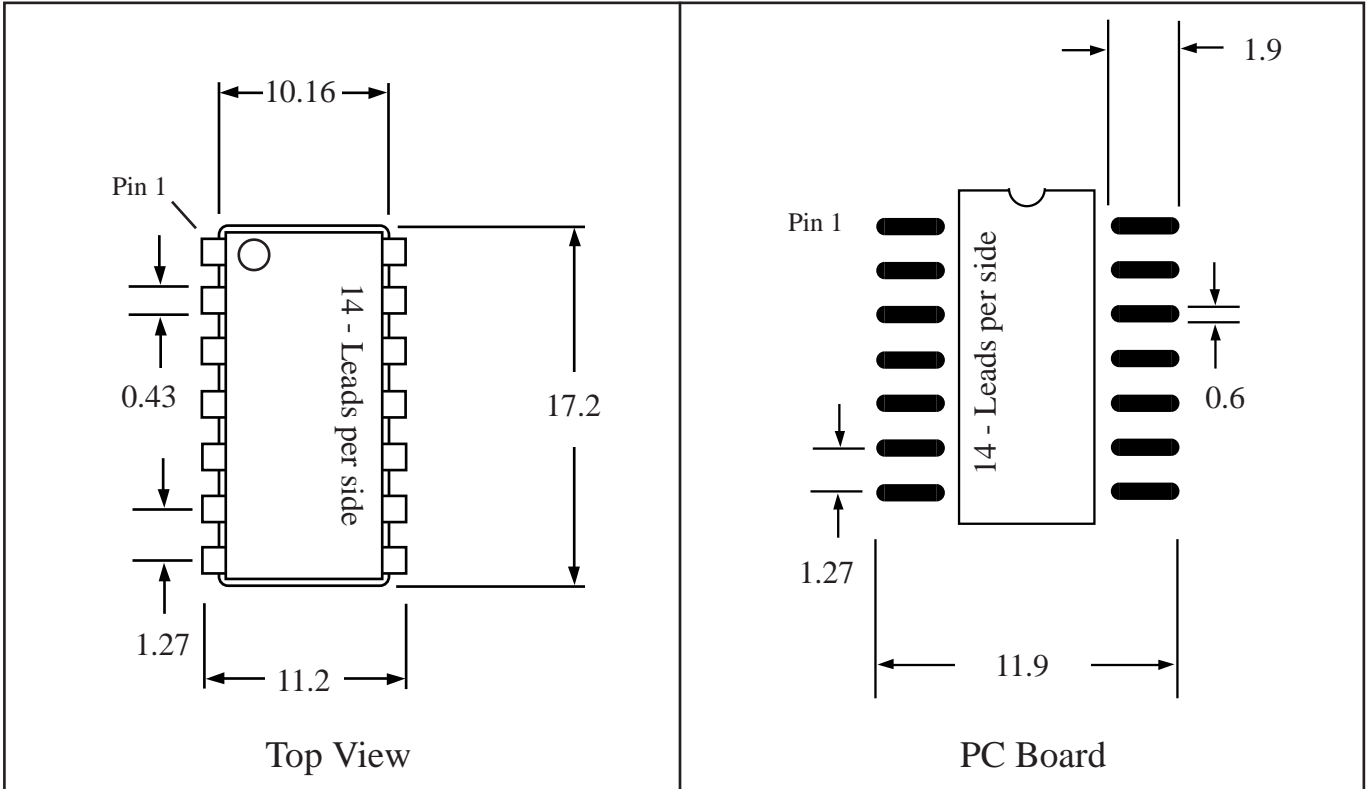
Leads **28** Pitch **1.27mm (.05")**

Body Size **400mil (10.16mm)**



Tel 1-714-898-3830

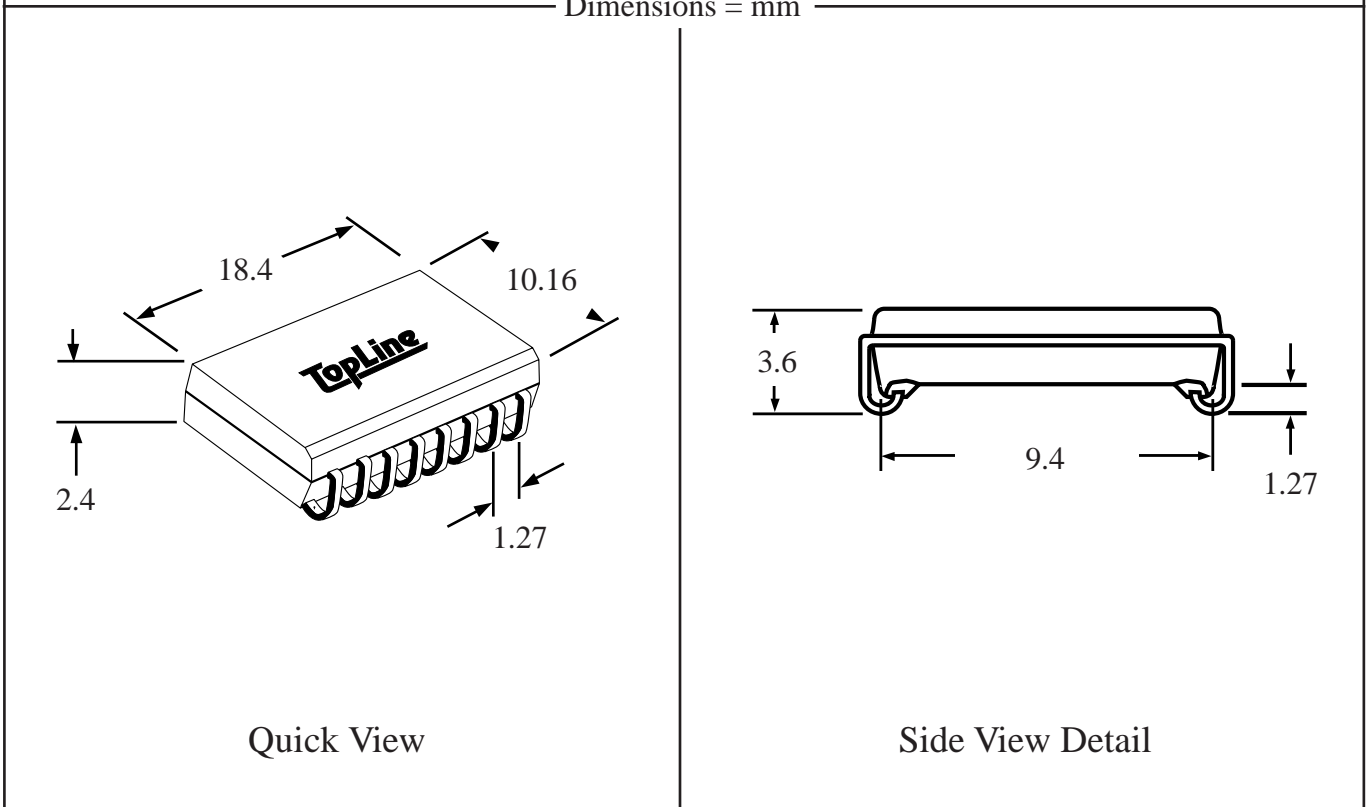
info@topline.tv



Top View

PC Board

Dimensions = mm



Quick View

Side View Detail

Part # **SOLJ32**

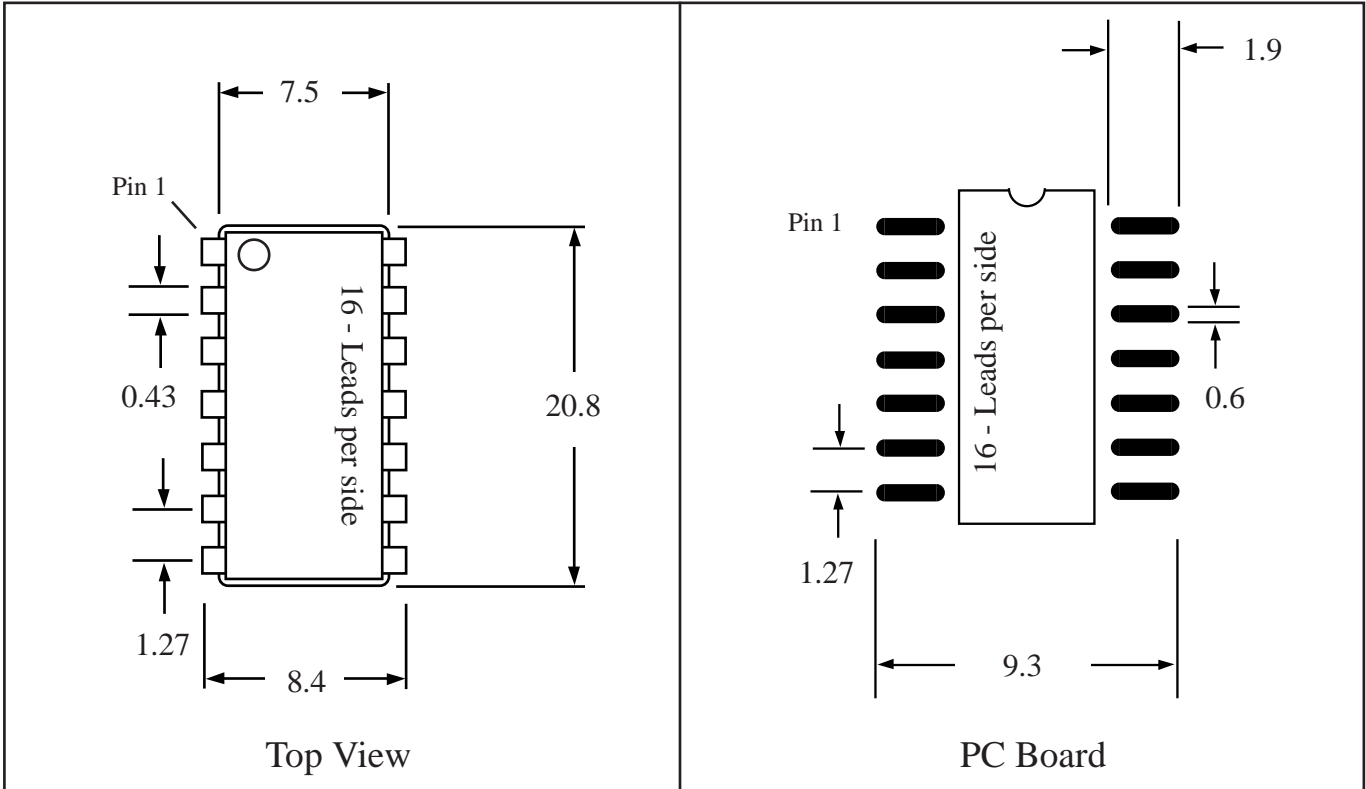
Leads **32** Pitch **1.27mm (.05")**

Body Size **300mil (7.5mm)**

TopLine™

Tel 1-714-898-3830

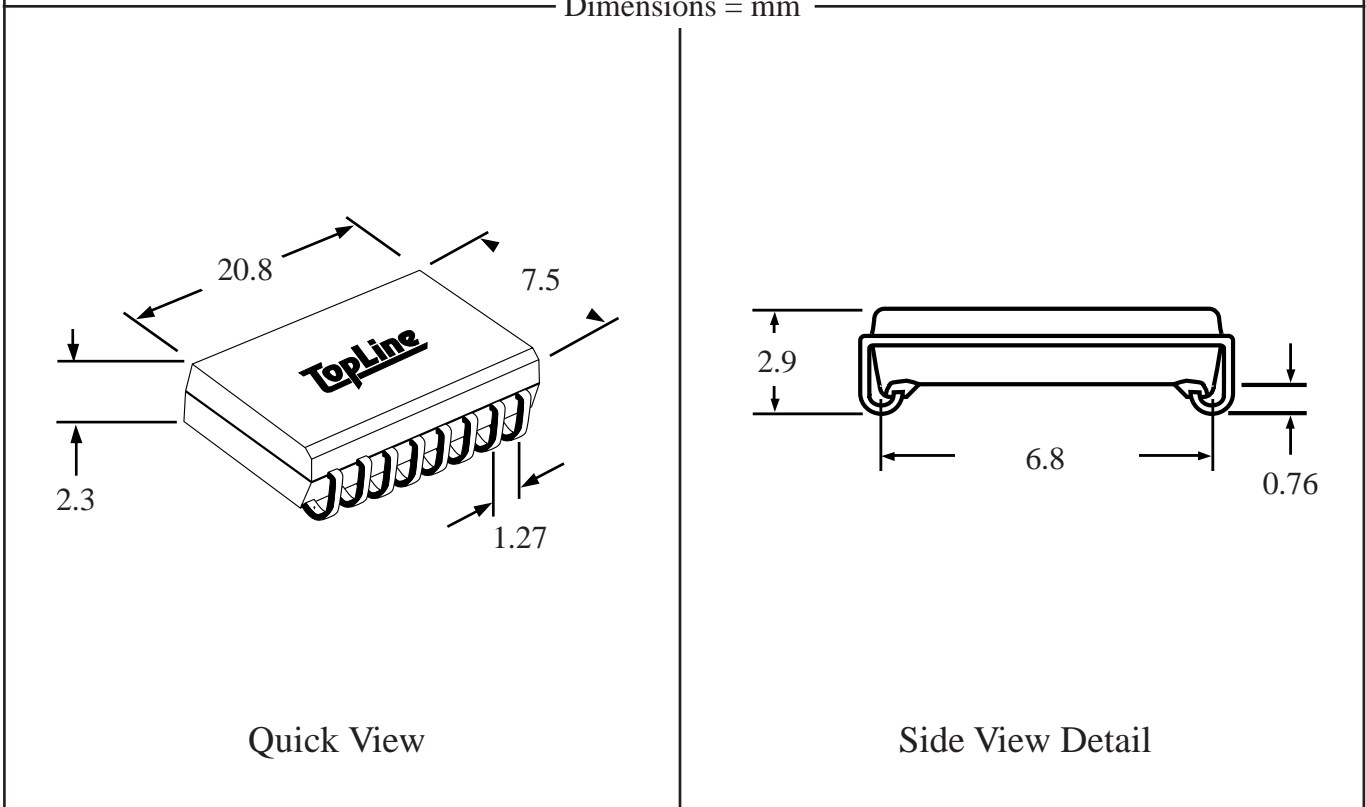
info@topline.tv



Top View

PC Board

Dimensions = mm



Quick View

Side View Detail

Part # **SOXJ32**

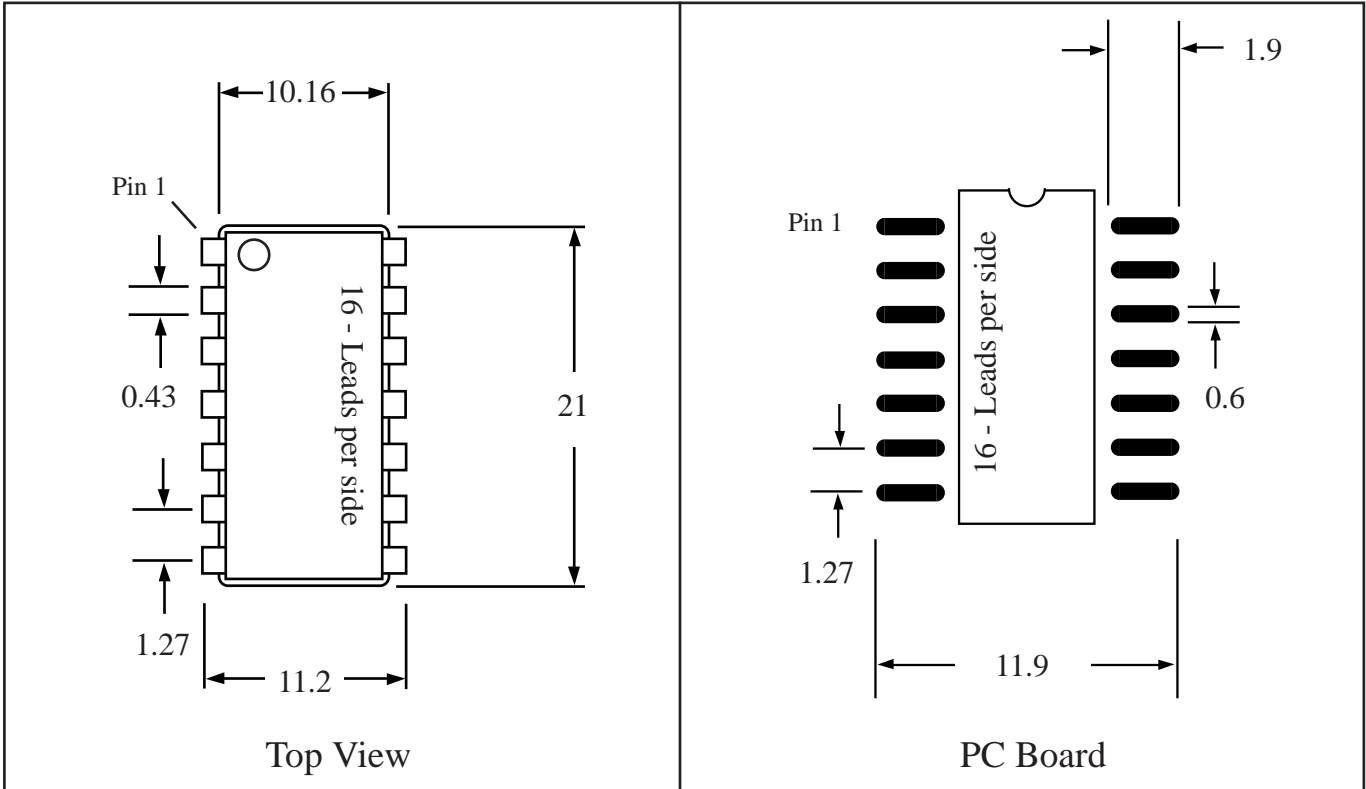
Leads **32** Pitch **1.27mm (.05")**

Body Size **400mil (10.16mm)**

TopLine™

Tel 1-714-898-3830

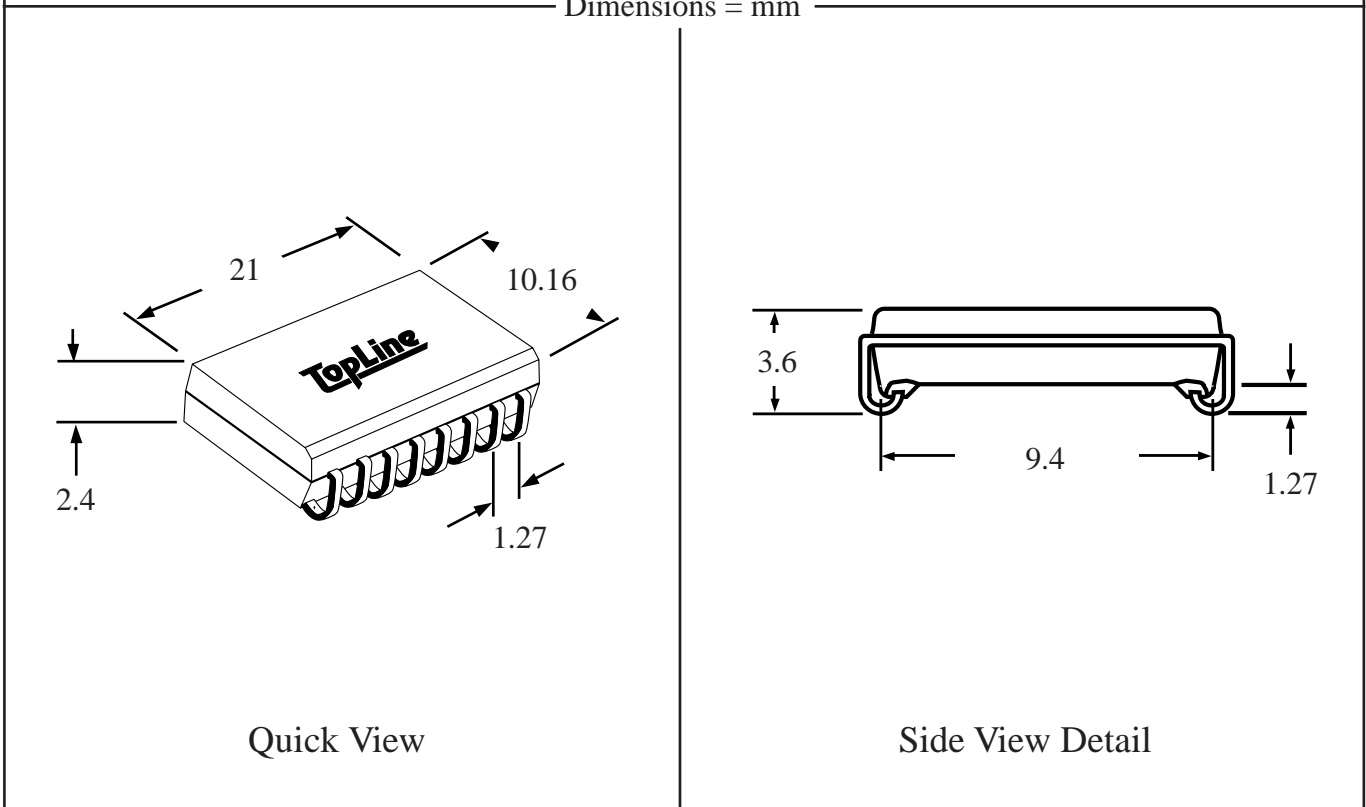
info@topline.tv



Top View

PC Board

Dimensions = mm



Quick View

Side View Detail

Part # **SOXJ36**

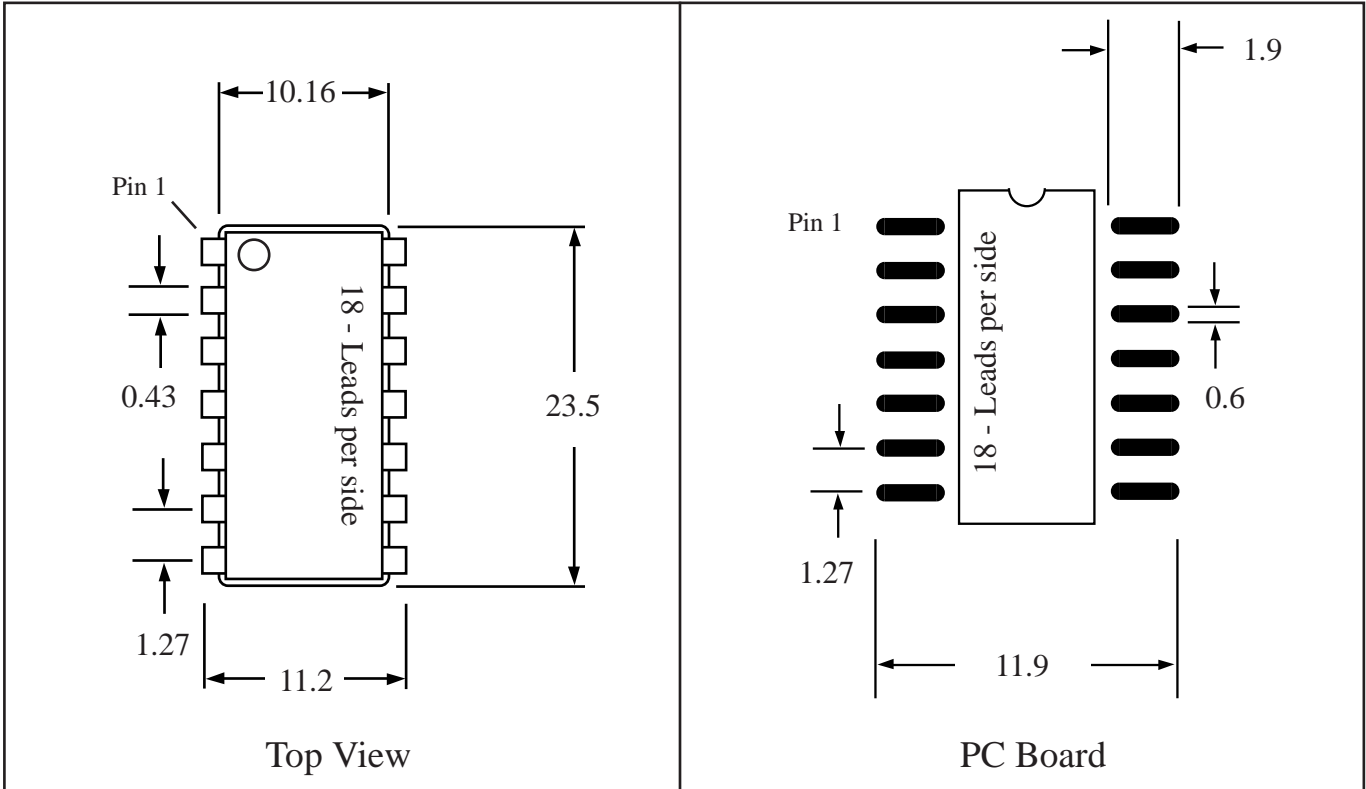
Leads **36** Pitch **1.27mm (.05")**

Body Size **400mil (10.16mm)**

TopLine™

Tel 1-714-898-3830

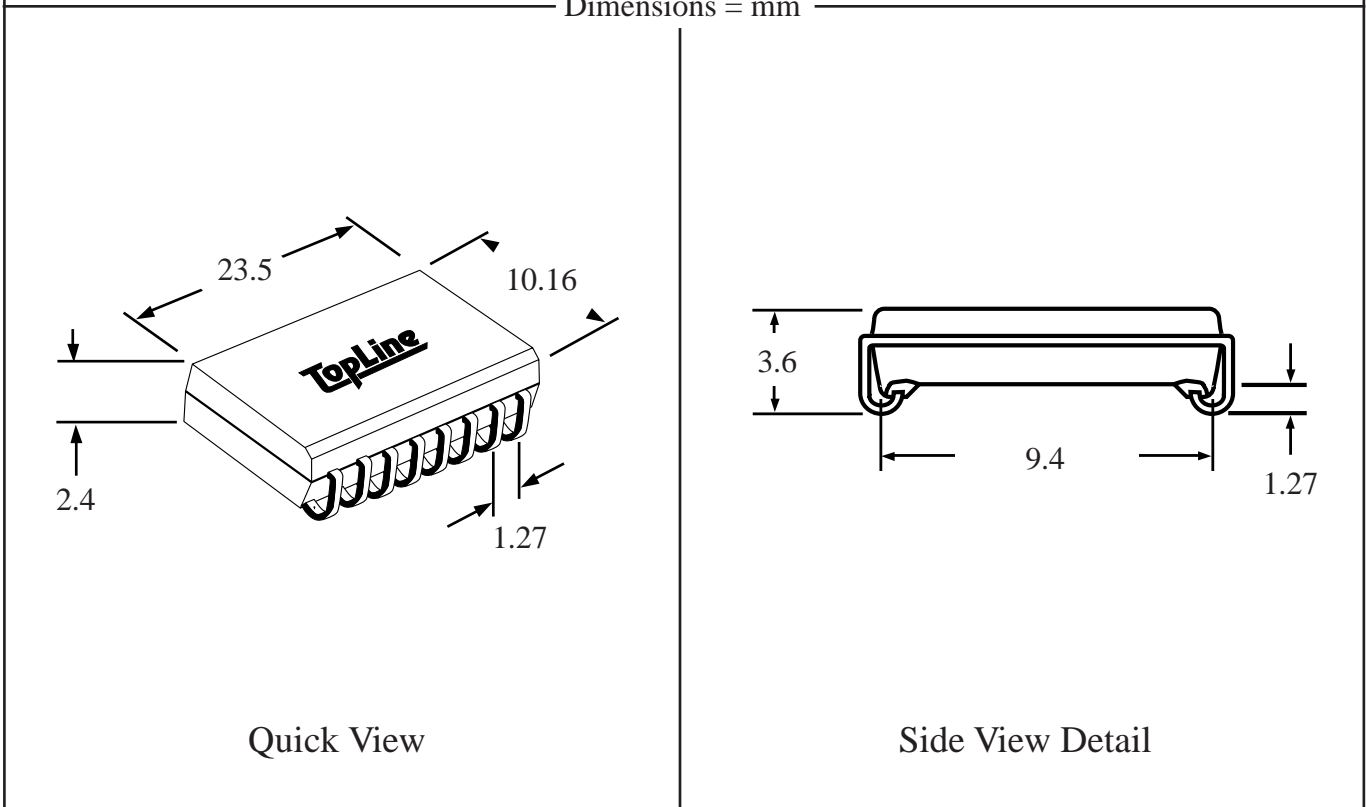
info@topline.tv



Top View

PC Board

Dimensions = mm



Quick View

Side View Detail

Part # **SOXJ40**

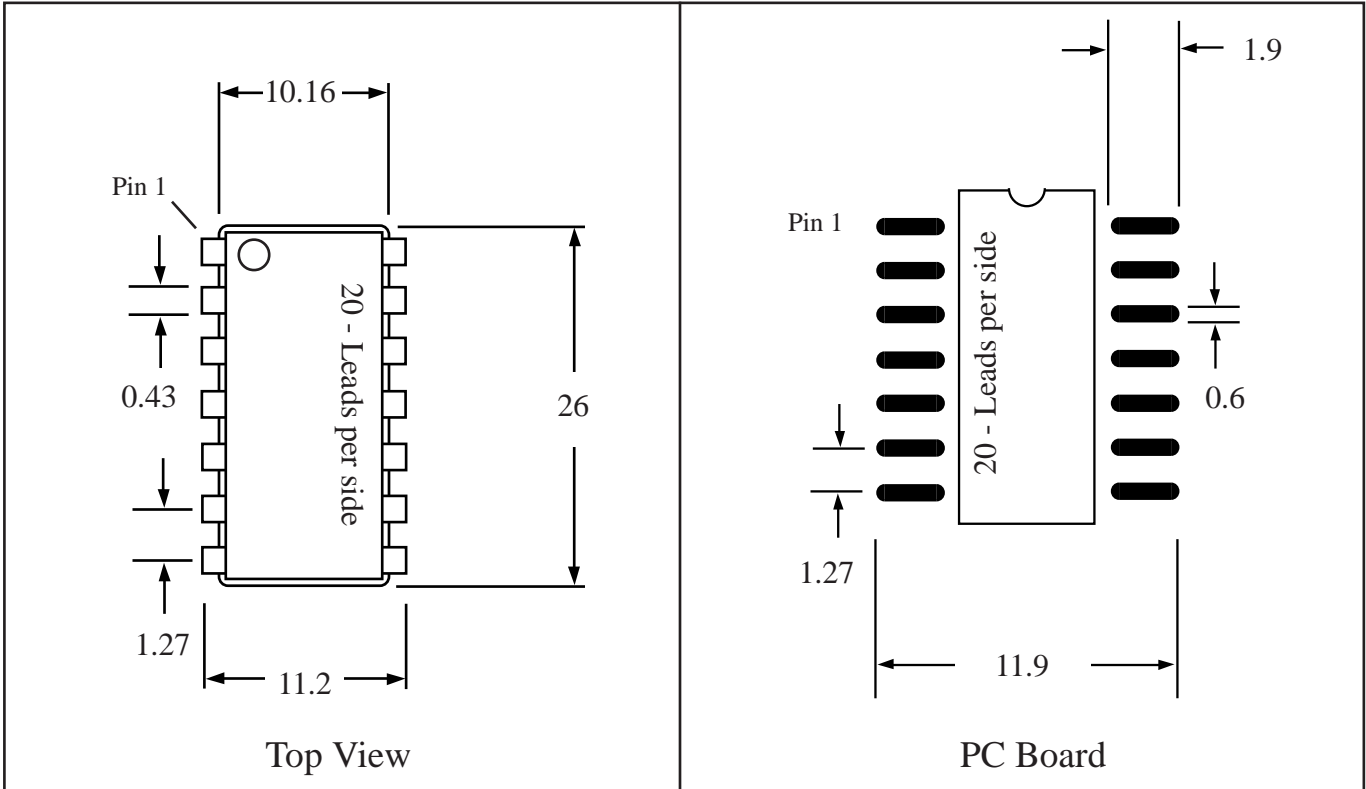
Leads **40** Pitch **1.27mm (.05")**

Body Size **400mil (10.16mm)**

TopLine™

Tel 1-714-898-3830

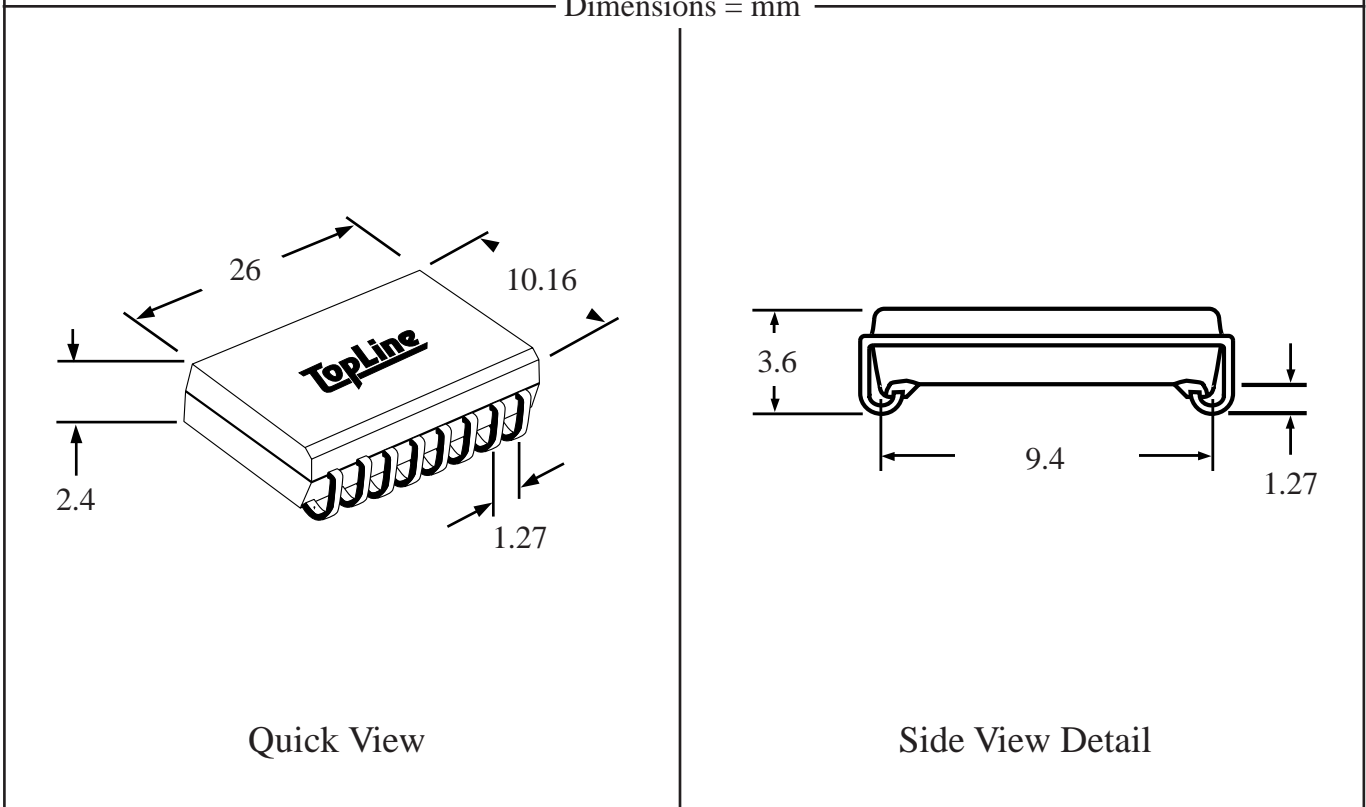
info@topline.tv



Top View

PC Board

Dimensions = mm



Quick View

Side View Detail

Part # **SOXJ42**

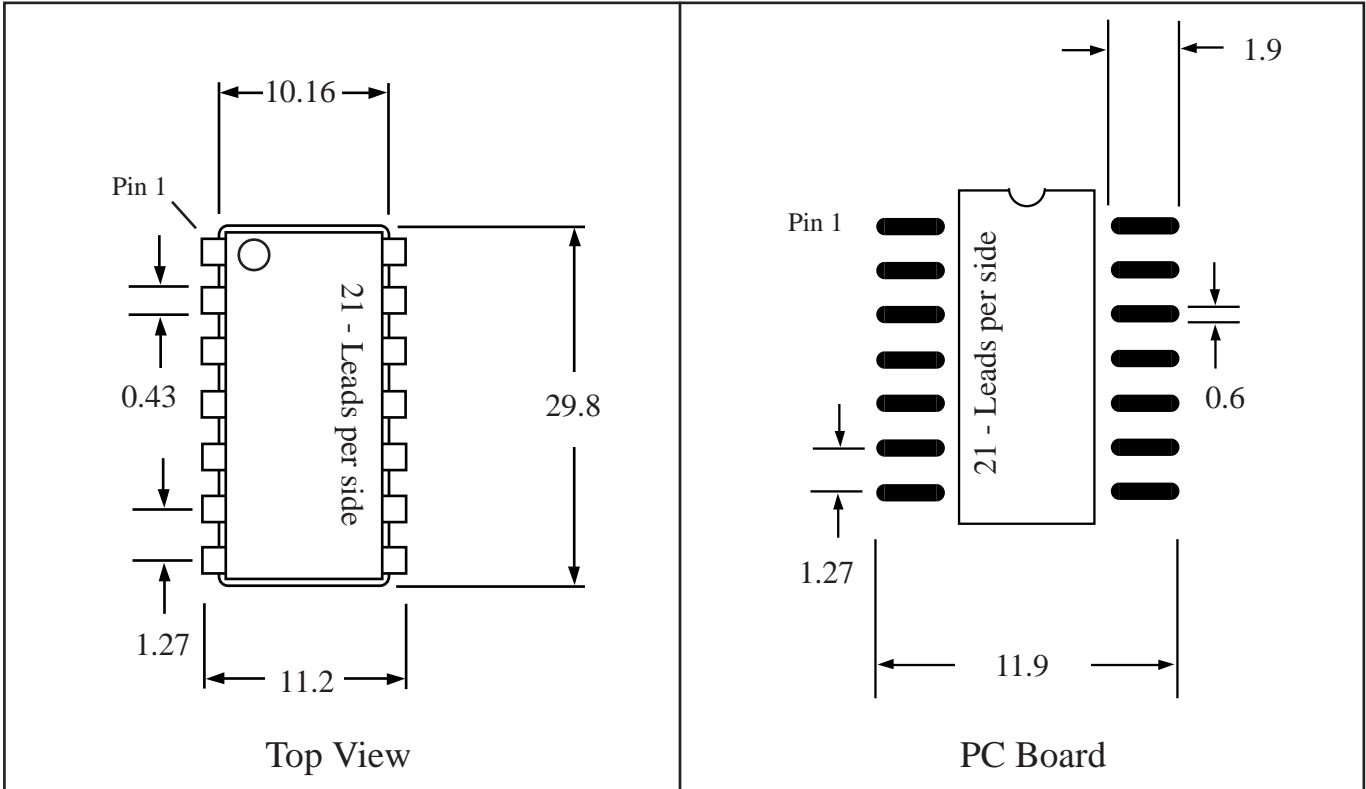
Leads **42** Pitch **1.27mm (.05")**

Body Size **400mil (10.16mm)**

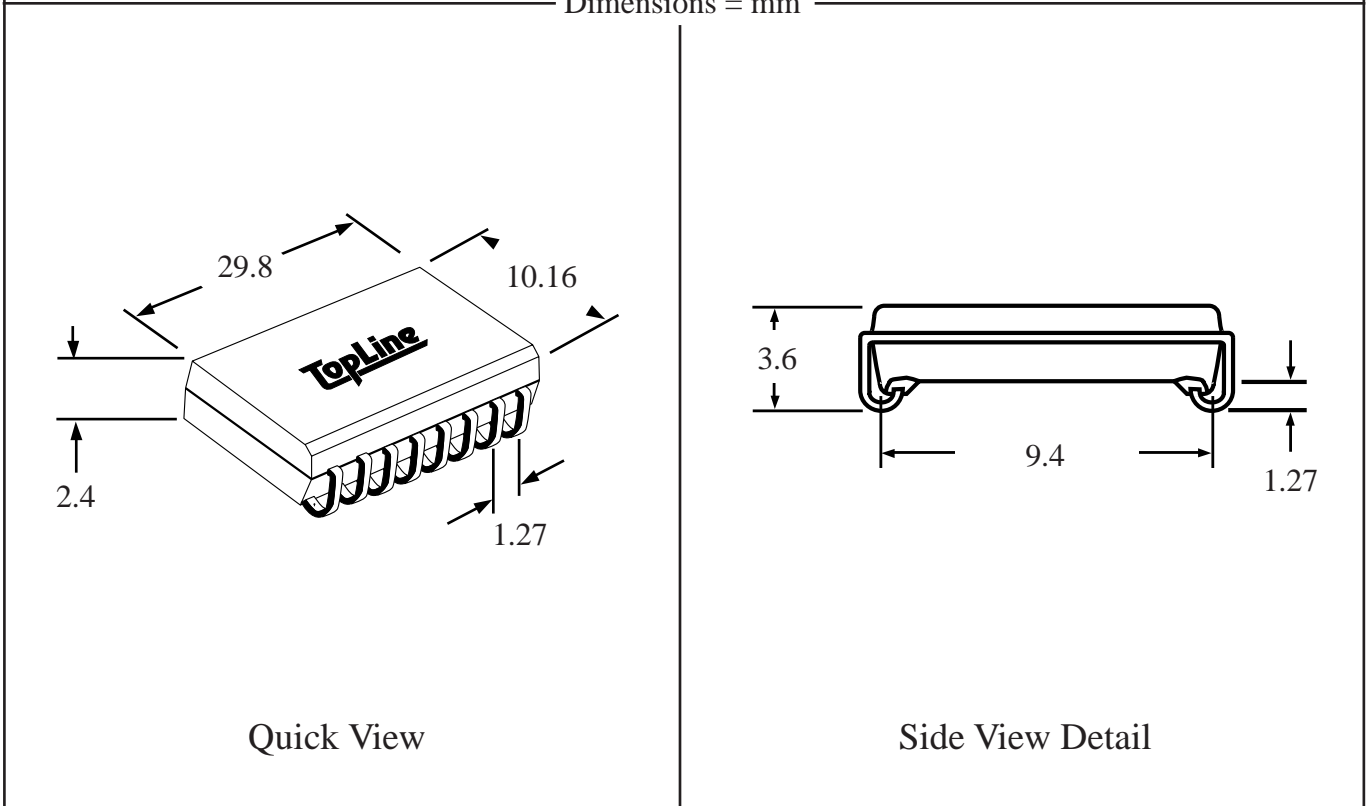


Tel 1-714-898-3830

info@topline.tv



Dimensions = mm



Part # **SOXJ44**

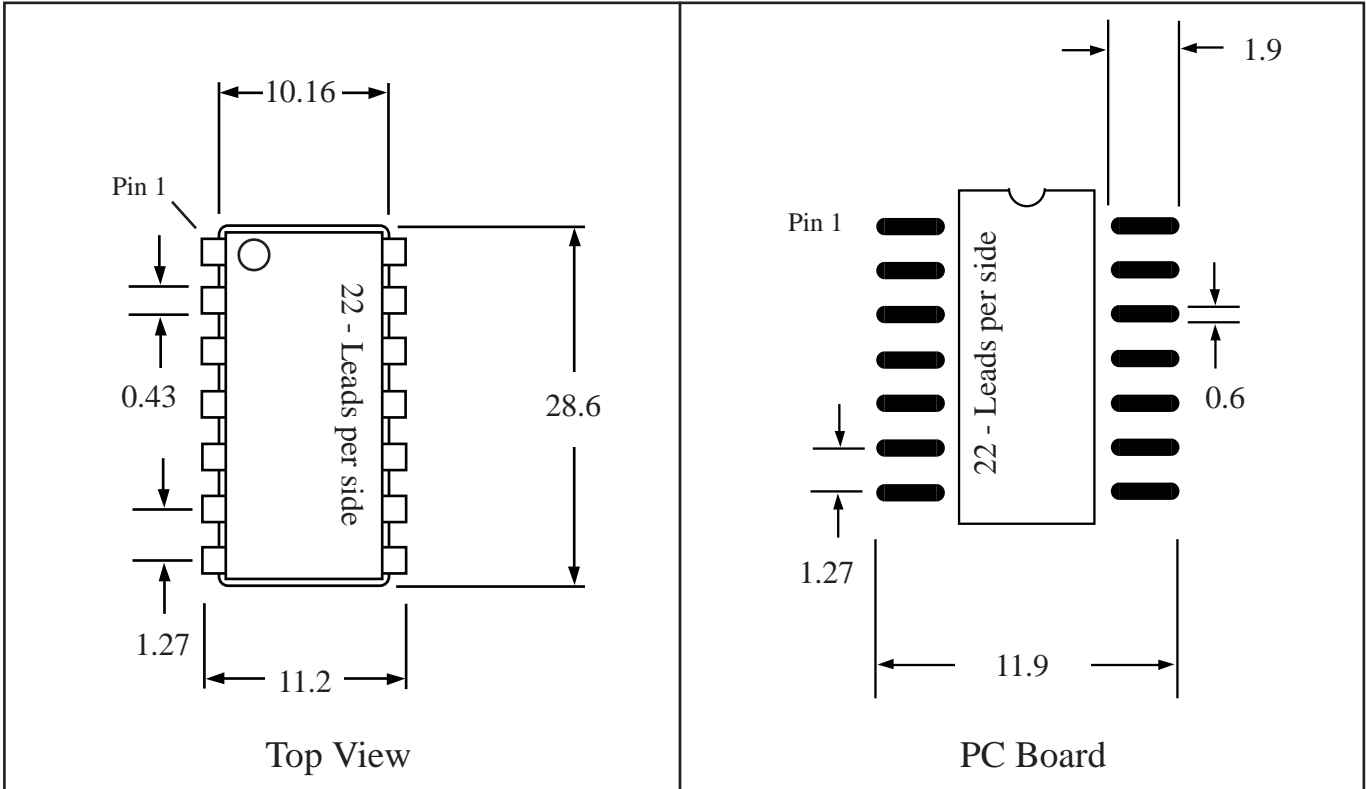
Leads **44** Pitch **1.27mm (.05")**

Body Size **400mil (10.16mm)**

TopLine™

Tel 1-714-898-3830

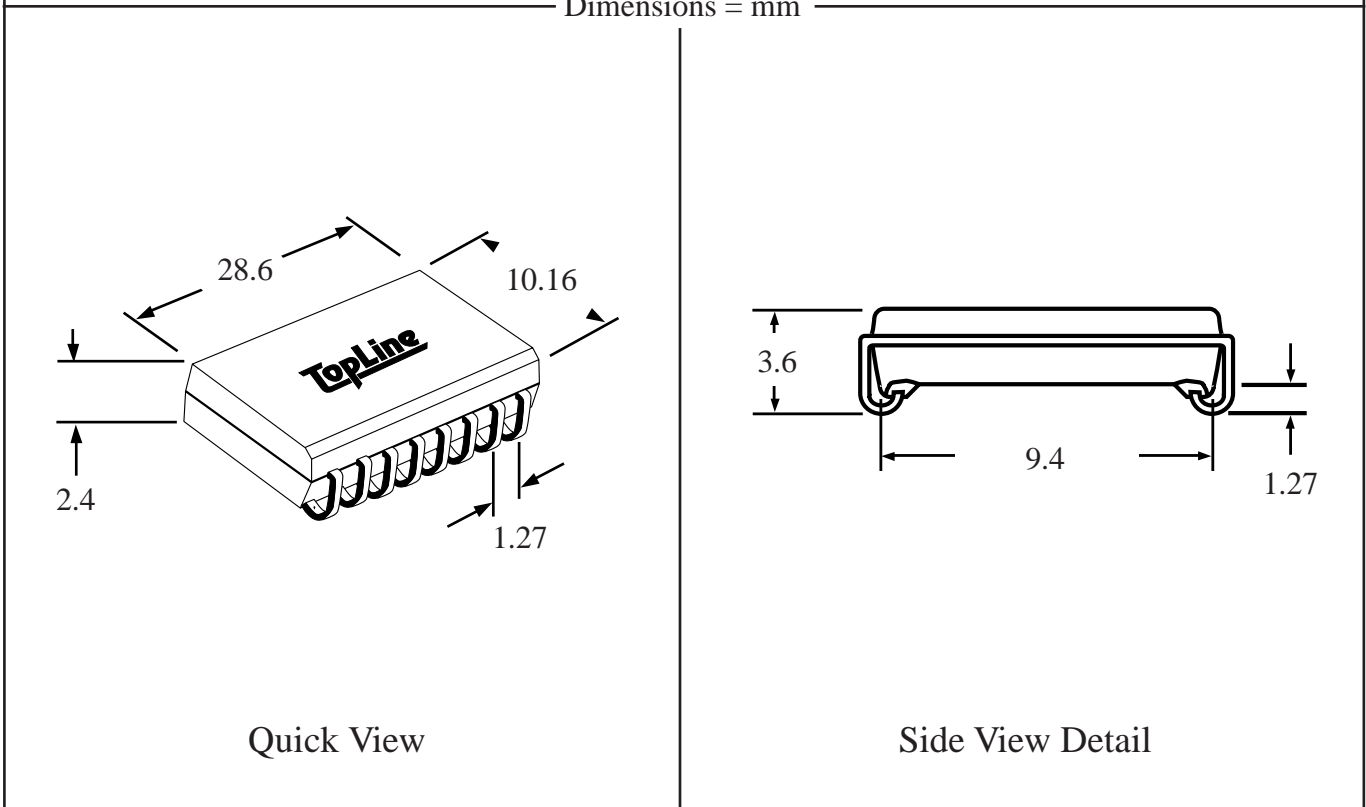
info@topline.tv



Top View

PC Board

Dimensions = mm



Quick View

Side View Detail

Part # **SOXJ50M30**

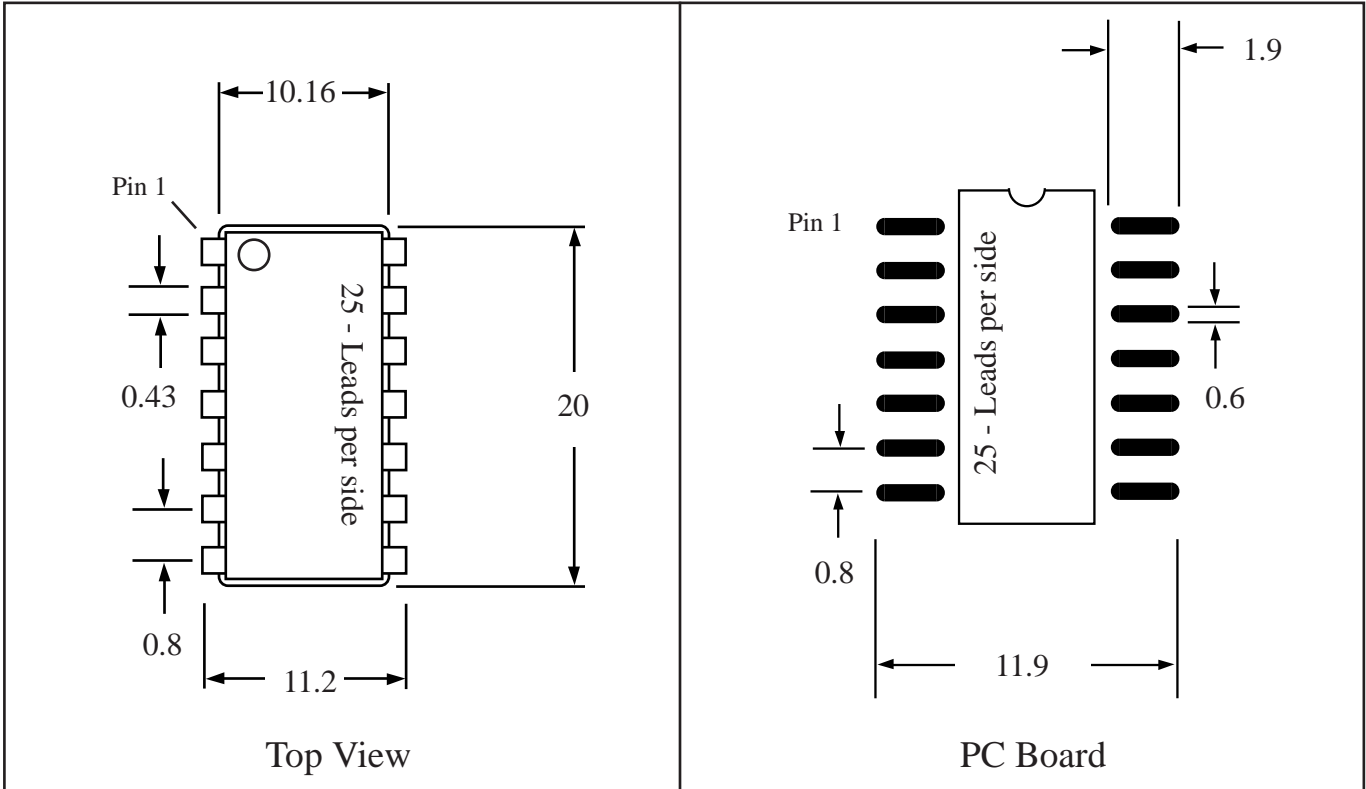
Leads **50** Pitch **0.8mm (.0315")**

Body Size **400mil (10.16mm)**



Tel 1-714-898-3830

info@topline.tv



Dimensions = mm

