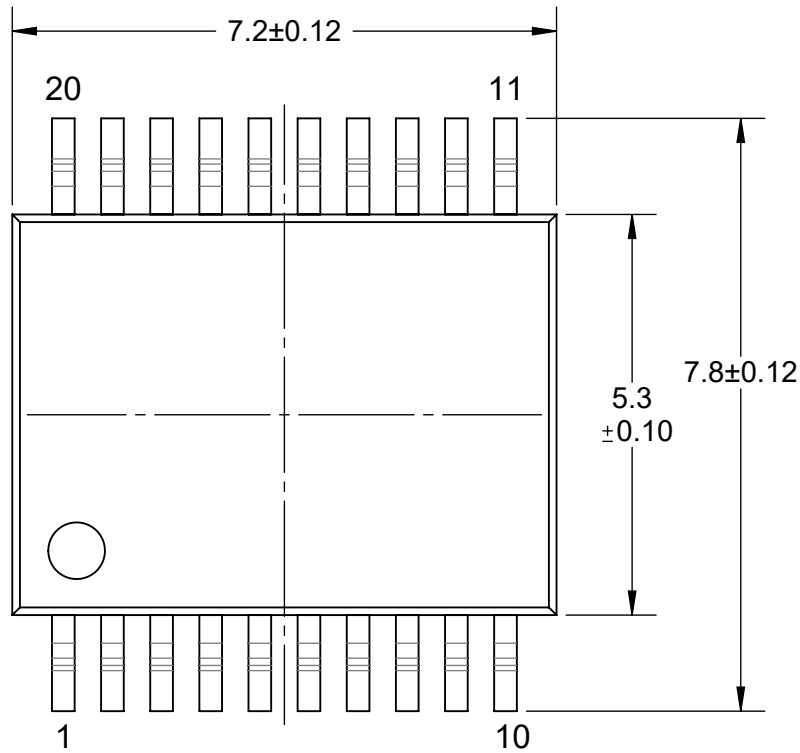
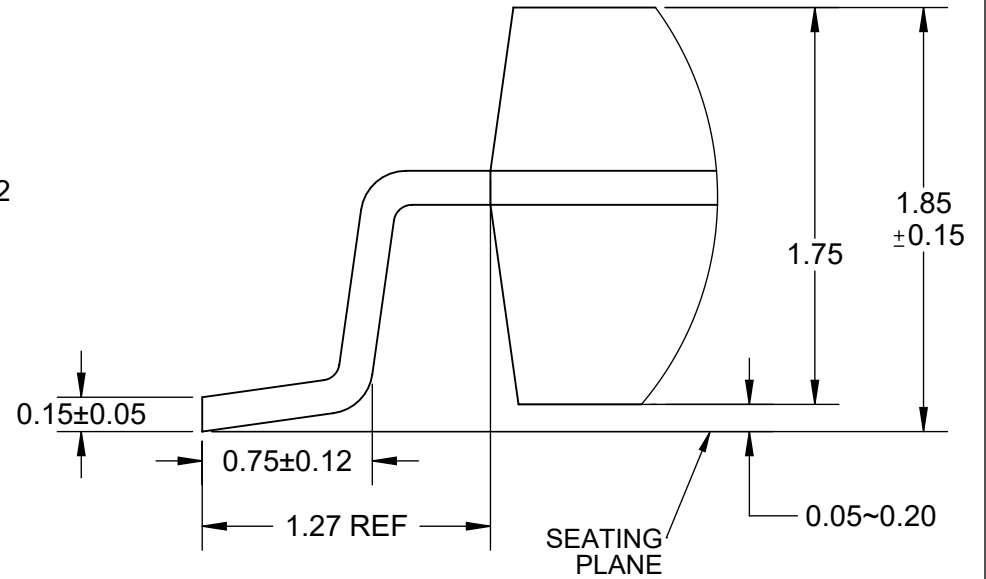


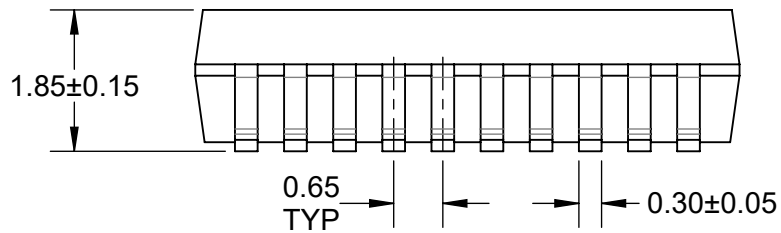
TOP VIEW



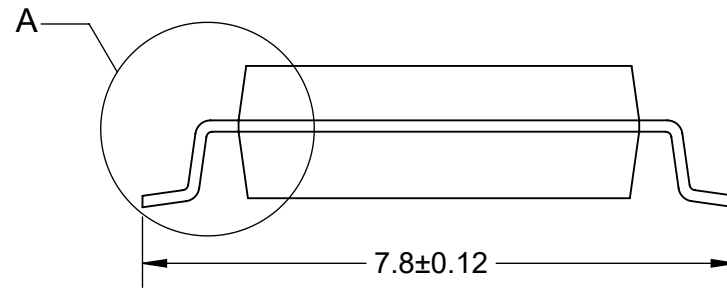
DETAIL A



SIDE VIEW



END VIEW

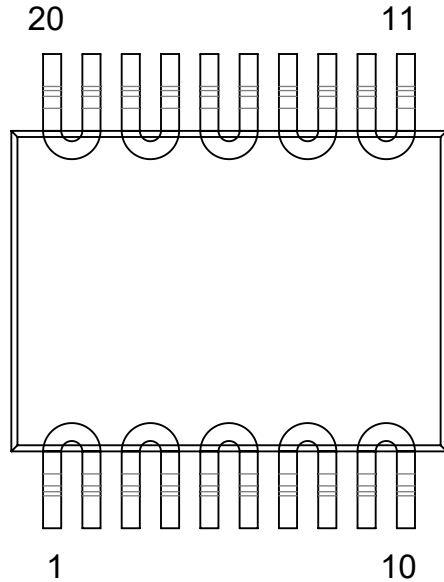


Notes: (Unless Otherwise Specified)

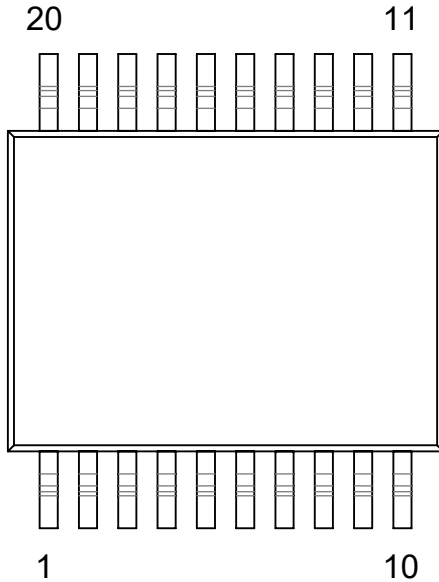
1. DIMENSIONS ARE IN mm.
2. SEE DAISY CHAIN JUMPER DIAGRAMS (PAGE 2).
3. SEE PART NUMBER CONFIGURATION (PAGE 3).
4. RECOMMENDED PC BOARD LAYOUT PATTERN (PAGE 5).

APPROVALS	DATE	TopLine®			
DRAWN T.Au	4/21/2023				
ENG M. Hart	4/21/2023	TITLE SSOP20 OUTLINE PACKAGE			
MFG		SCALE 10:1	SIZE A	DRAWING NO. 122009	REV A
QA					
CUST		DO NOT SCALE DRAWING			SHEET 1 OF 6
REVISED					

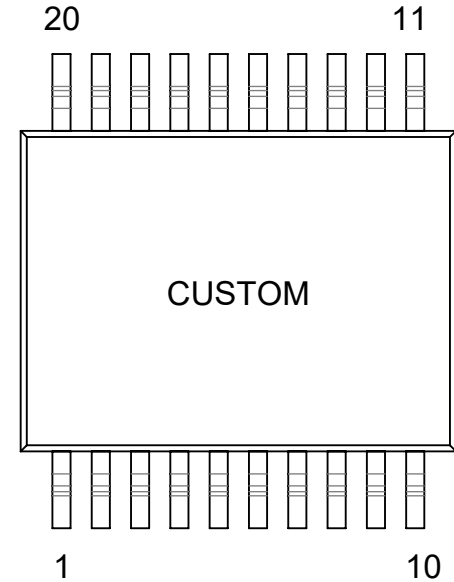
INTERNAL WIRING CIRCUIT (JUMPER) DAISY CHAIN PART NUMBER SUFFIX TOP VIEW



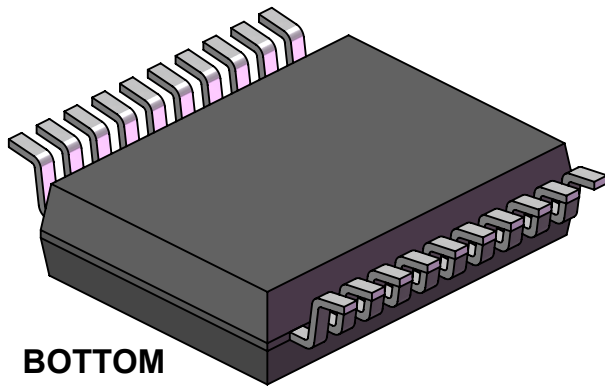
DE
DAISY CHAIN
EVEN



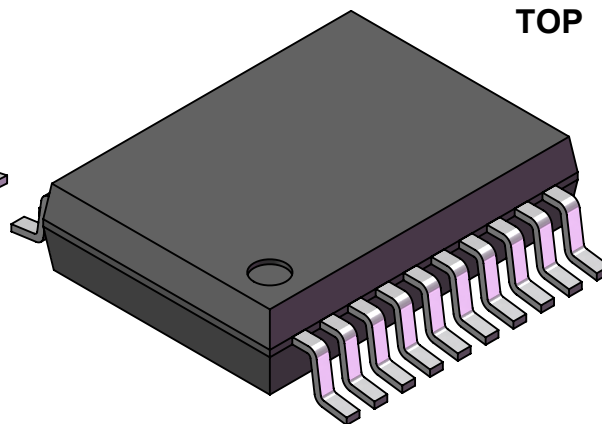
ISO
ISOLATED CIRCUIT
NO INTERNAL
CONNECTIONS



DC##
CUSTOM JUMPER
CONTACT TOPLINE



BOTTOM

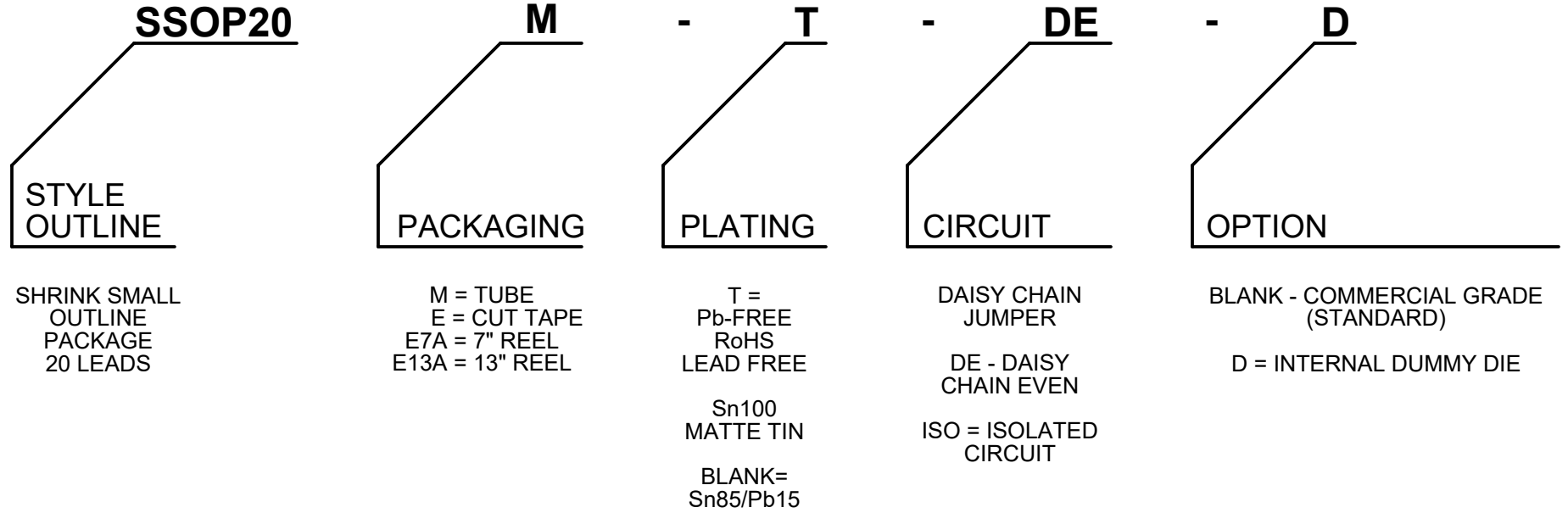


TOP

MODEL

TopLine®			
TITLE		SSOP20 OUTLINE PACKAGE	
SCALE	SIZE	DRAWING NO.	REV
10:1	A	122009	A
DO NOT SCALE DRAWING			SHEET 2 OF 6

PART NUMBERING SYSTEM

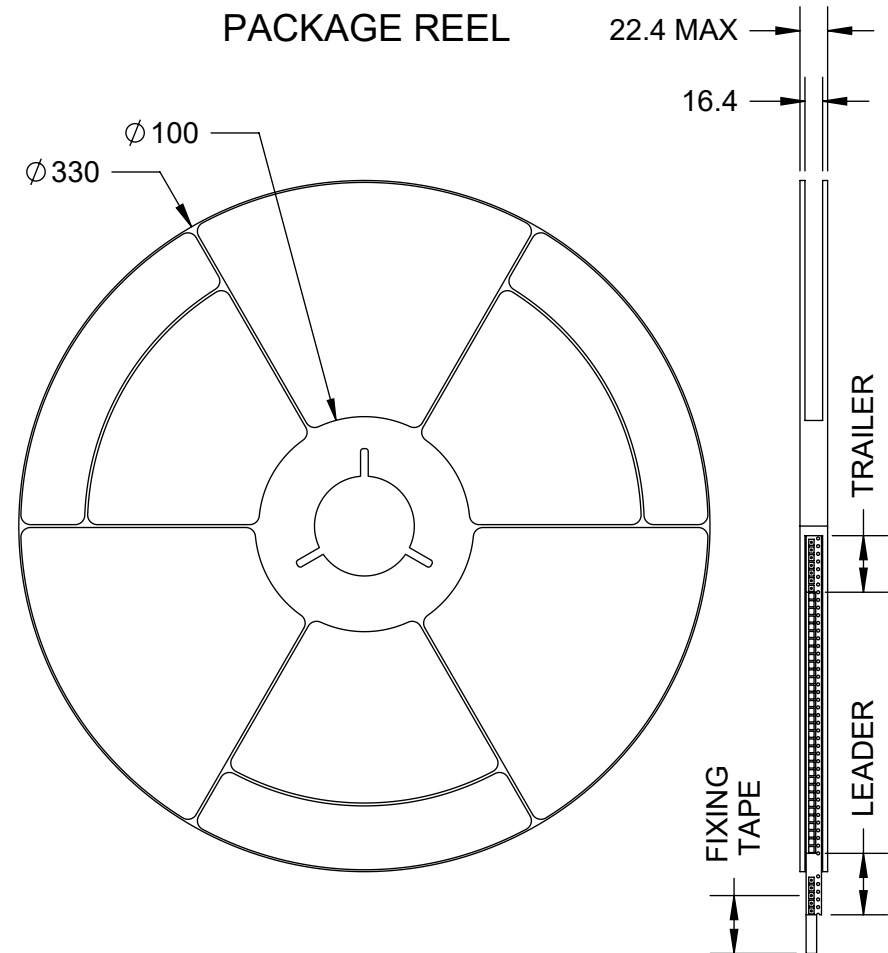
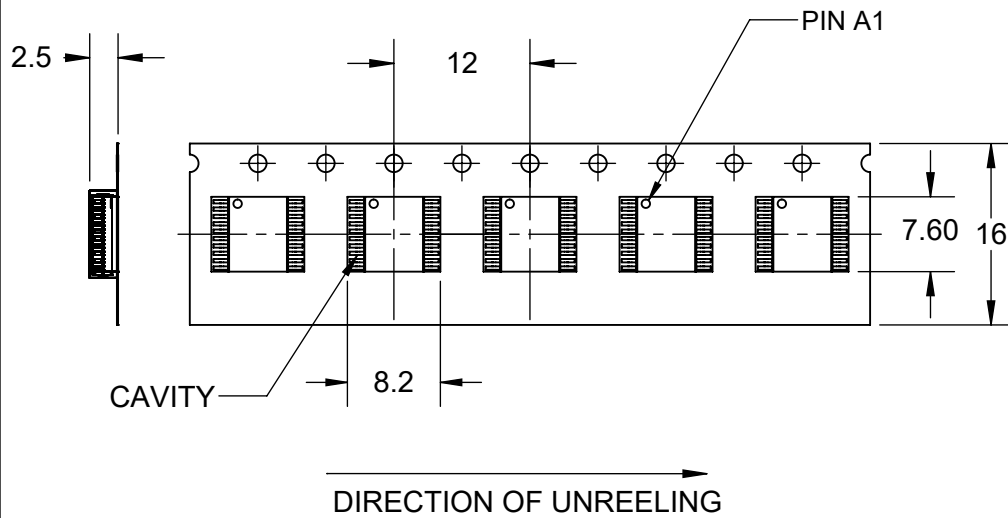


PART NUMBER	SHORTED PINS	NOTES	RoHS Pb-FREE	MSL LEVEL
SSOP20M25-T	N/A	DUMMY	YES	1
SSOP20M25-T-ISO	NONE	FULLY ISOLATED	YES	1
SSOP20M25-T-DE-D	1~2, 3~4, 5~6, 7~8, 9~10, 11~12, 13~14, 15~16, 17~18, 19~20	DAISY CHAIN	YES	1
SSOP20E25-T-DE-D	1~2, 3~4, 5~6, 7~8, 9~10, 11~12, 13~14, 15~16, 17~18, 19~20	DAISY CHAIN	YES	1

TopLine®			
TITLE SSOP20 OUTLINE PACKAGE			
SCALE NONE	SIZE A	DRAWING NO. 122009	REV A
DO NOT SCALE DRAWING			SHEET 3 OF 6

TAPE SPECIFICATION SSOP20 SURFACE MOUNT DEVICE

TAPE DIMENSIONS



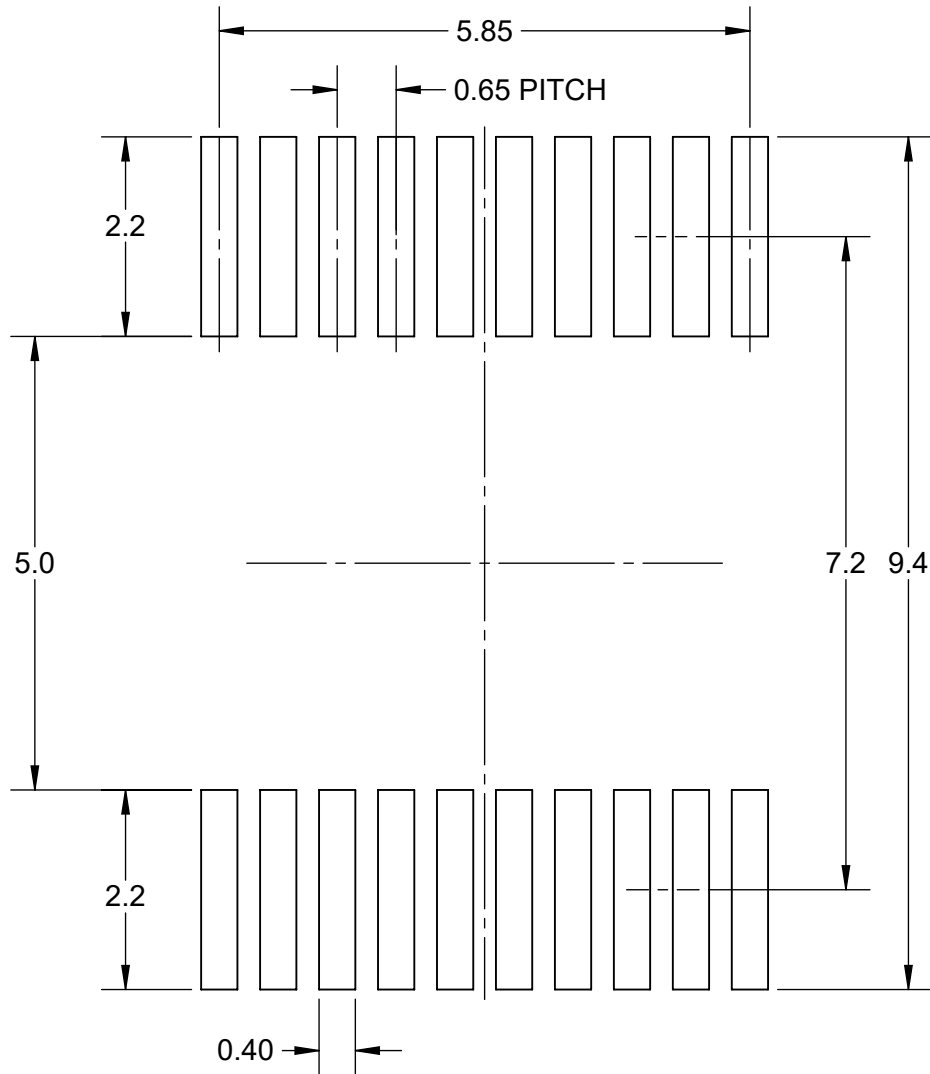
16mm TAPE
1000~2500 PCS

PRELIMINARY

ALL DIMENSIONS: mm.

TopLine®			
TITLE SSOP20 OUTLINE PACKAGE			
SCALE 3:2	SIZE A	DRAWING NO. 122009	REV A
DO NOT SCALE DRAWING			SHEET 4 OF 6

PCB BOARD LAND PATTERN

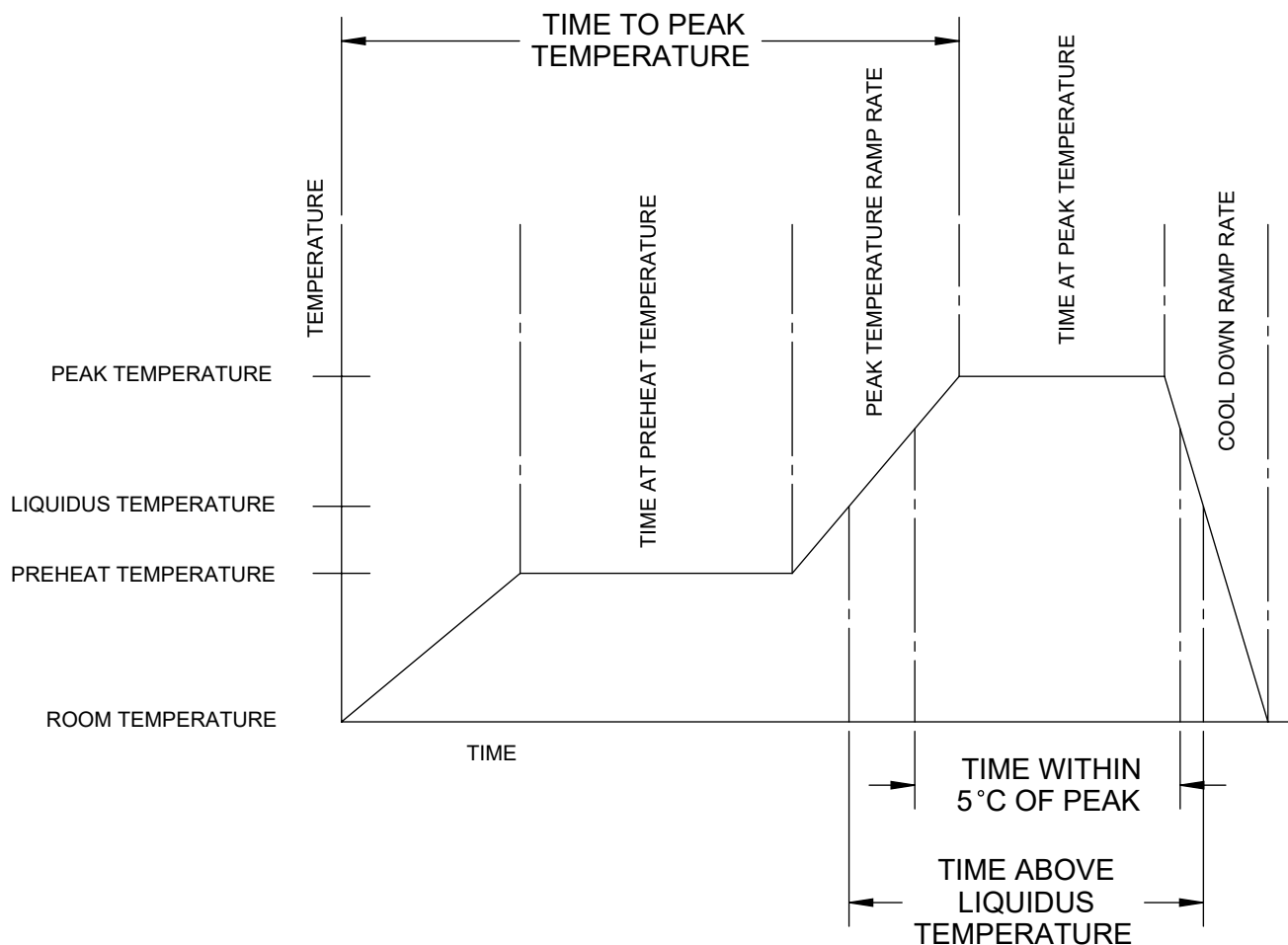


Notes: (Unless Otherwise Specified)

1. DIMENSIONS ARE IN mm.
2. PCB BOARD DIMENSIONS ARE PRESENTED ONLY AS A GUIDELINE.
3. DESIGNERS SHOULD USE THEIR OWN EXPERIENCE WHEN DESIGNING PCB.

TopLine®			
TITLE		SSOP20 OUTLINE PACKAGE	
SCALE	SIZE	DRAWING NO.	REV
12:1	A	122009	A
DO NOT SCALE DRAWING			SHEET 5 OF 6

LEAD FREE REFLOW PROFILE OF SMD PACKAGE



DESCRIPTION	REQUIREMENT
AVERAGE PREHEAT RAMP RATE	3°C /SECOND MAXIMUM
PREHEAT TEMPERATURE	150°C MINIMUM, 200°C MAXIMUM
PREHEAT TIME	60 TO 80 SECONDS
RAMP TO PEAK	3°C /SECOND MAXIMUM
TIME OVER LIQUIDUS (217°C)	60 TO 150 SECONDS
PEAK TEMPERATURE	260°C +0/-5°C
TIME WITHING 5°C OF PEAK	20 TO 40 SECONDS
RAMP - COOL DOWN	6°C /SECONDS MAXIMUM
TIME 25°C TO PEAK	6 MINUTES MAXIMUM



TITLE		SSOP20 OUTLINE PACKAGE	
SCALE	SIZE	DRAWING NO.	REV
NONE	A	122009	A
DO NOT SCALE DRAWING			SHEET 6 OF 6