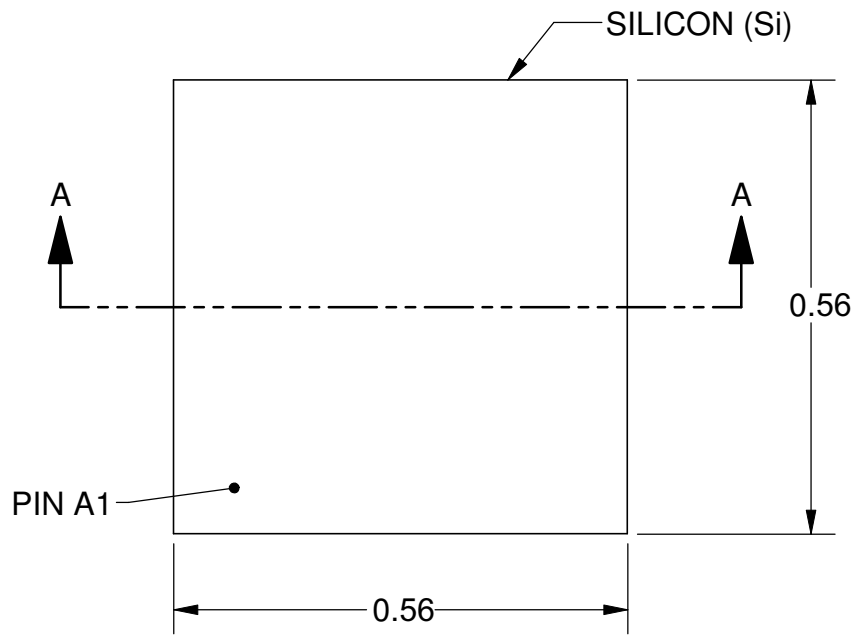
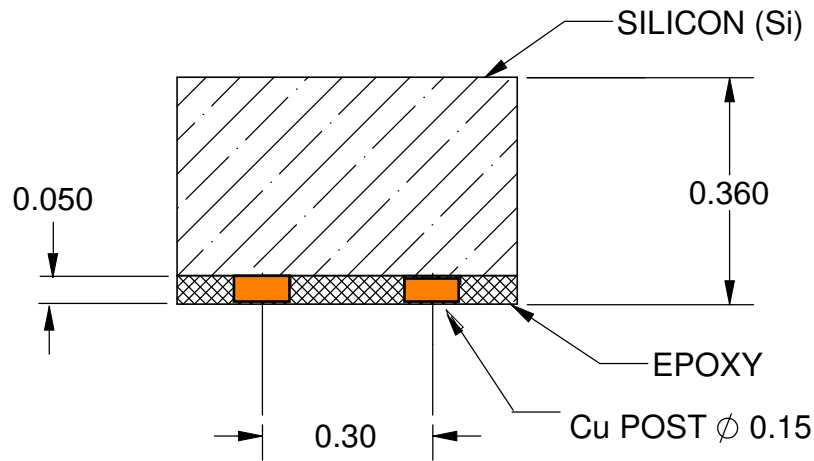
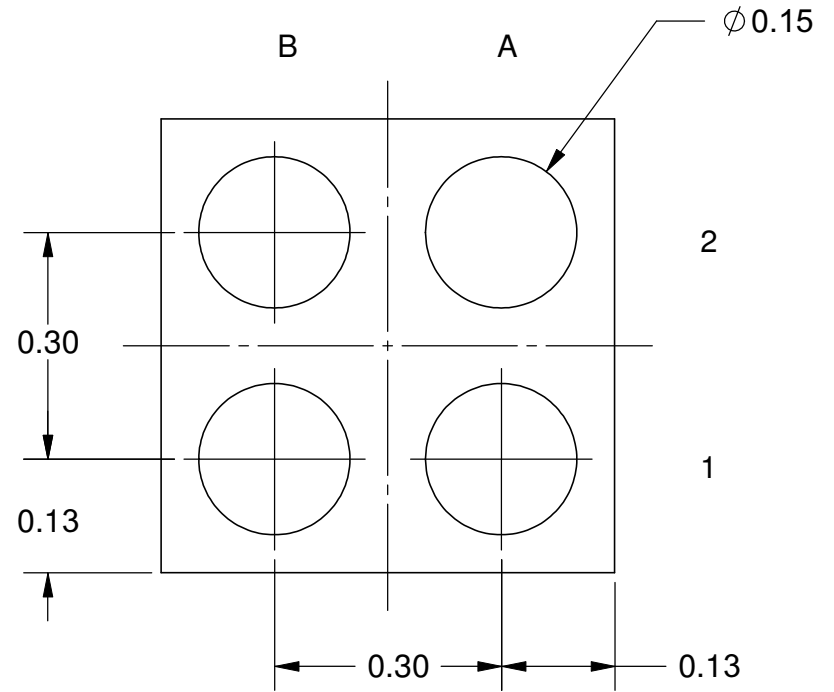


TOP VIEW



PAD VIEW



SECTION A-A
SCALE 75 : 1

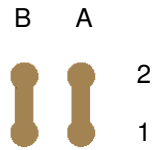
Notes: (Unless Otherwise Specified).

- 1) ALL DIMENSIONS ARE IN MM.
- 2) PAD ALLOY: Cu (50um Thick)
- 3) PAD Cu DIAMETER: 0.15mm.
- 4) DIE MATERIAL: Si (SILICON).
- 5) DAISY CHAIN PATTERN (SEE PAGE 2).

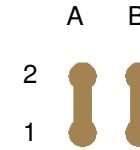
| | | | | | | | | | | | | | |
|--|-----------|------------------------|--|-----------|--|--|--|--------|--|-------|--|-----|--|
| TOLERANCE UNLESS NOTED | | APPROVALS | | DATE | | TopLine [®] TITLE eWLP4T.3-DC022D3 4-L P=0.3mm (TEG0306) | | | | | | | |
| X.X | +/- 0.3 | DRAWN J. Hines | | 1/15/2011 | | | | | | SCALE | | REV | |
| X.XX | +/- 0.03 | | | | | | | | | 100:1 | | A | |
| X.XXX | +/- 0.003 | ENG | | MFG | | DRAWING NO. | | 730220 | | | | | |
| ANGLES +/- 0.5° | | QA | | CUST | | REV | | A | | | | | |
| ALL DIMENSIONS IN <input type="checkbox"/> INCHES <input checked="" type="checkbox"/> MILLIMETERS | | THIRD ANGLE PROJECTION | | REVISED | | DO NOT SCALE DRAWING | | | | | | | |
| | | | | | | SHEET 1 OF 2 | | | | | | | |

DAISY CHAIN PATTERN

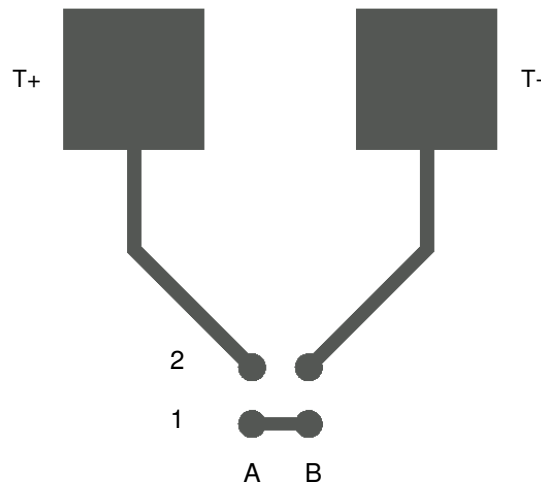
PAD VIEW



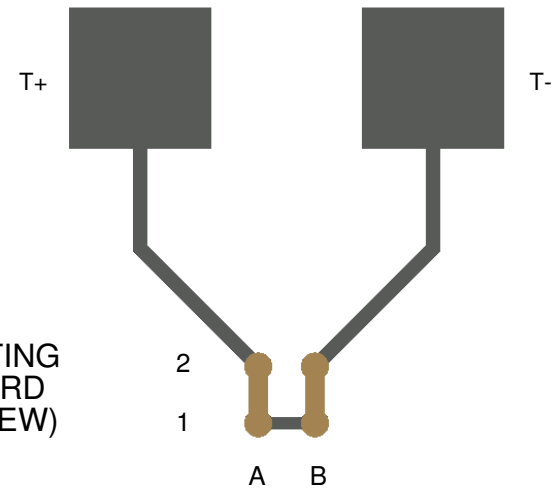
BOTTOM SIDE
(TOP X-RAY VIEW)



TOP VIEW



AFTER MOUNTING
TO TEST BOARD
(TOP X-RAY VIEW)



TEST VEHICLE BOARD

Notes:

- 1) PCB BOARD DIMENSIONS ARE PRESENTED ONLY AS A GUIDELINE. DESIGNERS SHOULD USE THEIR OWN EXPERIENCE WHEN DESIGNING PCB.

| | | | |
|---|-----------|-----------------------|----------|
| TopLine ® | | | |
| TITLE eWLP4T.3-DC022D3 4-L P=0.3mm (TEG0306) | | | |
| SCALE 25:1 | SIZE A | DRAWING NO. 730220 | REV A |
| DO NOT SCALE DRAWING | | SHEET 2 OF 2 | |