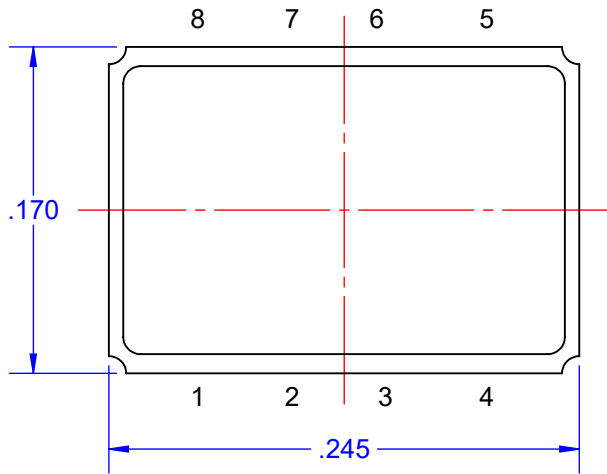
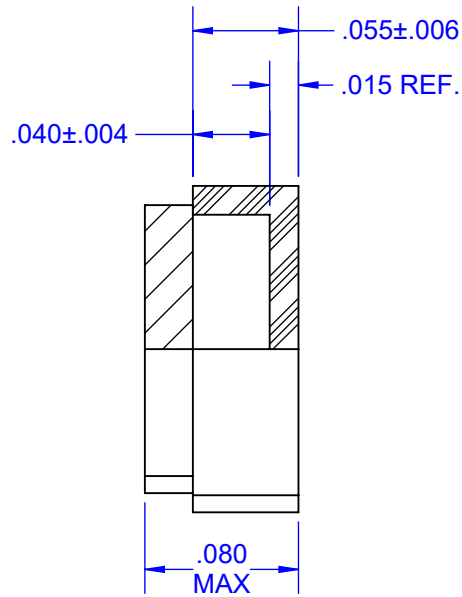


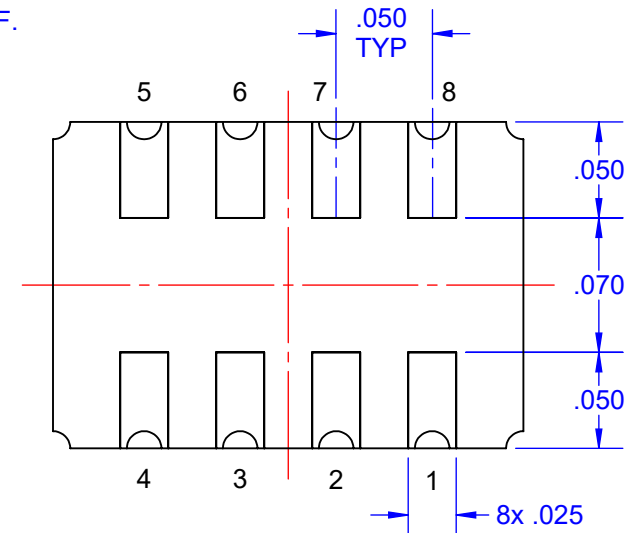
**TOP**



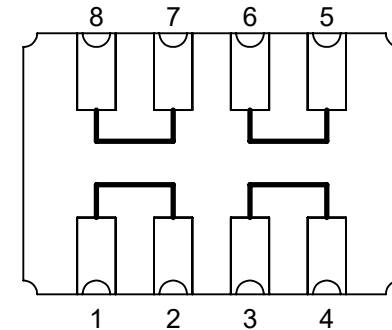
**SIDE**



**BOTTOM**



**DAISY CHAIN (OPTIONAL)  
VIEWED FROM TOP**



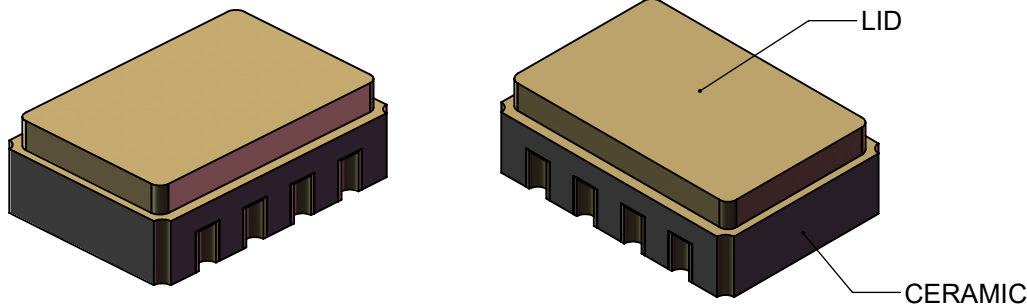
PART NUMBER	LID	PLATING	DAISY CHAIN
LCC8B50R.17x.25-N	OPEN	NiAu	NO
LCC8B50R.17x.25	SEALED	NiAu	NO
LCC8B50R.17x.25-SC	SEALED	SnPb	NO
LCC8B50R.17x.25-DE	SEALED	NiAu	YES
LCC8B50R.17x.25-DE-SC	SEALED	SnPb	YES

Notes: (Unless Otherwise Specified).

1) PLATING:

Ni 80 MICRO-INCH (2.0µm) MIN.

Au 60 MICRO-INCH (1.5µm) MIN.



APPROVALS	DATE	<b>TopLine®</b>			
DRAWN T. Au	9/17/2022	TITLE <b>LCC8 CERAMIC</b>			
ENG M. Hart	9/17/2022				
MFG		SCALE 10:1	SIZE A	DRAWING NO. 184363	REV A
QA		DO NOT SCALE DRAWING		SHEET 1 OF 1	
CUST					
REVISED					