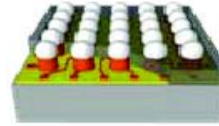




Contact: sales@topline.tv

# WLP Series

Wafer Level CSP with Daisy Chain  
Maximum Ball Count



[www.topline.tv/WLP.html](http://www.topline.tv/WLP.html)

8-Inch WL-CSP Daisy Chain wafer can be sawn to a variety of sizes

Pitch 0.3mm			
Ball Count	Row Matrix	DC Dwg	Body +/-0.03mm
16	4x4	DC048	1.2 mm
36	6x6	DC067	1.8 mm
64	8x8	DC088	2.4 mm
100	10x10	DC108	3.0 mm
144	12x12	DC127	3.6 mm
196	14x14	DC148	4.2 mm
256	16x16	DC168	4.8 mm
324	18x18	DC188	5.4 mm
400	20x20	DC208	6.0 mm
484	22x22	DC228	6.6 mm
576	24x24	DC248	7.2 mm
676	26x26	DC260	7.8 mm
784	28x28	DC288	8.4 mm
900	30x30	DC307	9.0 mm
1024	32x32	DC328	9.6 mm
1156	34x34	DC348	10.2 mm
1296	36x36	DC368	10.8 mm
1444	38x38	DC388	11.4 mm
1600	40x40	DC408	12.0 mm
1764	42x42	DC428	12.6 mm
1936	44x44	DC448	13.2 mm
2116	46x46	DC468	13.8 mm
2304	48x48	DC488	14.4 mm
2500	50x50	DC508	15.0 mm
4900	70x70	DC708	21.0 mm
5776	76x76	DC768	22.8 mm
7056	84x84	DC848	25.2 mm

Yellow = Standard

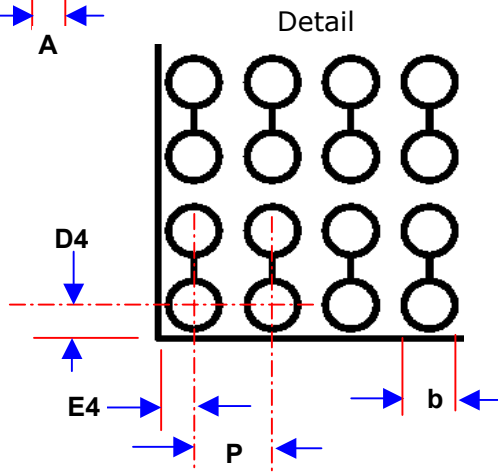
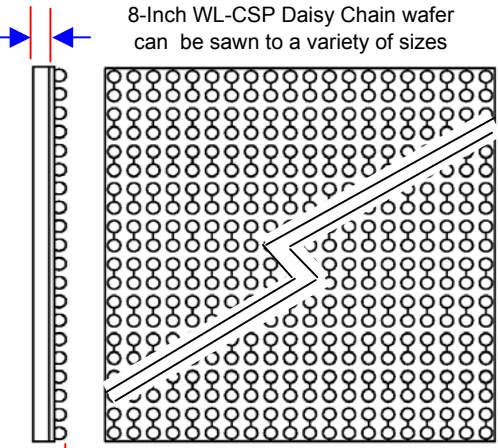
Pitch 0.4mm			
Ball Count	Row Matrix	DC Dwg	Body +/-0.03mm
16	4x4	DC048	1.6 mm
36	6x6	DC067	2.4 mm
64	8x8	DC088	3.2 mm
100	10x10	DC108	4.0 mm
144	12x12	DC127	4.8 mm
196	14x14	DC148	5.6 mm
256	16x16	DC168	6.4 mm
324	18x18	DC188	7.2 mm
400	20x20	DC208	8.0 mm
484	22x22	DC228	8.8 mm
576	24x24	DC248	9.6 mm
676	26x26	DC260	10.4 mm
784	28x28	DC288	11.2 mm
900	30x30	DC307	12.0 mm
1024	32x32	DC328	12.8 mm
1156	34x34	DC348	13.6 mm
1296	36x36	DC368	14.4 mm
1444	38x38	DC388	15.2 mm
1600	40x40	DC408	16.0 mm
1764	42x42	DC428	16.8 mm
1936	44x44	DC448	17.6 mm
2116	46x46	DC468	18.4 mm
2304	48x48	DC488	19.2 mm
2500	50x50	DC508	20.0 mm
3364	58x58	DC588	23.2 mm
3844	62x62	DC628	24.8 mm
4624	68x68	DC688	27.2 mm

Green = Standard

Pitch 0.5mm			
Ball Count	Row Matrix	DC Dwg	Body +/-0.03mm
16	4x4	DC048	2.0 mm
36	6x6	DC067	3.0 mm
64	8x8	DC088	4.0 mm
100	10x10	DC108	5.0 mm
144	12x12	DC127	6.0 mm
196	14x14	DC148	7.0 mm
256	16x16	DC168	8.0 mm
324	18x18	DC188	9.0 mm
400	20x20	DC208	10.0 mm
484	22x22	DC228	11.0 mm
576	24x24	DC248	12.0 mm
676	26x26	DC260	13.0 mm
784	28x28	DC288	14.0 mm
900	30x30	DC307	15.0 mm
1024	32x32	DC328	16.0 mm
1156	34x34	DC348	17.0 mm
1296	36x36	DC368	18.0 mm
1444	38x38	DC388	19.0 mm
1600	40x40	DC408	20.0 mm
1764	42x42	DC428	21.0 mm
1936	44x44	DC448	22.0 mm
2116	46x46	DC468	23.0 mm
2304	48x48	DC488	24.0 mm
2500	50x50	DC508	25.0 mm
2916	54x54	DC548	27.0 mm
3844	62x62	DC628	31.0 mm
4900	70x70	DC708	35.0 mm

Blue = Standard

400um



P	D4	E4	b	b'	A
Pitch			Solder Ball	Cu Pad	Height
0.3mm	0.13mm	0.13mm	0.20mm	0.15mm	0.57mm
0.4mm	0.18mm	0.18mm	0.25mm	0.20mm	0.61mm
0.5mm	0.23mm	0.23mm	0.30mm	0.25mm	0.64mm

Depopulated ball patterns available

WLP on 8-inch wafer	
WLP Size	Est Quantity
2 x 2mm	7,000
3 x 3mm	3,000
4 x 4mm	1,500
5 x 5mm	1,000
6 x 6mm	600
7 x 7mm	500
8 x 8mm	400
9 x 9 mm	300
10 x 10mm	230
11 x 11mm	180
12 x 12mm	150
13 x 13mm	130
14 x 14mm	110
15 x 15mm	100
16 x 16mm	85
17 x17mm	75
18 x 18mm	65
19 x 19mm	55
20 x 20mm	50
21 x 21mm	45
23 x 23mm	30
25 x 25mm	25
27 x 27mm	20
31 x 31mm	15
33 x 33mm	12
35 x 35mm	10

WLP 2" Waffle Pack	
WLP Size	Quantity
2 x 2mm	100
3 x 3mm	100
4 x 4mm	64
5 x 5mm	36
6 x 6mm	25
7 x 7mm	25
8 x 8mm	16
9 x 9 mm	16
10 x 10mm	9
11 x 11mm	9
12 x 12mm	9
13 x 13mm	9
14 x 14mm	4
15 x 15mm	4
16 x 16mm	4
17 x17mm	4
18 x 18mm	4
19 x 19mm	4
20 x 20mm	4
21 x 21mm	4
23 x 23mm	-
25 x 25mm	-
27 x 27mm	-
31 x 31mm	-
33 x 33mm	-
35 x 35mm	-

WLP 4" Waffle Pack	
WLP Size	Quantity
2 x 2mm	484
3 x 3mm	324~361
4 x 4mm	225
5 x 5mm	100
6 x 6mm	100
7 x 7mm	64
8 x 8mm	64
9 x 9 mm	49
10 x 10mm	49
11 x 11mm	36
12 x 12mm	36
13 x 13mm	36
14 x 14mm	25
15 x 15mm	25
16 x 16mm	16
17 x17mm	16
18 x 18mm	16
19 x 19mm	16
20 x 20mm	9
21 x 21mm	9
23 x 23mm	9
25 x 25mm	9
27 x 27mm	9
31 x 31mm	4
33 x 33mm	4
35 x 35mm	4

WLP JEDEC Tray	
WLP Size	Quantity
2 x 2mm	N/A
3 x 3mm	490
4 x 4mm	490
5 x 5mm	490
6 x 6mm	490
7 x 7mm	260
8 x 8mm	260
9 x 9 mm	260
10 x 10mm	168
11 x 11mm	176
12 x 12mm	189~198
13 x 13mm	160
14 x 14mm	119
15 x 15mm	126
16 x 16mm	119
17 x17mm	90
18 x 18mm	84
19 x 19mm	84
20 x 20mm	60
21 x 21mm	60
23 x 23mm	60
25 x 25mm	44
27 x 27mm	40
31 x 31mm	27
33 x 33mm	24
35 x 35mm	24