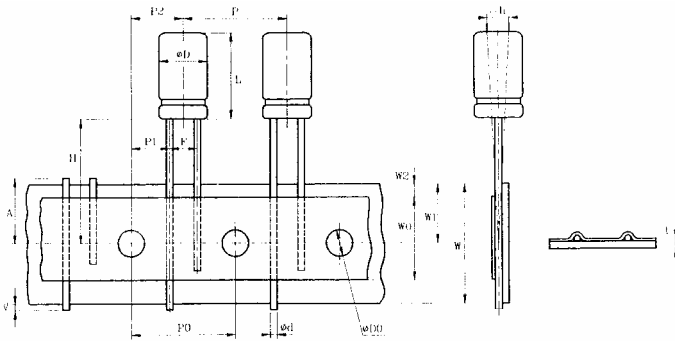


**Lead space 7.5mm**

**RADIAL AL Cap TAPING**

**Lead space 7.5mm**



● PACKAGING :

$\phi D$	Q'TY	BOX
16		300

Symbol	Dimension	Tolerance
	D $\phi$ 16	
P	30.0	+ 1.0
P <sub>0</sub>	15.0	+ 0.3
P <sub>2</sub>	7.5	+ 1.0
F (Pitch)	7.5mm	$\pm$ 5.0
$\Delta_h$	0	+ 2.0
W	18.0	+ 0.5
W <sub>0</sub>	12.5	min.
W <sub>1</sub>	9.0	+ 0.5
W <sub>2</sub>	2.0	max.
H	18.5	+ 0.75
$\ell$	2.0	2.0
$\phi D_0$	4.0	+ 0.2
t	0.7	+ 0.2
A	11.0	max.
$\phi d$	0.8	+ 0.05
L	26,31	