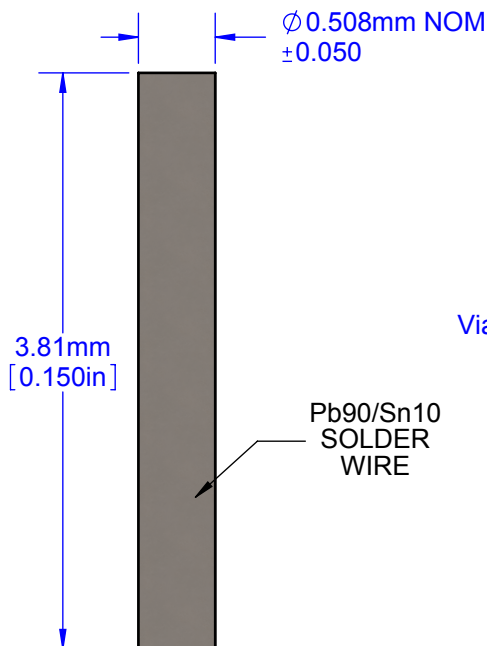
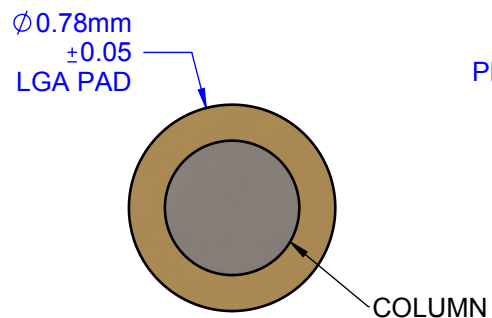
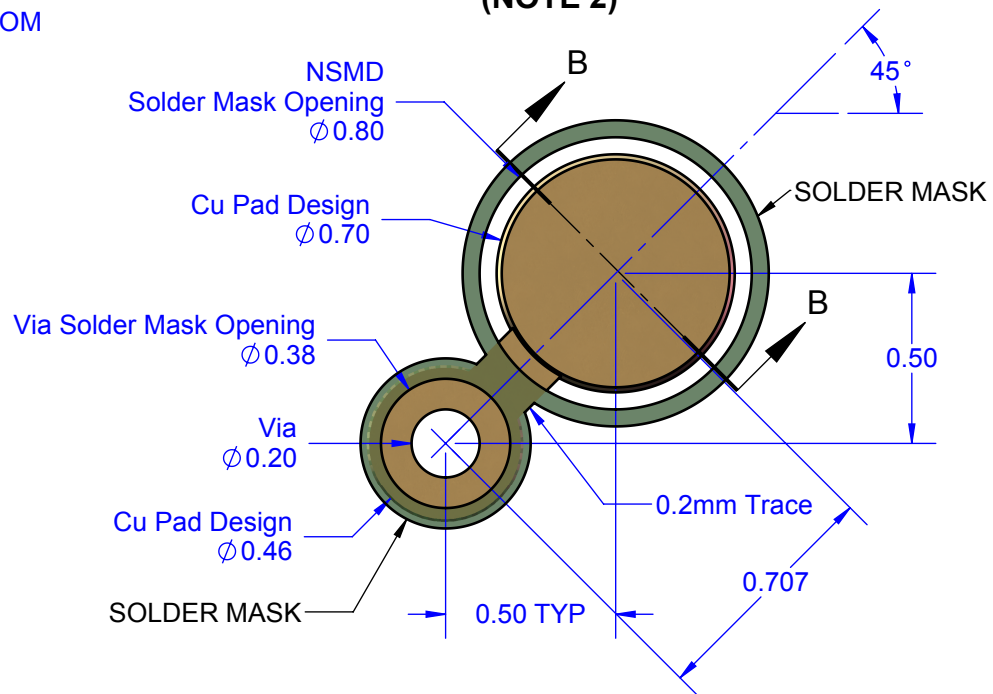


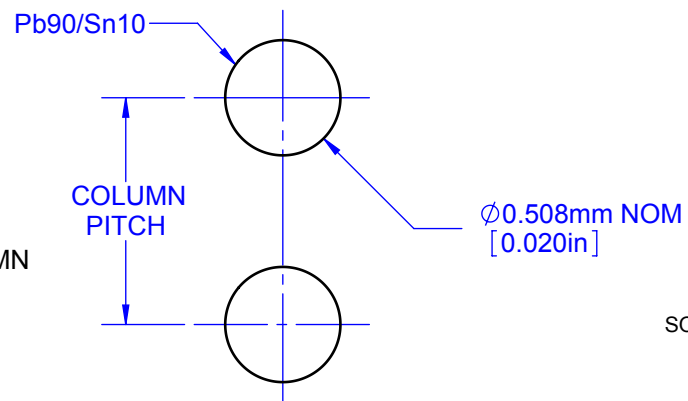
SECTION VIEW



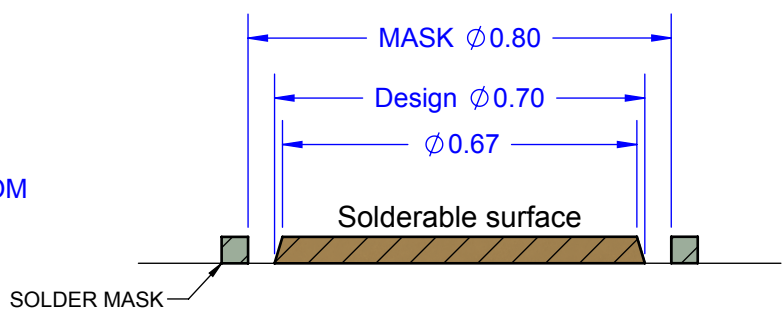
PCB LAND PATTERN (NOTE 2)



LGA - LAND GRID ARRAY PAD PLATING Ni-Au



Cu PAD SIDE VIEW PCB BOARD



Section B-B

Notes: (Unless Otherwise Specified).
 1) DIMENSIONS IN mm [INCHES].
 2) PCB BOARD DIMENSIONS ARE PRESENTED ONLY AS A GUIDELINE. DESIGNERS SHOULD USE THEIR OWN EXPERIENCE WHEN DESIGNING PCB.

APPROVALS	DATE	TopLine®		
DRAWN T.Au	01/06/15			
ENG M. Hart	01/06/15	TITLE CG9010U20x150 CCGA SOLDER COLUMN		
MFG		SCALE 20:1	SIZE A	DRAWING NO. 902097
QA				REV A
CUST				
REVISED		DO NOT SCALE DRAWING		SHEET 1 OF 1