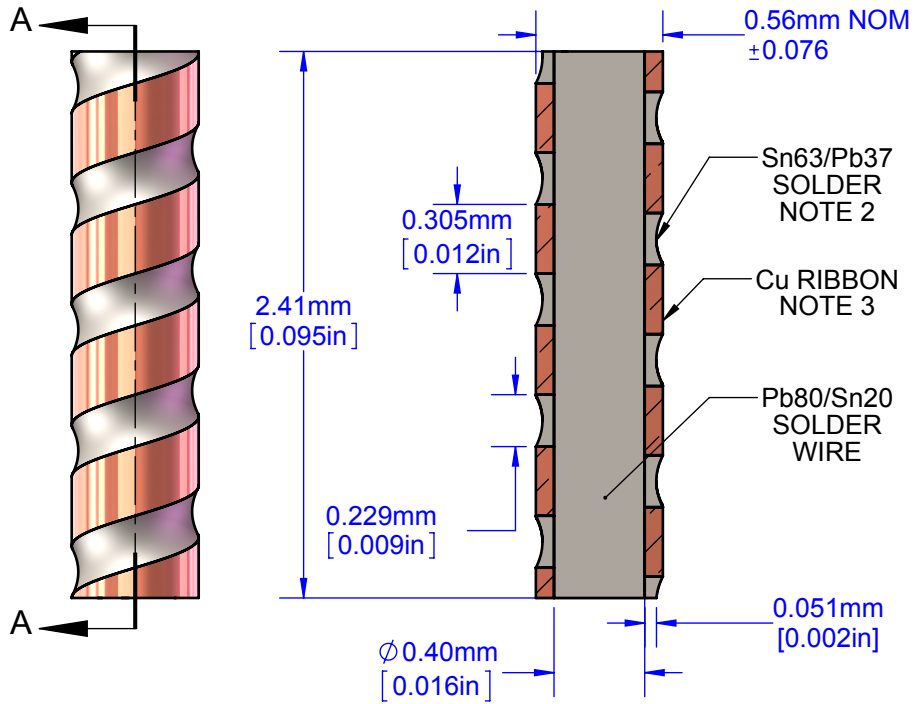
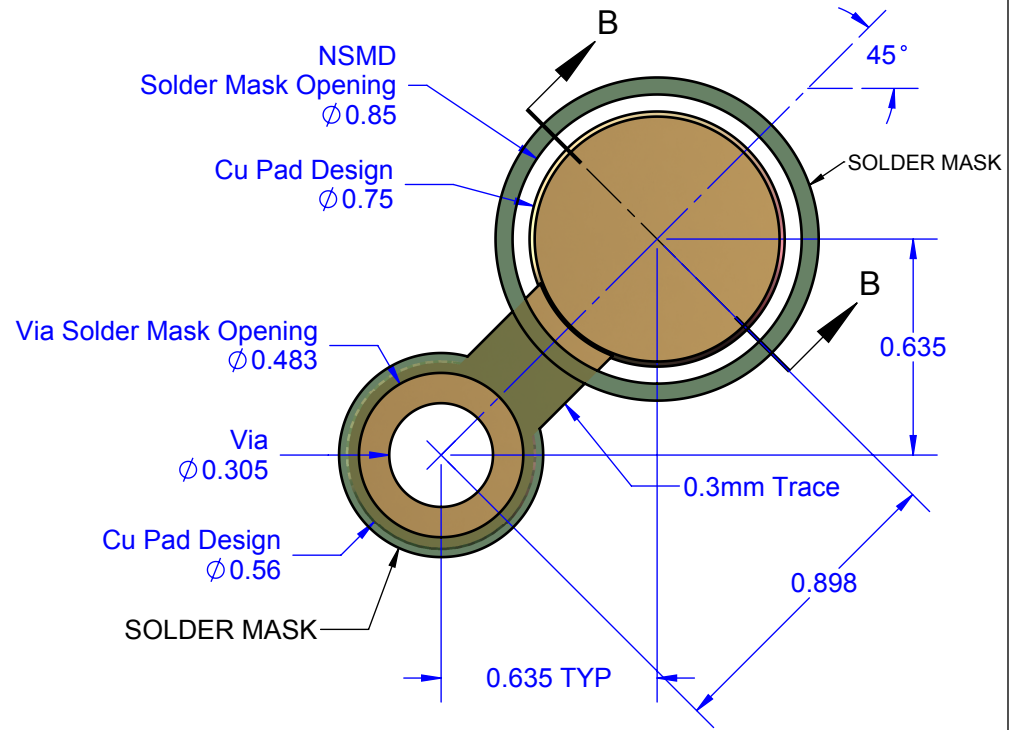


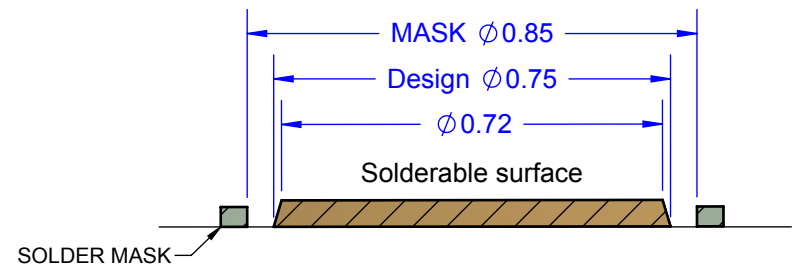
SECTION VIEW



PCB LAND PATTERN (NOTE 4)

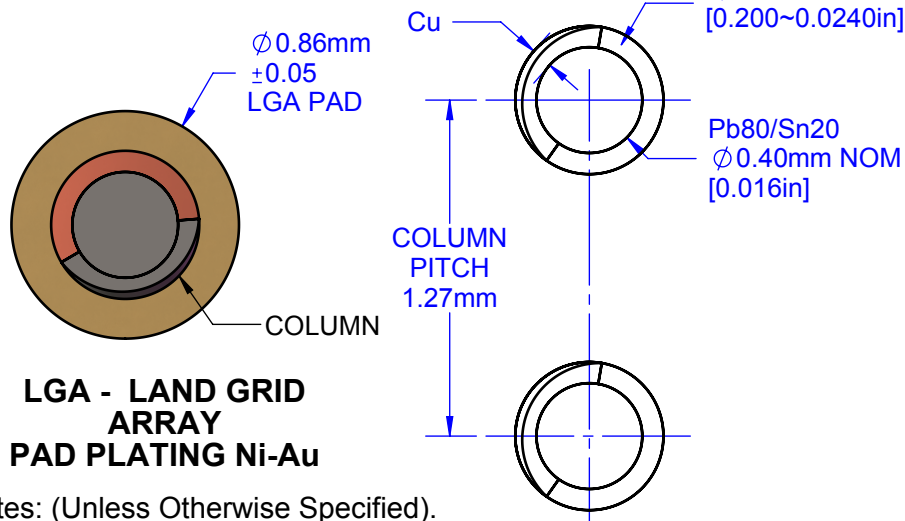


Cu PAD SIDE VIEW



Section B-B

APPROVALS	DATE	TopLine®			
DRAWN T.Au	02/18/15				
ENG M. Hart	02/18/15	TITLE CG8020C22x95 CCGA SOLDER COLUMN			
MFG		SCALE	SIZE	DRAWING NO.	REV
QA		30:1	A	802295	A
CUST		DO NOT SCALE DRAWING			SHEET 1 OF 1
REVISED					



LGA - LAND GRID ARRAY PAD PLATING Ni-Au

Notes: (Unless Otherwise Specified).

- 1) DIMENSIONS IN mm [INCHES].
- 2) THICKNESS Sn63/Pb37 SOLDER COAT 6~25µm [0.25~1.0mil].
- 3) Cu ALLOY C10100 - OFE (CDA-101). 99.99% PURE.
- 4) PCB BOARD DIMENSIONS ARE PRESENTED ONLY AS A GUIDELINE. DESIGNERS SHOULD USE THEIR OWN EXPERIENCE WHEN DESIGNING PCB.