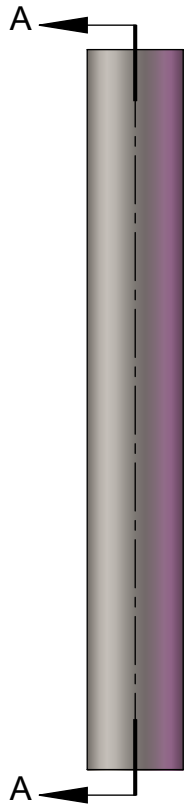
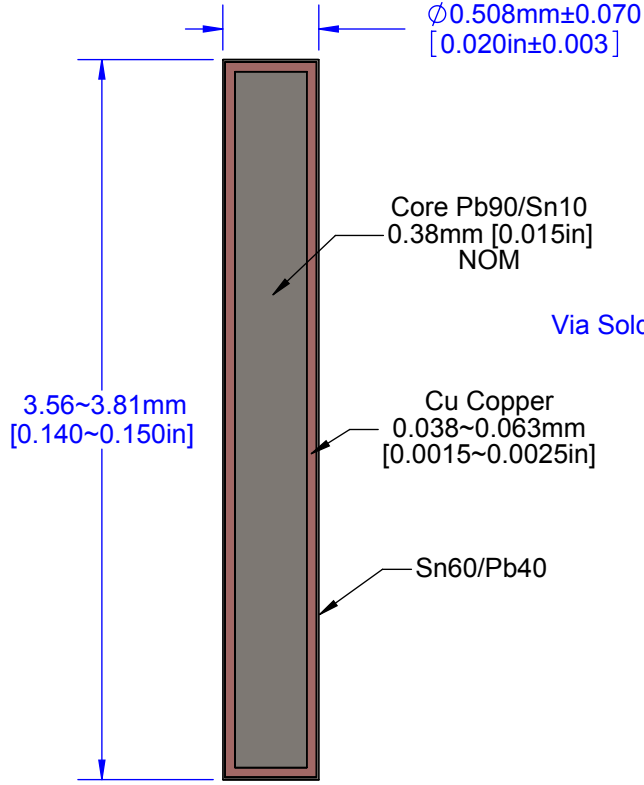


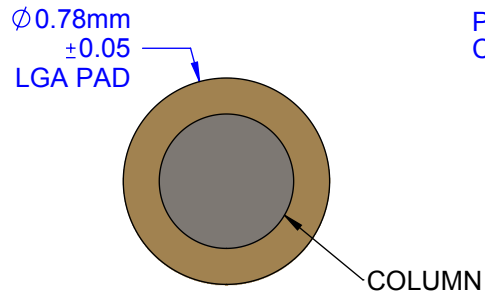
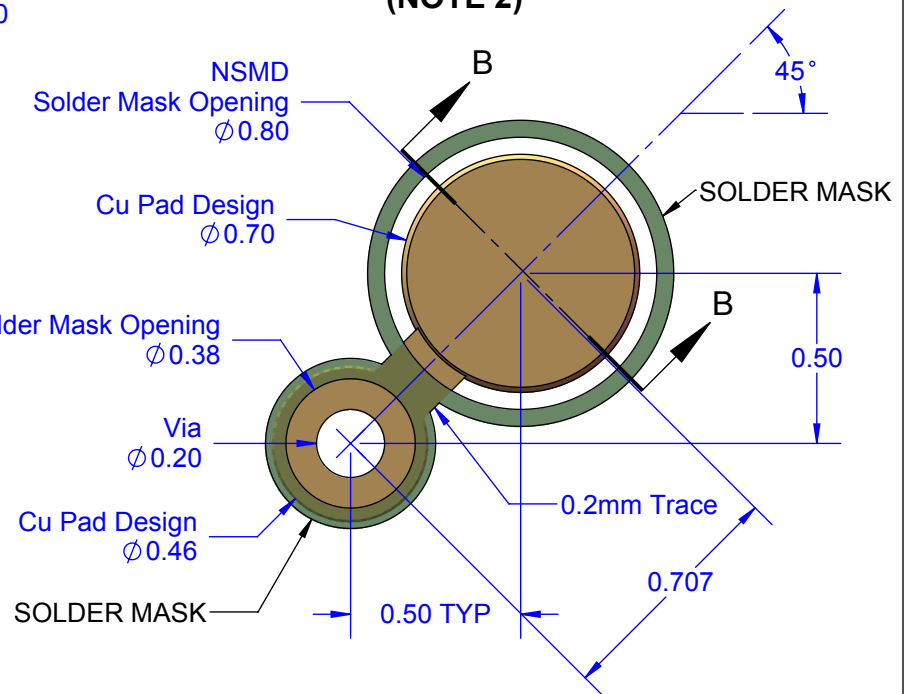
EXTERIOR VIEW



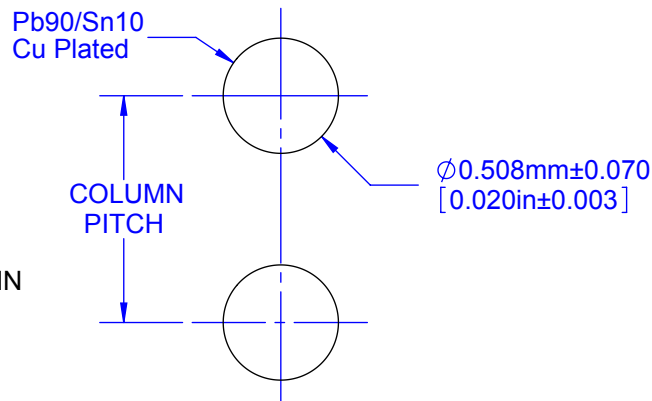
SECTION VIEW



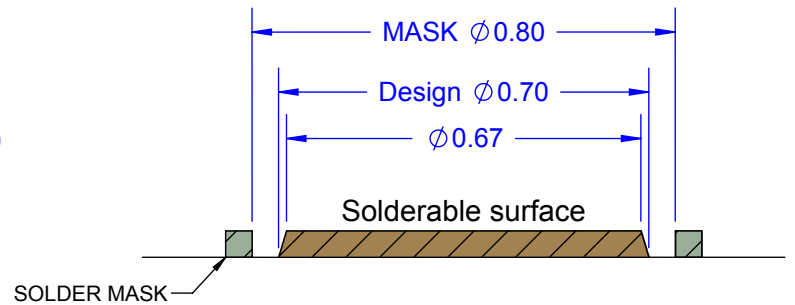
PCB LAND PATTERN (NOTE 2)



**LGA - LAND GRID ARRAY
PAD PLATING Ni-Au**



**Cu PAD SIDE VIEW
PCB BOARD**



Section B-B

Notes: (Unless Otherwise Specified).

- 1) DIMENSIONS IN mm [INCHES].
- 2) PCB BOARD DIMENSIONS ARE PRESENTED ONLY AS A GUIDELINE. DESIGNERS SHOULD USE THEIR OWN EXPERIENCE WHEN DESIGNING PCB.

APPROVALS	DATE	TopLine®		
DRAWN T.Au	12/22/14			
ENG M. Hart	12/22/14	TITLE CG9010E20x150 CCGA SOLDER COLUMN		
MFG		SCALE 25:1	SIZE A	DRAWING NO. 942097
QA				REV A
CUST				
REVISED		DO NOT SCALE DRAWING		SHEET 1 OF 1