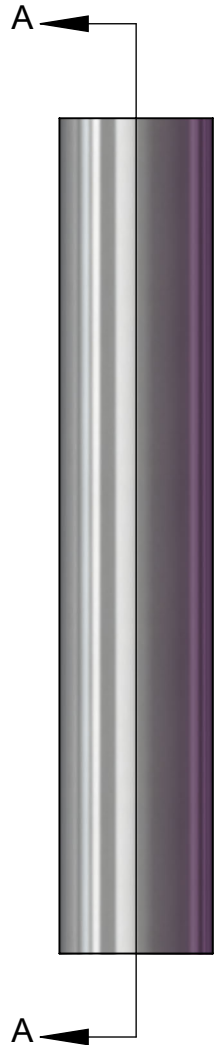
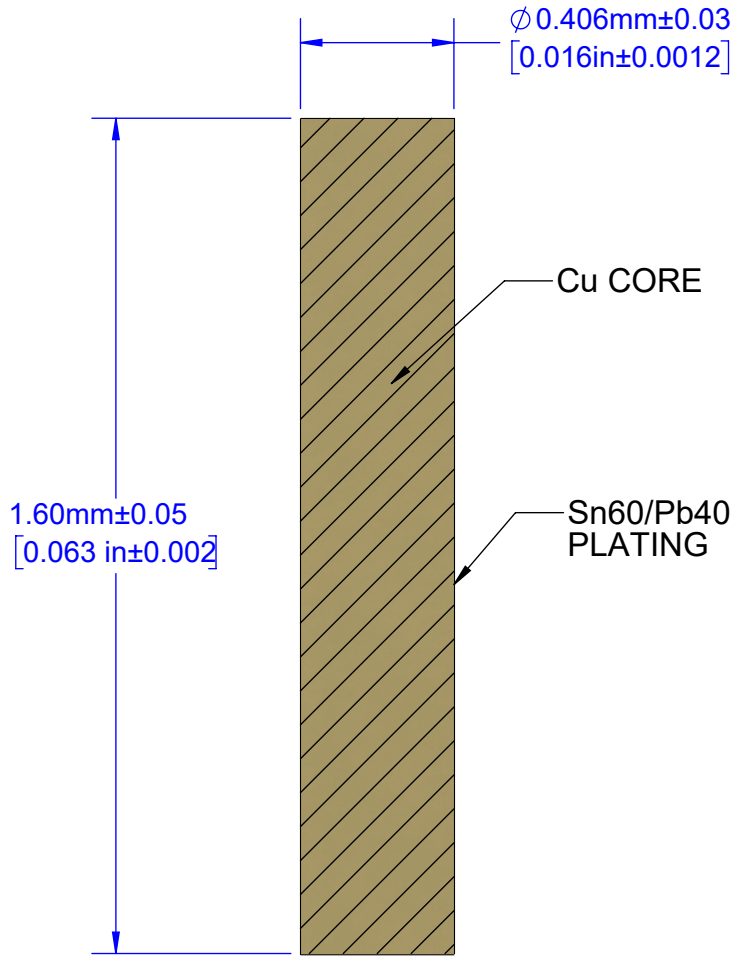


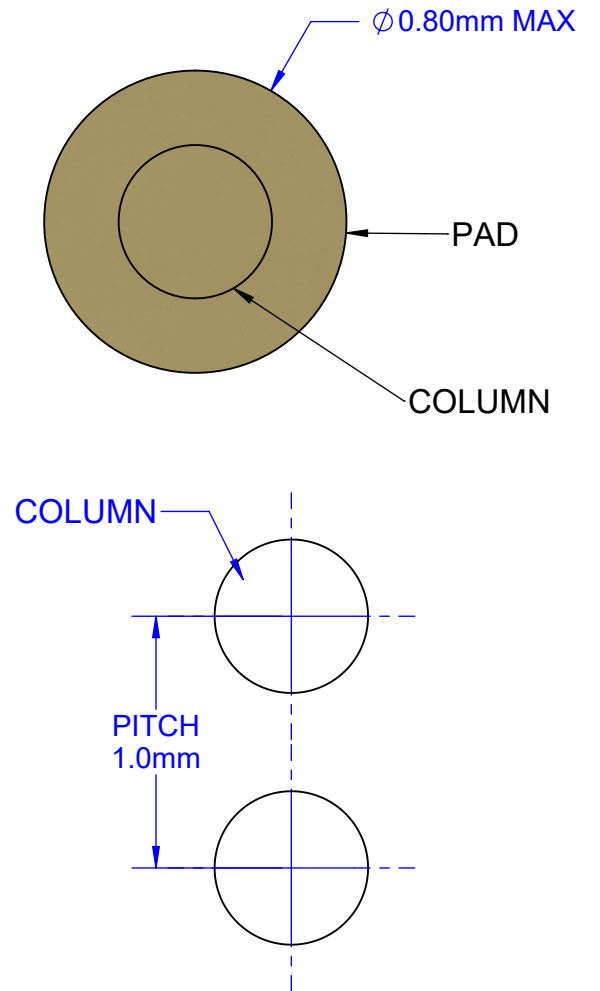
EXTERIOR VIEW



SECTION VIEW



CCGA - LAND PAD



END VIEW

- Notes: (Unless Otherwise Specified).
 1) DIMENSIONS IN mm [INCHES].
 2) MATERIAL: Cu COPPER ALLOY CDA101 OFE-OFHC.
 3) PLATING: Sn60/Pb40 3.0~5.0µm [100~200 MICRO-INCH].
 4) WIRE GAUGE: AWG26.

| | | | | | |
|-------------|----------|---|------|-------------|--------------|
| APPROVALS | DATE | TopLine® | | | |
| DRAWN T. Au | 01/13/18 | | | | |
| ENG M. Hart | 01/13/18 | TITLE CU101P16x63 CCGA COPPER COLUMN | | | |
| MFG | | SCALE | SIZE | DRAWING NO. | REV |
| QA | | 50:1 | A | 301663 | A |
| CUST | | DO NOT SCALE DRAWING | | | SHEET 1 OF 1 |
| REVISED | | | | | |